

MILLER®

by Honeywell



**With Miller
Rapid Replace
Lifeline**

**Avec le cordage
de sécurité à
remplacement
rapide de Miller**

**Con cuerda de
salvamento
Millerde rápido
reemplazo**

Miller DuraSeal™ Self-Retracting Lifelines

User Instruction Manual

Manuel D'utilisation / Manual de Instrucciones para El Usuario

Table of Contents

1.0 Purpose	3
2.0 DuraSeal SRL Series Specifications	4-6
3.0 General Requirements, Warnings and Limitations	7-8
4.0 System Compatibility	9
5.0 Installation/Use	10-11
6.0 Calculating Fall Clearance Distance.....	12-13
7.0 Inspection and Maintenance.....	14-16
8.0 Field Replaceable Lifeline	17-21
Product Labels.....	60-62
Inspection and Maintenance Log.....	63

Table des matières (Français)

1.0 Objectif	22
2.0 Caractéristiques techniques de la série CSAR DuraSeal.....	23-25
3.0 Exigences générales, avertissements et limitations	26-27
4.0 Compatibilité du système	28
5.0 Installation et utilisation	29-30
6.0 Calcul de la distance de dégagement de chute.....	31-32
7.0 Inspection et entretien	33-35
8.0 Cordage de sécurité remplaçable sur le terrain.....	36-40
Étiquettes sur les produits	60-62
Registre d'inspection et d'entretien.....	63

Tabla de contenidos (Español)

1.0 Objetivo	41
2.0 Especificaciones de la serie SRL DuraSeal	42-44
3.0 Requisitos generales, advertencias y restricciones.....	45-46
4.0 Compatibilidad del sistema.....	47
5.0 Instalación/Uso	48-49
6.0 Cálculo del espacio libre de caída.....	50-51
7.0 Inspección y mantenimiento	52-54
8.0 Cuerda de salvamento reemplazable en el lugar	55-59
Etiquetas del producto.....	60-62
Registro de inspección y mantenimiento.....	63

Thank You

Thank you for your purchase of Miller fall protection equipment manufactured by Honeywell Safety Products. Miller brand products are produced to meet the highest standards of quality at our ISO 9001 certified facility. Miller equipment will provide you with years of use when cared for properly.

WARNING

All persons using this equipment must read, understand and follow all instructions. Failure to do so may result in serious injury or death. Do not use this equipment unless you are properly trained.

Questions?

CALL
1.800.873.5242

It is crucial that the authorized person/user of this equipment read and understand these instructions. In addition, federal law requires employers to ensure that all users are trained in the proper installation, use, inspection, and maintenance of fall protection equipment. Fall protection training should be an integral part of a comprehensive safety program.

Proper use of fall arrest systems can save lives and reduce the potential of serious injuries from a fall. The user must be aware that forces experienced during the arrest of a fall or prolonged suspension may cause bodily injury. Consult a physician if there is any question about the user's ability to use this product. Pregnant women and minor children must not use this product.

1.0 Purpose

The Miller DuraSeal Self-Retracting Lifeline (SRL) is designed to perform in the harshest environments, including onshore and offshore oil and gas, mining and petrochemical. The sealed technology, reusable brake system, field replaceable lifeline, and corrosion-resistant materials keep the product in the field where it's needed.



2.0 DuraSeal SRL Series Specifications

2.1 Identification of Components

SEALED SRL DESIGN

- Protects the brake system, power spring, and bearings
- Ensures peak performance in all work environments
- Increases service life of the unit
- Meets IP68 & IP69K sealing ratings

ERGONOMIC CARRYING HANDLE / SECONDARY TETHER ANCHORAGE CONNECTION

- Well-balanced, comfortable, ease of transporting
- Approved for use with a secondary tether line or device, such as the cable sling

MILLER RAPID REPLACE LIFELINE

- Field replaceable lifeline allows for quick, low-cost repair by the user/competent person
- Keeps the SRL in the field

LOCKING SWIVEL SNAP HOOK WITH LOAD INDICATOR

- Plated steel or stainless steel options
- 3,600 lb. (16kN) gate load strength meets the most recent industry standards
- Swivel minimizes lifeline twisting
- Clear and concise visual indicator alerts user when the unit has been exposed to fall arrest forces

ANCHORAGE

ATTACHMENT OPTIONS

- Stainless steel, rotating anchor loop
- Stainless steel mounting plate (available on some models)

ALUMINUM AND STAINLESS STEEL HOUSING

- Durable, corrosion-resistant construction

CABLE LIFELINE WITH ERGONOMIC LIFELINE GRIP

- Available in galvanized steel or stainless steel
- Safely, comfortably handle the lifeline when making connections

ULTRA HIGH-FREQUENCY RFID

- Allows for asset tracking and simplified inspections
- Integrated into lifeline grip to allow for quick field inspections

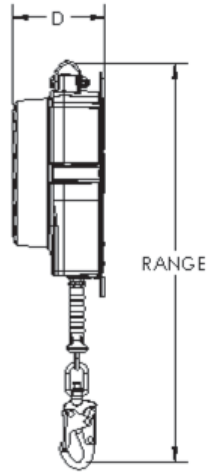
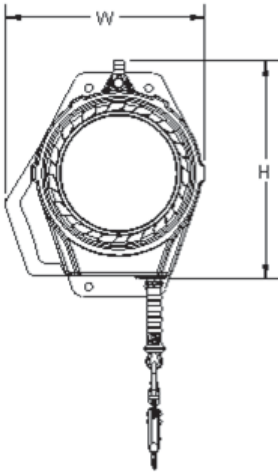
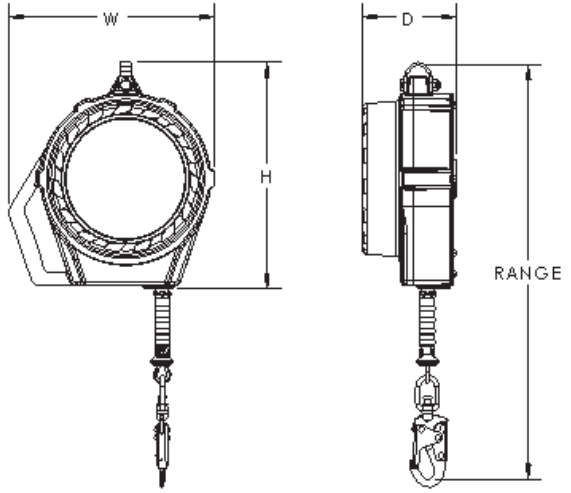


2.2 Models, Specifications and Dimensions

Miller DuraSeal™ Self-Retracting Lifeline Series				
Models	Length	Cable Material*	Snap Hook Material*	Weight
Sealed SRL with 4-ft. (1.2m) cable sling, tagline and two (2) carabiners				
SSRL50G1	50 ft. (15m)	3/16-in. (5mm) Galvanized Steel	Plated Steel	27.3 lbs. (12kg)
SSRL50S1		3/16-in. (5mm) Stainless Steel	Stainless Steel	
SSRL100G1	100 ft. (30m)	3/16-in. (5mm) Galvanized Steel	Plated Steel	59.7 lbs. (27kg)
SSRL100S1		3/16-in. (5mm) Stainless Steel	Stainless Steel	
SSRL130G1	130 ft. (40m)	3/16-in. (5mm) Galvanized Steel	Plated Steel	61.7 lbs. (28kg)
SSRL130S1		3/16-in. (5mm) Stainless Steel	Stainless Steel	
SSRL175G1	175 ft. (53m)	3/16-in. (5mm) Galvanized Steel	Plated Steel	76.5 lbs. (35kg)
SSRL175S1		3/16-in. (5mm) Stainless Steel	Stainless Steel	
Sealed SRL with 4-ft. (1.2m) cable sling, tagline, two (2) carabiners and 4-hole mounting plate				
SSRL100G2	100 ft. (30m)	3/16-in. (5mm) Galvanized Steel	Plated Steel	61 lbs. (28kg)
SSRL100S2		3/16-in. (5mm) Stainless Steel	Stainless Steel	
SSRL130G2	130 ft. (40m)	3/16-in. (5mm) Galvanized Steel	Plated Steel	63 lbs. (29kg)
SSRL130S2		3/16-in. (5mm) Stainless Steel	Stainless Steel	
SSRL175G2	175 ft. (53m)	3/16-in. (5mm) Galvanized Steel	Plated Steel	77.9 lbs. (35kg)
SSRL175S2		3/16-in. (5mm) Stainless Steel	Stainless Steel	
<i>*Other materials of construction include: cast aluminum housing, stainless steel lockup mechanism, stainless steel springs, wear-resistant nylon entry guide, and stainless steel mounting plate.</i>				

Miller DuraSeal™ Accessory Equipment		
Models	Description	Weight
SSRLTRK	Tether Replacement Kit/Cable Sling (includes stainless steel carabiner)	3.8 lbs. (1.7kg)
SSRLC	Stainless Steel Carabiner	0.47 lbs. (0.21kg)
17D-1/	Plated Steel Carabiner	0.5 lbs. (0.22kg)

DuraSeal SRL



DuraSeal SRL
with 4-hole
mounting plate

Unit Dimensions			
	H	W	D
50 ft. <i>(15m)</i>	12.8 in. <i>(325mm)</i>	11.8 in. <i>(300mm)</i>	4.9 in. <i>(125mm)</i>
100 ft. <i>(30m)</i>	15.7 in. <i>(399mm)</i>	14.4 in. <i>(366mm)</i>	6.6 in. <i>(168mm)</i>
130 ft. <i>(40m)</i>	15.7 in. <i>(399mm)</i>	14.4 in. <i>(366mm)</i>	6.6 in. <i>(168mm)</i>
175 ft. <i>(53m)</i>	15.7 in. <i>(399mm)</i>	14.4 in. <i>(366mm)</i>	7.8 in. <i>(198mm)</i>

3.0 General Requirements, Warnings and Limitations

3.1 General Fall Protection Requirements

All warnings and instructions shall be provided to authorized persons/users.

All authorized persons/users must reference the regulations governing occupational safety, as well as applicable ANSI or CSA standards. Please refer to product labeling for information on specific OSHA regulations, and ANSI and CSA standards met by product.

Proper precautions should always be taken to remove any obstructions, debris, material, or other recognized hazards from the work area that could cause injuries or interfere with the operation of the system.

All equipment must be inspected before each use according to the manufacturer's instructions.

All equipment should be inspected by a qualified person on a regular basis.

To minimize the potential for accidental disengagement, a competent person must ensure system compatibility.

Equipment must not be altered in any way. Repairs must be performed only by the manufacturer, or persons or entities authorized in writing by the manufacturer, with the exception of the field replaceable lifeline (see 8.0).

Any product exhibiting deformities, unusual wear, or deterioration must be immediately discarded.

Any equipment subject to a fall must be removed from service.

The authorized person/user shall have a rescue plan and the means at hand to implement it when using this equipment.

Never use fall protection equipment for purposes other than those for which it was designed. Fall protection equipment should never be used for towing or hoisting.

Environmental hazards should be considered when selecting fall protection equipment. Equipment must not be exposed to environmental hazards and chemicals which may produce a harmful effect. Use in a corrosive or caustic environment dictates a more frequent inspection and servicing program to ensure the integrity of the device is maintained.

Do not allow equipment to come in contact with anything that will damage it including, but not limited to, sharp, abrasive, rough or high-temperature surfaces, welding, heat sources, electrical hazards, or moving machinery.

Do not expose the equipment to any hazard which it is not designed to withstand. Consult the manufacturer in cases of doubt.

Always check for obstructions below the work area to make sure potential fall path is clear.

Allow adequate fall clearance below the work surface.

Never remove product labels, which include important warnings and information for the authorized person/user.

3.2 Warnings and Limitations

Capacity*

For use by ONE person only. Maximum capacity is 420 lbs. (190.5 kg), including body weight, clothing and tools.

**If the system is used by an employee having a combined tool and body weight between 310 lbs. (140.6 kg) and 420 lbs. (190.5 kg), then the employer must appropriately modify the criteria and protocols to provide proper protection for such heavier weights, or the system will not be deemed to be in compliance with the requirements of OSHA 1926.502(d)(16). [ANSI capacity range is 130 lbs. - 310 lbs. (59kg-140.6kg).]*

Limits of Use

Anchor device vertically overhead. For the purposes of this instruction manual, an overhead application implies that there is no slack in the lifeline when the unit is mounted above the user and connected to the user's back D-ring.

Never work above the device.

This device is not suitable for horizontal/leading edge or horizontal lifeline applications.

The device shall be installed and used in such a manner as to minimize the potential for a swing fall. User must never be exposed to a swing fall hazard.

Do not allow lifeline to become slack.

Never use this device as a restraint or positioning device.

Anchorage Requirements

The anchorage must be capable of supporting 5,000 lbs. (22.2kN) per worker; or it must be designed, installed, and used under the supervision of a qualified person as part of a complete fall arrest system which maintains a safety factor of two.

ANSI anchorage requirements are as follows:

- For fall arrest systems, anchorages must withstand a static load of 5,000 lbs (22.2kN) for non-certified anchorages or two times the maximum arresting force for certified anchorages.
- When more than one personal fall arrest system is attached to an anchorage, the above anchorage strengths must be multiplied by the number of personal fall arrest systems attached to the anchorage.

Free Fall

Personal fall arrest systems must be rigged to limit a free fall to the shortest possible distance [6ft (1.8m) maximum].

Fall Arrest Forces

Miller DuraSeal SRLs are designed with a built-in shock absorber to limit potential fall arrest forces to 900 lbs. (4kN) average and 1,800 lbs. (8kN) maximum.

Lifeline Retraction and Lockup

Do not use the device if it does not retract. Always maintain tension on the lifeline while retracting.

Device must be tested for locking before each use. Do not use the device if the brakes do not engage.

Maintenance and Servicing

Do not lubricate this device.

Self-retracting lifelines must be removed from service if any part of the system appears to be damaged or does not pass inspection, or if the unit has been subjected to the forces of arresting a fall.

Do not attempt to service this device with the exception of the field replaceable lifeline. If a self-retracting lifeline does not operate properly or requires repairs to components other than the lifeline, return the device to the equipment manufacturer, or service center authorized in writing by the manufacturer, for repairs.

4.0 System Compatibility

Miller self-retracting lifelines are designed for use with Honeywell-approved components only. Substitution or replacement with non-approved component combinations or subsystems or both may affect or interfere with the safe function of each other and endanger the compatibility within the system. This incompatibility may affect the reliability and safety of the total system.

4.1 Personal Fall Arrest System Components

Three key components of the Personal Fall Arrest System (PFAS) need to be in place and properly used to provide maximum worker protection.

A NCHORAGE/ANCHORAGE CONNECTOR

The first component is the anchorage/anchorage connector. The anchorage, also referred to as the anchor point or tie-off point, is a secure point of attachment, such as an I-beam or other support structure. An anchorage connector, such as a cross-arm strap or D-bolt anchor, is sometimes necessary to make a compatible connection between the connecting device and the anchorage.

B ODY WEAR

The second system component is the personal body support worn by the worker while performing the job. The only form of body wear acceptable for fall arrest is the full-body harness. Full-body harnesses are designed to distribute fall forces and must be worn in all situations where workers are exposed to a potential free fall.

C ONNECTING DEVICE

The third component of the system is the connecting device, the critical link which joins the body wear to the anchorage/anchorage connector. The most important feature of the connecting device is the shock absorber. Whether the connecting device is a shock-absorbing lanyard or self-retracting lifeline, it is designed to dramatically reduce fall arrest forces.

Individually, none of these components will provide protection from a fall. However, when used properly and in conjunction with each other, they form a Personal Fall Arrest System that becomes vitally important to safety on the job site.

WARNING

Always refer to the regulations and standards regarding personal fall arrest system component requirements and the instructions provided with each component being used as part of the personal fall arrest system.

5.0 Installation/Use

WARNING: DuraSeal Self-Retracting Lifelines must be inspected and functionally tested before each use (see 7.0 Inspection and Maintenance).

5.1 Typical Overhead Installation

WARNING: The installer of the self-retracting lifeline must not be exposed to a fall hazard while mounting the SRL.

Secondary Tether Anchorage Using the Cable Sling

Prior to installation of the self-retracting lifeline to the fall arrest anchorage, it may be advisable to connect the SRL to a secondary tether anchorage to provide protection against dropping the SRL during installation. In addition, it may be advisable to maintain the secondary connection once the SRL is installed given the work conditions and application. The cable sling (see Fig. 1) or an alternate anchorage connector and/or connecting device may be used to connect the SRL to the secondary anchorage. Always connect the secondary tether line or device to the handle of the SRL. To connect the cable sling, wrap the cable around the handle and insert the smaller O-ring through the larger O-ring. Then attach a carabiner to the smaller O-ring and connect the carabiner to the anchorage/anchorage connector. If an alternate anchorage connector and/or connecting device is used, follow the instructions provided with the equipment to ensure that a proper and compatible connection is made.

Fall Arrest Anchorage

Locate an approved overhead anchorage*. (See Anchorage Requirements in 3.2 of this manual.)

Anchor Loop Mounting

Mount the SRL onto the anchorage by the anchor loop using the locking carabiner (see Fig. 2a). The cable sling may be used, if needed, to choke off to an anchorage, such as an I-beam (see Fig. 2b). Install the cable sling around the anchorage and insert the smaller O-ring through the larger O-ring. Then connect the SRL carabiner to the smaller O-ring. Make sure that connector is completely closed and locked and that its gate is not in a position to be load-bearing. If an alternate anchorage connector is used, make sure it is compatible with the anchorage and SRL connector in regards to strength, size, and shape. Follow all instructions provided with the alternate anchorage connector.

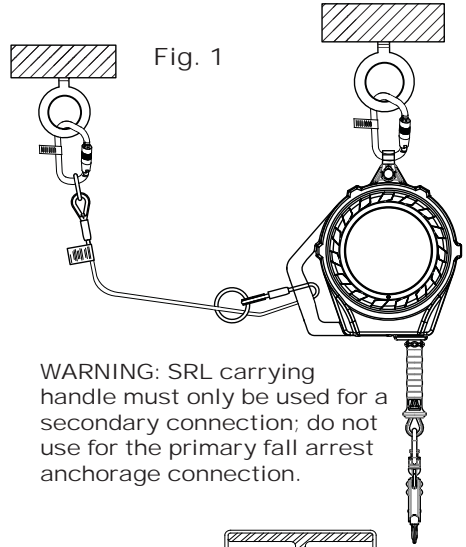


Fig. 1

WARNING: SRL carrying handle must only be used for a secondary connection; do not use for the primary fall arrest anchorage connection.

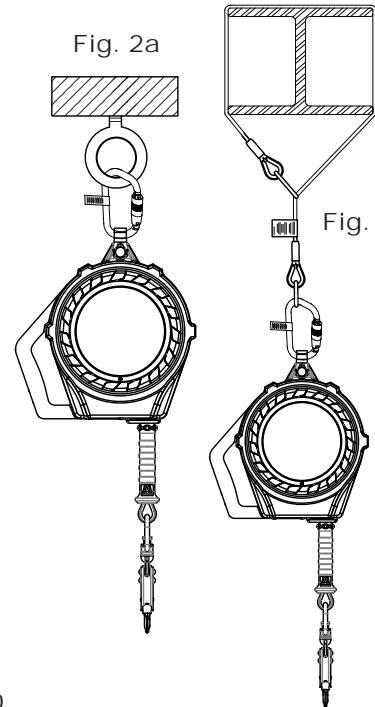


Fig. 2a

Fig. 2b

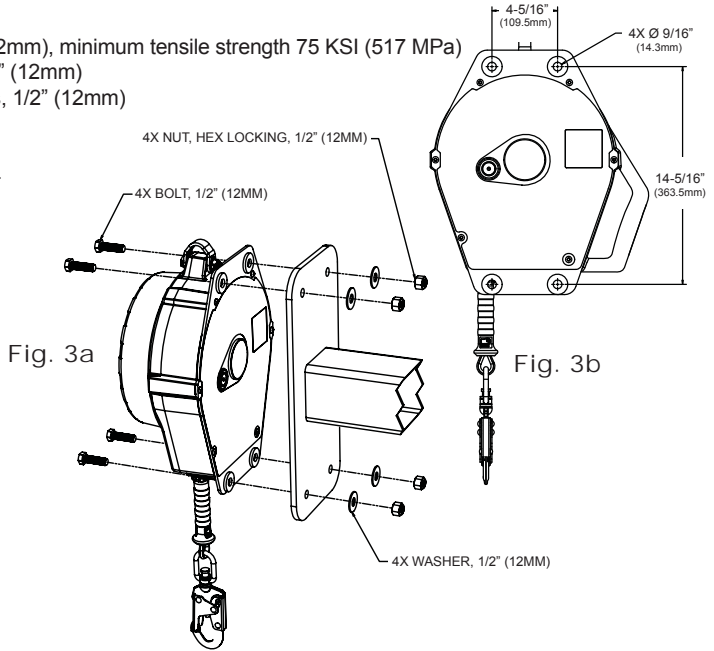
Plate Mounting

For DuraSeal SRLs with the built-in mounting plate, install mounting plate to the anchorage or mounting surface using the required hardware as stated and the configuration shown in Figures 3a and 3b.

Required hardware:

- Four (4) bolts, 1/2" (12mm), minimum tensile strength 75 KSI (517 MPa)
- Four (4) washers, 1/2" (12mm)
- Four (4) hex lock nuts, 1/2" (12mm)

Always use approved hardware for installation.



[*Note: For the purposes of this instruction manual, an overhead application implies that there is no slack in the lifeline when the unit is mounted above the user and connected to the user's back D-ring. For non-overhead applications, please contact Honeywell Technical Service before proceeding.]

5.2 Personal Fall Arrest System Connection/Use

Connecting to the Full-Body Harness

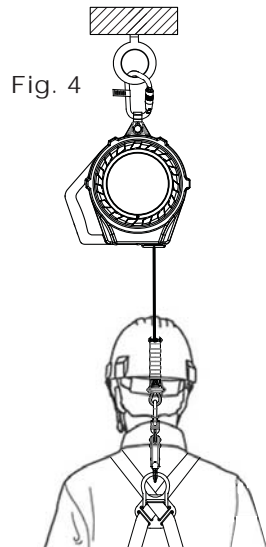
Using the tagline, draw the SRL snap hook down, disconnect the tagline, and attach the snap hook to the dorsal attachment element (back D-ring) on the full-body harness. Make sure that snap hook is completely closed and locked.

WARNING: Coil and secure tagline to prevent interference or entanglement with workers, equipment or machinery.

Use

Once attached, the worker may move about the recommended work zone.

Upon completion of work and detachment from SRL, reconnect tagline clip to SRL snap hook before allowing lifeline to retract back into the SRL housing. Always retract lifeline in a controlled manner.



6.0 Calculating Fall Clearance Distance

It is essential to understand how to calculate the fall clearance distance required for each work application to avoid contact with a lower level.

The basic calculation and diagrams on the following page may be used to determine Required Fall Clearance when using a self-retracting lifeline in an overhead application. For a more automated approach to calculating Required Fall Clearance, access the Miller Fall Clearance Calculator online: www.millerfallprotection.com/fallclearance

Self-Retracting Lifeline Fall Clearance Calculation

[Calculation taken from work level]

Maximum Arrest Distance
+ (Non-Standing Work Position Factor)
+ (Swing Fall Factor)
+ 3 ft. (0.9m) Safety Factor
= Required Fall Clearance

CAUTION: Read all notes and refer to all self-retracting lifeline fall clearance diagrams and labels to determine exact required fall clearance for your application.

Minimum Required Fall Clearance from Work Level to Lower Level*				
Maximum Arrest Distance of SRL	When Working Directly Below Anchor Point			When NOT Working Directly Below Anchor Point
	In Standing Position	In Kneeling/ Crouched Position	In Lying Down Position	In Potential Swing Fall Position
42 in (1.1m)	6 ft-6 in (2m)	9 ft-6 in (2.9m)	11 ft-6 in (3.5m)	<i>Varies - Additional Fall Clearance Required</i>
54 in (1.4m)	7 ft-6 in (2.3m)	10 ft-6 in (3.2m)	12 ft-6 in (3.8m)	

*This chart shows general minimum fall clearances required. An exact calculation, based on the SRL to be used and an assessment of the work site and conditions that may affect the worker's fall clearance, must be performed.

IMPORTANT NOTES:

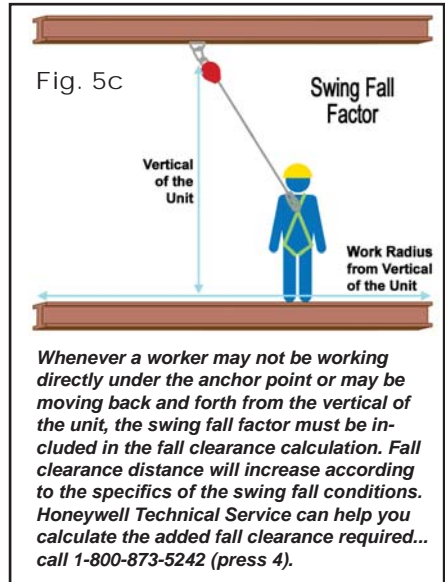
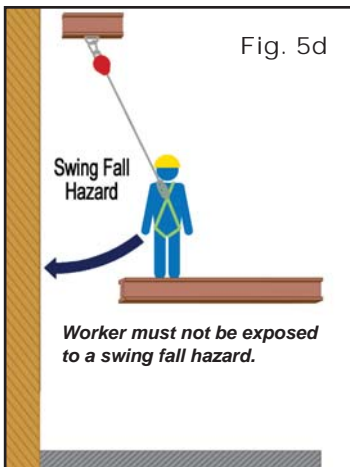
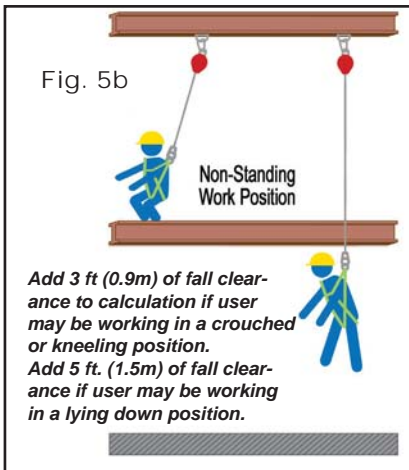
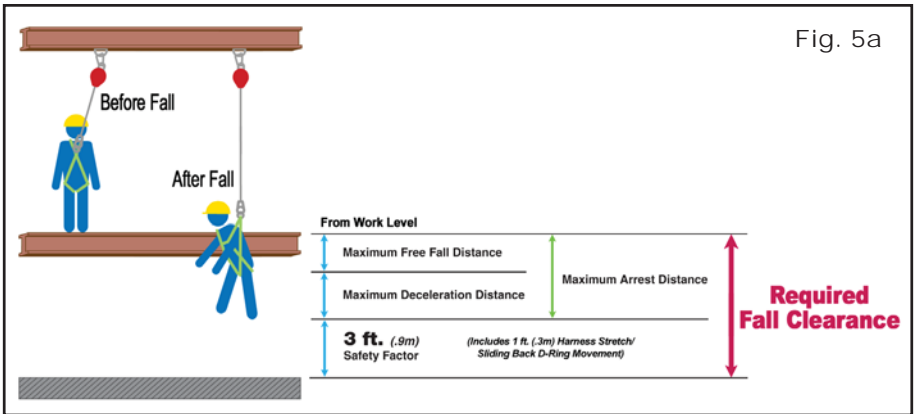
Self-retracting lifelines must be anchored overhead to ensure the accuracy of the fall clearance calculation and related information.

It is important to understand that other factors, such as whether the user is performing work in a standing, crouched or lying down position and/or whether the user is working directly below the anchor point or at an angle, can affect fall distance when using a retractable device.

The self-retracting lifeline fall clearance calculation assumes the user is standing. If the user will be performing work in a crouched or kneeling position, an additional 3 ft. (0.9m) of fall clearance is required. If the user will be performing work in a lying down position, an additional 5 ft. (1.5m) of fall clearance is required.

The self-retracting lifeline fall clearance calculation also assumes the user is working directly below the anchor point, minimizing any possibility for a swing fall. In a swing fall situation, the total fall distance will be greater than if the user were working directly below the anchor point. In some applications, it may not be possible to work directly below the anchor point. In such a case, the worker must increase the fall clearance distance to account for the swing fall factor. In any case, the worker must not be exposed to a potential swing fall where contact with another object may occur.

The maximum arrest distance (free fall + deceleration) varies by retractable. Always refer to the labels on the specific unit to determine the maximum arrest distance.



If there is any question about calculating fall clearance distance, please contact Honeywell Technical Service:

1-800-873-5242 (press 4)

7.0 Inspection and Maintenance

7.1 Inspection and Operation Testing

Honeywell Safety Products' inspection requirements incorporate the criteria established by current safety standards. The inspection criteria for the equipment shall be set by the user's organization, such that it equals or exceeds the criteria required by the manufacturer and the standards with which the organization elects to comply.

Equipment shall be thoroughly inspected and operationally tested by the user before each use, and additionally, by a competent person, other than the user, at regular intervals of no more than one year for:

*[*ANSI Z359.14 provides additional inspection requirements based on type of use and conditions of use. Refer to 7.1.1 ANSI Z359.14 Appendix A: Inspection Requirements for compliance with this standard.]*

- ✓ Absence or illegibility of markings/labels.
- ✓ Absence of any elements affecting the equipment form, fit or function.
- ✓ Evidence of defects in or damage to the cable lifeline (or cable sling) including cuts, broken strands, corrosion, kinks, abrasion, chemical attack, alteration, excessive aging, and excessive wear.
CAUTION: Always wear gloves when inspecting cable lifelines; broken strands can cause injury!
- ✓ Operational damage to the cable lifeline.

Retraction - With the device in a mounted position, test the lifeline retraction and tension by pulling out several feet of the cable and allow to retract back into the unit. Always maintain a light tension on the lifeline as it retracts. The lifeline should pull out freely and retract all the way back into the unit. If the lifeline does not pull out smoothly or sticks when retracting, pull all the cable out of the housing and allow it to retract slowly under tension. Do not use the unit if the lifeline does not retract properly.

CAUTION: Do not let go of the lifeline and let it retract on its own; always maintain tension while it retracts!

Lockup Mechanism - The braking mechanism can be tested by grasping the lifeline ABOVE the load indicator and applying a sharp steady pull downward which will engage the brakes. There should be no slippage of the cable while the brakes are engaged. Once tension is released, the brakes will disengage and the unit will return to the retractable mode.

- ✓ Evidence of defects in or damage to hardware elements including cracks, breaks, rough or sharp edges, deformation, corrosion, chemical attack, excessive heating, pitted surfaces, alteration, and excessive wear.

Operational damage to the hardware.

Snap Hook/Carabiner - The snap hook/carabiner gate (keeper) should seat into the nose without binding and should not be distorted or obstructed. The gate spring should exert sufficient force to firmly close the gate. The gate locking mechanism must prevent the gate from opening when closed.

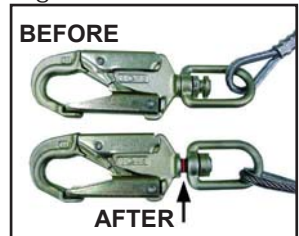
Swivels - The snap hook and anchorage swivels should operate smoothly.

- ✓ Evidence of defects in or damage to the sealed housing and/or loose/missing fasteners.

- ✓ Evidence of deployed or activated fall load indicators.

The snap hook load impact indicator is built into the swivel part of the snap hook. The swivel eye will elongate and expose a red area at the location illustrated when subjected to fall arrest forces.

Fig. 6



⚠ WARNING

When inspection and operational testing reveals defects in or damage to equipment, inadequate maintenance of equipment, or evidence of equipment having been exposed to fall arrest forces or loading, the equipment shall be immediately removed from service.

7.1.1 ANSI Z359.14 - Appendix A: Inspection Requirements

Equipment must always be inspected by the authorized person/user before each use. Additionally, ANSI Z359.14 requires that inspections be conducted by a competent person (other than the user) according to the following schedule. (*See note in 7.2 Maintenance.)

ANSI Z359.14 - Appendix A: Inspection Requirements

Type of Use	Application Examples	Conditions of Use	Inspection Frequency Competent Person
Infrequent to Light	Rescue & confined space, Factory maintenance	Good storage conditions, indoor or infrequent outdoor use, room temperature, clean environments	Annually
Moderate to Heavy	Transportation, Residential construction, Utilities, Warehouse	Fair storage conditions, indoor and extended outdoor use, all temperatures, clean or dusty environments	Semi-annually to annually
Severe to Continuous	Commercial construction, Oil & Gas, Mining	Harsh storage conditions, prolonged or continuous outdoor use, all temperatures, dirty environment	Quarterly to semi-annually

7.2 Maintenance

Basic care of all fall protection equipment will prolong its service life and will contribute toward the performance of its vital safety function.

Servicing

With the exception of the field replaceable lifeline, servicing of Miller self-retracting lifelines must only be carried out by Honeywell Safety Products or persons or entities authorized in writing by Honeywell. A record log of all servicing and inspection dates for this device must be maintained. Only original Miller replacement parts are approved for use in this device. Repairable devices must be returned to our facilities or an approved service center whenever subjected to fall arresting forces for physical inspection and recertification. Non-repairable devices that do not pass inspection must be disposed of in a manner to prevent inadvertent further use. Contact your Honeywell distributor or call Honeywell Technical Service at 1-800-873-5242 for a return authorization number.

Miller self-retracting lifelines require no annual factory recertification.*

*Honeywell Safety Products, as the manufacturer, does not require annual factory recertification for Miller self-retracting lifelines. ANSI Z359.14 and CSA Z259.2.2 standards are voluntary; and ultimately, the end-user/company must elect to follow the inspection and recertification requirements if it is to be compliant with the standard.

*[Note for CSA Approved Products: CSA Z259.2.2 requires Type 2 devices to be returned to the manufacturer or an approved service agent no more than 2 years after the date of manufacturer for inspection and maintenance and annually thereafter.]

Cleaning and Storage

Periodically clean the exterior of the device and wipe the lifeline using a damp cloth and mild detergent.

When not in use, equipment shall be stored in a manner as to preclude damage from environmental factors, such as temperature, light, UV, excessive moisture, oil, chemicals and their vapors, or other degrading elements. **The lifeline should be fully retracted into the device when not in use.**

8.0 Miller Rapid Replace Lifeline

Miller DuraSeal Self-Retracting Lifelines feature a field replaceable lifeline. In the event of a fall, if the load indicator has been activated due to loading, or if the lifeline does not pass inspection, the lifeline can be replaced in the field, keeping the unit where it's needed--on the job.

8.1 Lifeline Replacement Kits

Miller Rapid Replace Lifeline Kits <i>(Kits include the cable assembly, a rubber plug, two shoulder screws, two entry guide screws, and two RFID clips.)</i>				
Models	Description	Length	Cable Material	Weight
SSRL50GRR	Galvanized Cable Lifeline Replacement Kit	50 ft. (15m)	3/16-in. (5mm) Galvanized Steel	4.8 lbs. (2.2kg)
SSRL50SRR	Stainless Steel Cable Lifeline Replacement Kit		3/16-in. (5mm) Stainless Steel	
SSRL100GRR	Galvanized Cable Lifeline Replacement Kit	100 ft. (30m)	3/16-in. (5mm) Galvanized Steel	8.4 lbs. (3.8kg)
SSRL100SRR	Stainless Steel Cable Lifeline Replacement Kit		3/16-in. (5mm) Stainless Steel	
SSRL130GRR	Galvanized Cable Lifeline Replacement Kit	130 ft. (40m)	3/16-in. (5mm) Galvanized Steel	9.9 lbs. (4.5kg)
SSRL130SRR	Stainless Steel Cable Lifeline Replacement Kit		3/16-in. (5mm) Stainless Steel	
SSRL175GRR	Galvanized Cable Lifeline Replacement Kit	175 ft. (53m)	3/16-in. (5mm) Galvanized Steel	12.9 lbs. (5.9kg)
SSRL175SRR	Stainless Steel Cable Lifeline Replacement Kit		3/16-in. (5mm) Stainless Steel	



8.2 Replacing the Lifeline

Tools Needed:

- Gloves
- 3mm hex (allen) driver
- 4mm hex (allen) driver
- Small flathead screwdriver

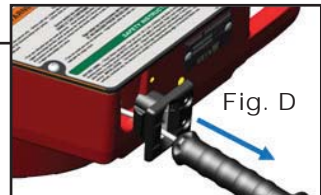
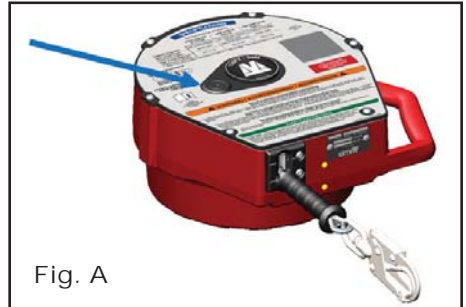
REMOVAL

1 Remove the rubber plug on the side plate cover using a flat screwdriver.
(See Fig. A)

2 Secure SRL to an anchorage, such as a workbench, or hang the SRL by the primary anchorage to change lifeline.

3 With the 4mm hex driver, remove the two (2) screws on the entry guide. (See Fig. B)

4 Extract/pull-out all of the lifeline. The black entry guide should also separate from the housing in this step. (See Fig. C & D)



- 5 While the lifeline is still pulled out, using the 3mm hex driver, tighten (rotate clockwise) the set screw inside the access hole on the bottom of the SRL. Make sure the two shoulder screws on the side plate cover are visible before locking the set screw.
Note: Access hole is different for the 100ft/130ft model and the 175ft model.
 (See Fig. E & F)

Fig. E

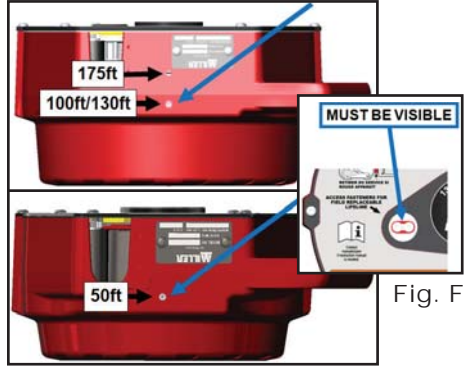


Fig. F

- 6 Using the 3mm hex driver, remove the two (2) shoulder screws on the drum through the side plate cover. (See Fig. G)

Fig. G



- 7 Remove remaining lifeline from SRL housing. (See Fig. H)



Fig. H

- 8 Slide rubber grip up the lifeline to expose the RFID clip. (See Fig. I)

- 9 Then remove RFID clip by breaking the snaps that hold the two parts together using a small flathead screwdriver. (See Fig. I)

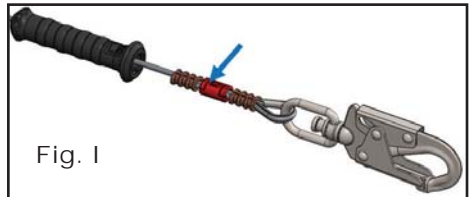
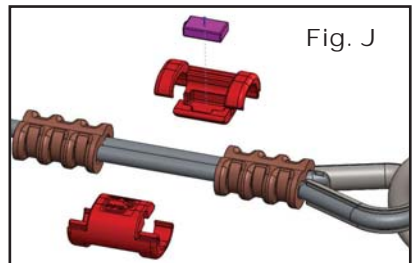


Fig. I

- 10 Remove RFID tag from the RFID clip using a small flathead screwdriver. Save RFID tag for new lifeline. (See Fig. J)

Fig. J

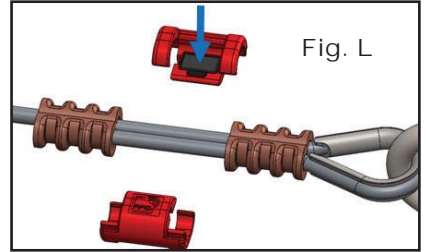


INSTALLATION

1 Slide rubber grip up the new lifeline to expose the ferrules. (See Fig. K)

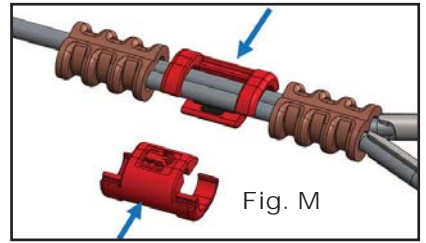


2 New lifeline will include two (2) new RFID clips to secure the original RFID tag to the new lifeline. Install original RFID tag into one of the new RFID clips provided. (See Fig. L)



3 Slide one half of the RFID clip onto the lifeline between the ferrules. (See Fig. M)

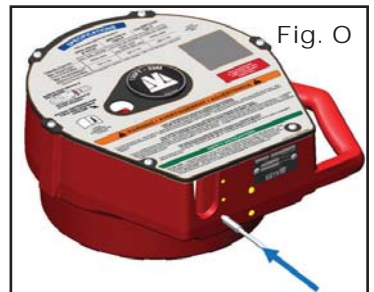
4 Then slide the second half of the RFID clip onto the lifeline until a snap is heard. (See Fig. M)



5 Slide rubber grip down the lifeline to cover the ferrules and RFID clip. (See Fig. N)



6 Install the lifeline end stop into the bottom of the SRL. **IMPORTANT: End stop must engage into the cavity on the drum and should be visible through the side plate cover hole.** (See Fig. O)

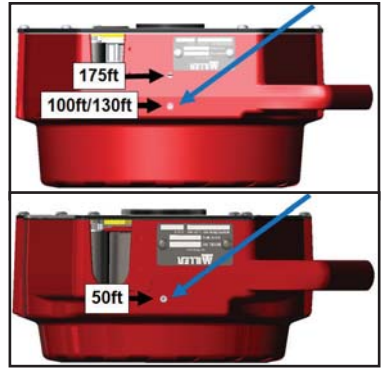


7 Using the 3mm hex driver, install the two (2) shoulder screws on the drum through the side plate cover. (See Fig. P)



8 With a firm grip on the lifeline, slowly loosen (rotate counter-clockwise) the set screw on the bottom of the SRL. (See Fig. Q)

Fig. Q



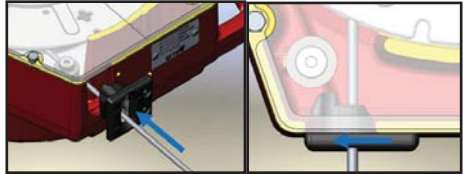
9 Slowly retract all of the lifeline. **IMPORTANT: DO NOT let go of the lifeline until all of the wire rope is retracted.** (See Fig. R)

Fig. R



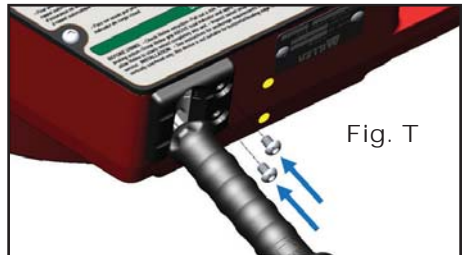
10 Push entry guide bushing into the housing; then slide it to the left to engage the hooked side. (See Fig. S)

Fig. S



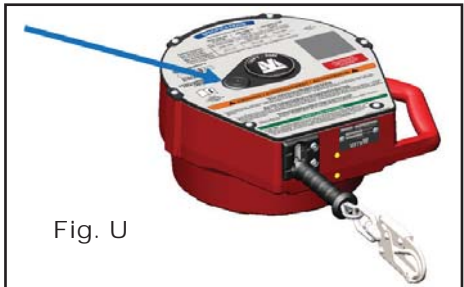
11 Using the 4mm hex driver, install the two (2) screws on the entry guide. (See Fig. T)

Fig. T



12 Install new rubber plug on the side plate cover pushing down on the center of the plug firmly. (See Fig. U)

Fig. U



13 Test lifeline retraction and lockup per the instructions in 7.1 Inspection and Operation Testing.

Lifeline replacement is complete!

Merci

Merci d'avoir acheté un équipement de protection anti-chute Miller fabriqué par Honeywell Safety Products. Les produits de la marque Miller sont fabriqués conformément aux normes de qualité les plus strictes de notre installation certifiée ISO 9001. Vous pourrez utiliser les équipements Miller pendant de nombreuses années si vous prenez soin de ceux-ci adéquatement.

⚠ AVERTISSEMENT

Toutes les personnes qui utilisent cet équipement doivent lire, comprendre et suivre l'ensemble des instructions. Le non-respect de ces instructions peut entraîner de graves blessures ou la mort. N'utilisez cet équipement que si vous avez reçu une formation appropriée.

Des questions ? **APPELEZ LE**
1-800-873-5242

Il est essentiel que la personne autorisée ou l'utilisateur de cet équipement lise et comprenne ces instructions. De plus, conformément aux lois fédérales, les employeurs sont tenus de s'assurer que tous les utilisateurs soient formés dans l'installation appropriée et qu'ils utilisent, inspectent et entretiennent l'équipement de protection anti-chute de façon adéquate. La formation en matière de protection anti-chute devrait faire partie intégrante d'un programme de sécurité complet.

L'utilisation adéquate des systèmes d'arrêt de chute peut sauver des vies et réduire le risque de blessures graves découlant d'une chute. L'utilisateur doit être conscient que les forces exercées au cours de l'arrêt d'une chute ou qu'une suspension prolongée peuvent causer des blessures corporelles. Consultez un médecin si vous avez des questions sur la capacité d'un utilisateur à utiliser ce produit. Les femmes enceintes et les enfants mineurs ne doivent pas utiliser ce produit.

1.0 Objectif

Le cordage de sécurité auto-rétractable (CSAR) DuraSeal de Miller est conçu pour pouvoir fonctionner dans les milieux les plus hostiles, y compris les lieux d'exploitation de gaz et de pétrole à terre et en mer, les mines et les lieux d'exploitation pétrochimique. La technologie de scellant, le système de freinage réutilisable, le cordage de sécurité remplaçable sur le terrain et les matériaux résistants à la corrosion permettent au produit de rester sur le terrain là où il doit être.



2.0 Caractéristiques techniques de la série CSAR DuraSeal

2.1 Identification des composants

CONCEPTION CSAR SCÉLÉE

- Protège le système de freinage, le ressort-moteur et les coussinets
- Garantit une performance optimale, dans tous les environnements de travail
- Augmente la durée de vie de l'appareil
- Respecte les normes d'étanchéité IP68 & IP69K

OPTIONS

D'ATTACHE DES ANCRAGES

- Boucle d'ancrage rotative en acier inoxydable
- Plaque de montage en acier inoxydable *(disponible sur certains modèles)*

POIGNÉE DE TRANSPORT ERGONOMIQUE/ SECOND RACCORDEMENT À L'AIDE D'UN ANCRAGE D'ATTACHE

- Transport équilibré, confortable et facile
- Approuvé pour une utilisation avec un câble ou un dispositif de retenue secondaire, notamment l'élingue câble

LOGEMENT EN ALUMINIUM ET EN ACIER INOXYDABLE

- Construction durable résistante à la corrosion



CORDAGE DE SÉCURITÉ À REMPLACEMENT RAPIDE DE MILLER

- Les cordages de sécurité remplaçables sur le terrain permettent aux personnes compétentes et aux utilisateurs d'effectuer des réparations rapides et économiques
- Laissez le CSAR sur le terrain

CORDAGE DE SÉCURITÉ AVEC CÂBLE MUNI D'UNE POIGNÉE ERGONOMIQUE

- Vendu en acier galvanisé ou en acier inoxydable
- Manipulez le cordage de sécurité en toute sécurité et en tout confort lorsque vous effectuez des raccords

CROCHET MOUSQUETON AVEC UN ÉMERILLON DE VERROUILLAGE MUNI D'UN INDICATEUR DE CHARGE

- Options d'acier plaqué ou inoxydable
- La capacité de charge de la butée, soit 3 600 lb. (16 kN) respecte les plus récentes normes de l'industrie
- L'émerillon réduit la torsion du cordage de sécurité
- Un voyant clair et concis avertit l'utilisateur lorsque l'appareil a été exposé à des forces d'arrêt de chute

RFID À ULTRA-HAUTE FRÉQUENCE

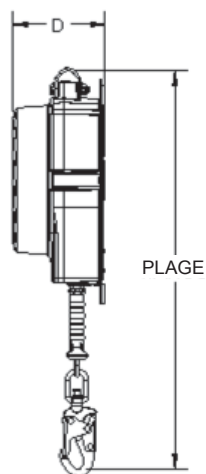
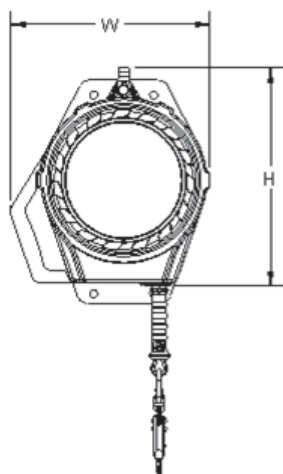
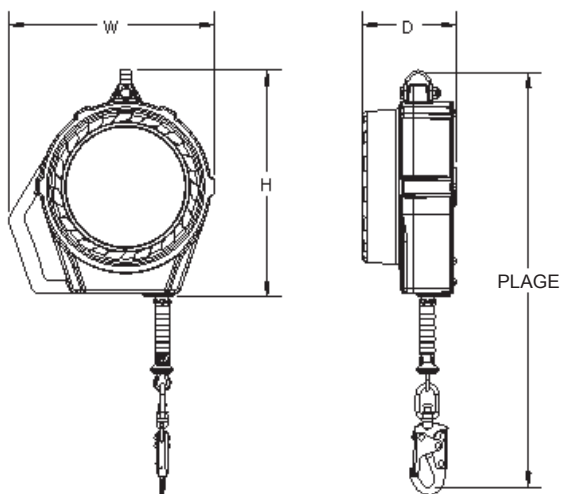
- Permet d'assurer le suivi des ressources et d'effectuer des inspections simplifiées
- Intégrée à la poignée du cordage de sécurité pour permettre des inspections rapides sur le terrain

2.2 Modèles, caractéristiques techniques et dimensions

DuraSeal de Miller^{MC}				
Série de cordage de sécurité auto-rétractable				
Modèles	Longueur	Matériau du câble*	Matériau du crochet mousqueton*	Poids
CSAR scellé muni d'une élingue câble de 4 pi (1,2 m), d'un câble de guidage et de deux (2) mousquetons				
SSRL50G1	50 pi (15 m)	3/16 po (5 mm) Acier galvanisé	Acier plaqué	27,3 lb. (12 kg)
SSRL50S1		3/16 po (5 mm) Acier inoxydable	Acier inoxydable	
SSRL100G1	100 pi (30 m)	3/16 po (5 mm) Acier galvanisé	Acier plaqué	59,7 lb. (27 kg)
SSRL100S1		3/16 po (5 mm) Acier inoxydable	Acier inoxydable	
SSRL130G1	130 pi (40 m)	3/16 po (5 mm) Acier galvanisé	Acier plaqué	61,7 lb. (28 kg)
SSRL130S1		3/16 po (5 mm) Acier inoxydable	Acier inoxydable	
SSRL175G1	175 pi (53 m)	3/16 po (5 mm) Acier galvanisé	Acier plaqué	76,5 lb. (35 kg)
SSRL175S1		3/16 po (5 mm) Acier inoxydable	Acier inoxydable	
CSAR scellé muni d'une élingue câble de 4 pi (1,2 m), d'un câble de guidage, de deux (2) mousquetons et d'une plaque de montage à 4 trous				
SSRL100G2	100 pi (30 m)	3/16 po (5 mm) Acier galvanisé	Acier plaqué	61 lb. (28 kg)
SSRL100S2		3/16 po (5 mm) Acier inoxydable	Acier inoxydable	
SSRL130G2	130 pi (40 m)	3/16 po (5 mm) Acier galvanisé	Acier plaqué	63 lb. (29 kg)
SSRL130S2		3/16 po (5 mm) Acier inoxydable	Acier inoxydable	
SSRL175G2	175 pi (53 m)	3/16 po (5 mm) Acier galvanisé	Acier plaqué	77,9 lb. (35 kg)
SSRL175S2		3/16 po (5 mm) Acier inoxydable	Acier inoxydable	
*Parmi les autres matériaux de construction, on compte : un logement en aluminium moulé, un mécanisme de verrouillage en acier inoxydable, des ressorts en acier inoxydable, un guide d'entrée en nylon résistant à l'usure et une plaque de montage en acier inoxydable.				

DuraSeal de Miller^{MC} Équipement accessoire		
Modèles	Description	Poids
SSRLTRK	Trousse de remplacement de longe/élingue câble (comprend mousqueton en acier inoxydable)	3,8 lb. (1,7 kg)
SSRLC	Mousqueton en acier inoxydable	0,47 lb. (0,21 kg)
17D-1/	Mousqueton en acier plaqué	0,5 lb. (0,22 kg)

CSAR DuraSeal



CSAR DuraSeal
avec plaque de
montage à 4 trous

Dimensions de l'appareil			
	H	L	P
50 pi <i>(15 m)</i>	12,8 pi <i>(325 mm)</i>	11,8 pi <i>(300 mm)</i>	4,9 pi <i>(125 mm)</i>
100 pi <i>(30 m)</i>	15,7 pi <i>(399 mm)</i>	14,4 pi <i>(366 mm)</i>	6,6 pi <i>(168 mm)</i>
130 pi <i>(40 m)</i>	15,7 pi <i>(399 mm)</i>	14,4 pi <i>(366 mm)</i>	6,6 pi <i>(168 mm)</i>
175 pi <i>(53 m)</i>	15,7 pi <i>(399 mm)</i>	14,4 pi <i>(366 mm)</i>	7,8 pi <i>(198 mm)</i>

3.0 Exigences générales, Avertissements et limitations

3.1 Exigences générales relatives à la protection anti-chute

Tous les avertissements et toutes les instructions doivent être fournis aux personnes autorisées/utilisateurs.

Toutes les personnes autorisées et tous les utilisateurs doivent se reporter aux réglementations régissant la sécurité au travail, ainsi qu'aux normes ANSI ou CSA applicables. Veuillez consulter les étiquettes sur les produits pour obtenir des informations sur les réglementations OSHA et les normes ANSI et CSA spécifiques respectées par les produits concernés.

Il faut prendre les précautions nécessaires pour retirer de la zone de travail les obstacles, débris, matériaux ou autres risques identifiés qui pourraient entraîner des blessures ou nuire au bon fonctionnement du système.

L'ensemble de l'équipement doit être inspecté avant chaque utilisation conformément aux instructions du fabricant.

Une personne qualifiée doit inspecter régulièrement l'équipement dans son intégralité.

Pour réduire le risque de désengagement accidentel, une personne compétente doit s'assurer de la compatibilité du système.

L'équipement ne doit pas être modifié d'une quelconque façon. Les réparations doivent être seulement effectuées par le fabricant ou les personnes ou entités autorisées par écrit par le fabricant, à l'exception du cordage de sécurité remplaçable sur le terrain (voir 8.0).

Tout produit présentant des déformations, une usure anormale ou des détériorations doit être immédiatement mis au rebut.

Tout équipement ayant subi une chute doit être mis hors service.

La personne autorisée/l'utilisateur doit disposer d'un plan de sauvetage et des moyens nécessaires à sa mise en œuvre lors de l'utilisation de l'équipement.

N'utilisez jamais un équipement de protection anti-chute à des fins autres que celles pour lesquelles il a été conçu. Un équipement de protection anti-chute ne doit jamais être utilisé à des fins de levage ou de remorquage.

Lors de la sélection d'un équipement de protection de chute, le milieu d'utilisation environnant doit être pris en compte (risques environnementaux). L'équipement ne doit pas être exposé à des risques environnementaux ni à des produits chimiques pouvant avoir un effet de détérioration. L'utilisation de cet équipement dans un environnement corrosif ou caustique requiert une inspection plus régulière et l'élaboration d'un programme d'entretien garantissant le maintien de l'intégrité du produit.

Ne laissez pas l'équipement entrer en contact avec quoi que ce soit qui pourrait l'endommager, comprenant, sans s'y limiter, les surfaces rugueuses, abrasives, acérées ou chaudes, les soudures, les sources de chaleur, les appareils électrifiés ou les pièces mobiles.

N'exposez pas l'équipement à un risque auquel il ne peut résister. En cas de doute, consultez le fabricant.

Assurez-vous toujours qu'aucun obstacle ne se trouve sous la zone de travail pour vous assurer que la trajectoire de chute potentielle est dégagée.

Laissez un espace suffisant sous la surface de travail en cas de chute.

Ne retirez jamais les étiquettes sur les produits ; elles contiennent des informations et des avertissements importants destinés à la personne autorisée/l'utilisateur.

3.2 Avertissements et limitations

Capacité*

Conçu pour être utilisé par UNE seule personne. La capacité maximum est de 420 lb. (190,5 kg), y compris le poids corporel, les vêtements et les outils.

**Si le système est utilisé par un employé dont le poids combiné (poids corporel/outils) est entre 310 lb. (140,6 kg) et 420 lb. (190,5 kg), l'employeur devra modifier le critère et les protocoles pour fournir une protection adéquate pour les personnes plus lourdes pour maintenir la conformité aux édits du règlement OSHA 1926.502(d)(16). [Plage de capacité ANSI : 130 lb. à 310 lb. (59 kg - 140,6 kg).]*

Limites d'utilisation

Dispositif d'ancrage monté verticalement en hauteur. Pour les fins du présent manuel d'instruction, une application en hauteur implique qu'il n'y a pas de relâchement dans le cordage de sécurité lorsque l'appareil est monté au-dessus de l'utilisateur et raccordé à l'anneau boucle arrière de l'utilisateur.

Ne jamais travailler au-dessus du dispositif.

Ce dispositif ne convient pas aux applications de cordages de sécurité horizontales ou horizontales/de bord avant.

Le dispositif doit être installé et utilisé de manière à réduire les risques de chute en basculant. Aucun utilisateur ne doit être exposé à des risques de chute en basculant.

Ne laissez pas le cordage de sécurité devenir lâche.

N'utilisez jamais ce dispositif à des fins de retenue ou de positionnement.

Exigences relatives aux ancrages

L'ancrage doit être en mesure de supporter 5 000 lb. (22,2 kN) par travailleur ou il doit être conçu, installé et utilisé sous la supervision d'une personne qualifiée dans le cadre d'un système d'arrêt de chute complet qui maintient un facteur de sécurité de deux.

Les exigences d'ancrage ANSI sont les suivantes :

- Pour les systèmes d'arrêt de chute, les ancrages doivent pouvoir supporter une charge statique de 22,2 kN (5 000 lb) pour les ancrages non homologués ou deux fois la force maximum d'arrêt pour les ancrages homologués.

- Lorsque plusieurs systèmes d'arrêt de chute individuels sont fixés à un ancrage, les forces mentionnées ci-dessus doivent être multipliées par le nombre de systèmes d'arrêt de chute individuels attachés à l'ancrage.

Chute libre

Les systèmes d'arrêt de chute individuels doivent être installés afin de limiter les chutes libres à la plus courte distance possible [6 pi (1,8 m) au maximum].

Forces d'arrêt de chute

Les CSAR DuraSeal de Miller sont conçus avec un amortisseur de choc intégré afin de limiter les risques de chute forces d'arrêt jusqu'à 900 lb. (4 kN) en moyenne et 1 800 lb. (8 kN) maximum.

Rétraction et blocage du cordage de sécurité

N'utilisez pas ce dispositif s'il ne se rétracte pas. Maintenez toujours une tension sur le cordage de sécurité lorsque vous le rétractez.

Le dispositif doit être testé à des fins de blocage avant chaque utilisation. N'utilisez pas ce dispositif si les freins ne s'engagent pas.

Entretien et réparation

Ne lubrifiez pas ce dispositif.

Les cordages de sécurité auto-rétractables doivent être mis hors service si une pièce du système semble endommagée ou ne passe pas à l'inspection, ou si l'appareil a fait l'objet de forces d'arrêt d'une chute.

N'essayez pas de réparer ce dispositif, à l'exception du cordage de sécurité remplaçable sur le terrain. Si un cordage de sécurité auto-rétractable ne fonctionne pas adéquatement ou si l'un de ses composants autre que le cordage de sécurité doit être réparé, retournez le dispositif au fabricant de l'équipement concerné ou à un centre de service autorisé par écrit par le fabricant, à des fins de réparation.

4.0 Compatibilité du système

Les cordages de sécurité auto-rétractables Miller sont conçus pour être utilisés avec des composants approuvés par Honeywell seulement. Toute substitution ou tout remplacement par une combinaison de composants ou un sous-système non approuvé (ou les deux) pourrait nuire ou contrevenir au fonctionnement sécuritaire des composants entre eux et mettre en danger la compatibilité avec le système. Cette incompatibilité pourrait affecter la fiabilité et la sécurité du système au complet.

4.1 Composants du système d'arrêt de chute individuel

Pour procurer la protection maximale du travailleur, trois composants clés du système d'arrêt de chute individuel (SACI) doivent être en place.

ANCRAGE ET CONNECTEUR D'ANCRAGE

Le premier composant est l'ancrage et son connecteur. L'ancrage est aussi connu sous l'appellation « point d'ancrage » ou point de départ et il est un point de fixation sécuritaire, notamment une poutre en I ou une autre structure de soutien. Un connecteur d'ancrage telle une courroie inter-poutres ou un ancrage à boulon et œillet en D est parfois requis pour rendre le raccordement compatible entre le dispositif de raccordement et l'ancrage.

ÉQUIPEMENT CORPOREL

Le deuxième composant du système est l'équipement de protection de chute individuel porté par le travailleur qui effectue le travail. Le seul type d'équipement d'arrêt de chute acceptable est le baudrier complet. Le baudrier complet est conçu pour distribuer la force de la chute et doit être porté dans toutes les situations dans lesquelles les travailleurs sont exposés à une chute potentielle.

DISPOSITIF DE RACCORDEMENT

Le troisième composant du système est le dispositif de raccordement, le lien essentiel raccordant l'équipement porté au connecteur d'ancrage ou point d'ancrage. L'attribut le plus important du dispositif de raccordement est l'amortisseur de choc. Que le dispositif de raccordement soit un cordon amortisseur ou un cordage de sécurité auto-rétractable, il est conçu pour réduire de façon importante la force de la chute imposée sur le corps.

Séparément, aucun de ces composants ne procurera une protection d'arrêt de chute. Mais, lorsqu'utilisés conjointement de façon appropriée, ils forment un système d'arrêt de chute individuel qui devient d'importance vitale à la sécurité sur les lieux de travail.

⚠ AVERTISSEMENT

Toujours se référer aux normes et règlements relatifs aux composants formant le système d'arrêt de chute, ainsi qu'aux instructions fournies avec chaque composant utilisé dans le système d'arrêt de chute individuel.

5.0 Installation et utilisation

AVERTISSEMENT : Les cordages de sécurité auto-rétractables DuraSeal doivent être inspectés et faire l'objet de tests de fonctionnement avant chaque utilisation (voir 7.0 Inspection et entretien).

5.1 Installation en hauteur typique

AVERTISSEMENT : L'installateur du cordage de sécurité auto-rétractable ne doit pas être exposé à des risques de chute lorsqu'il monte le CSAR.

Ancrage d'attache secondaire

Utilisation de l'élingue câble

Avant d'installer le cordage de sécurité auto-rétractable à l'ancrage d'arrêt de chute, il peut s'avérer judicieux de raccorder le CSAR à l'ancrage d'attache secondaire pour offrir une protection contre toute chute du CSAR pendant l'installation.

De plus, il peut s'avérer judicieux de maintenir le raccordement secondaire une fois que le CSAR est installé en fonction des conditions de travail et de l'application concernée. L'élingue câble (voir Fig. 1) ou un connecteur d'ancrage ou dispositif de raccordement alternatif peut être utilisé pour raccorder le CSAR à l'ancrage secondaire.

Raccordez toujours le câble ou le dispositif de retenue à la poignée du CSAR. Pour raccorder l'élingue câble, enveloppez le câble autour de la poignée et insérez le plus petit joint annulaire dans le joint annulaire plus grand. Attachez ensuite le mousqueton au plus petit joint annulaire et raccordez le mousqueton à l'ancrage/au connecteur d'ancrage. Si un connecteur d'ancrage ou un dispositif de raccordement alternatif est utilisé, suivez les instructions fournies avec l'équipement pour vous assurer qu'un raccordement approprié et compatible est effectué.

Ancrage d'arrêt de chute

Localisez un ancrage en hauteur qui a été approuvé*. (Voir les exigences relatives aux ancrages à la section 3.2 de ce manuel.)

Montage de la boucle d'ancrage

Montez le CSAR sur l'ancrage par la boucle d'ancrage à l'aide du mousqueton de sécurité (voir Fig. 2a). L'élingue câble peut être utilisée, au besoin, pour bloquer un ancrage, notamment une poutre en I (voir Fig. 2b). Installez l'élingue câble autour de l'ancrage et insérez le plus petit joint annulaire dans le joint annulaire plus grand. Raccordez ensuite le mousqueton du CSAR au plus petit joint annulaire. Assurez-vous que le connecteur est complètement fermé et verrouillé et que sa butée n'est pas en position pour porter une charge. Si un connecteur d'ancrage alternatif est utilisé, assurez-vous qu'il est compatible avec l'ancrage et le connecteur du CSAR en ce qui a trait à sa force, sa taille et sa forme. Suivez toutes les instructions fournies avec le connecteur d'ancrage alternatif.

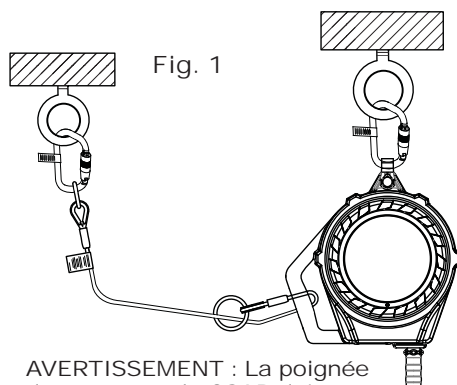


Fig. 1

AVERTISSEMENT : La poignée de transport du CSAR doit seulement être utilisée pour un raccordement secondaire. Ne pas l'utiliser pour le raccordement d'ancrage d'arrêt de chute principal.

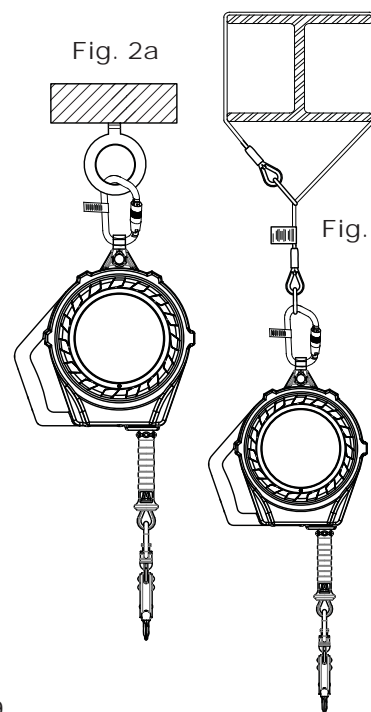


Fig. 2a

Fig. 2b

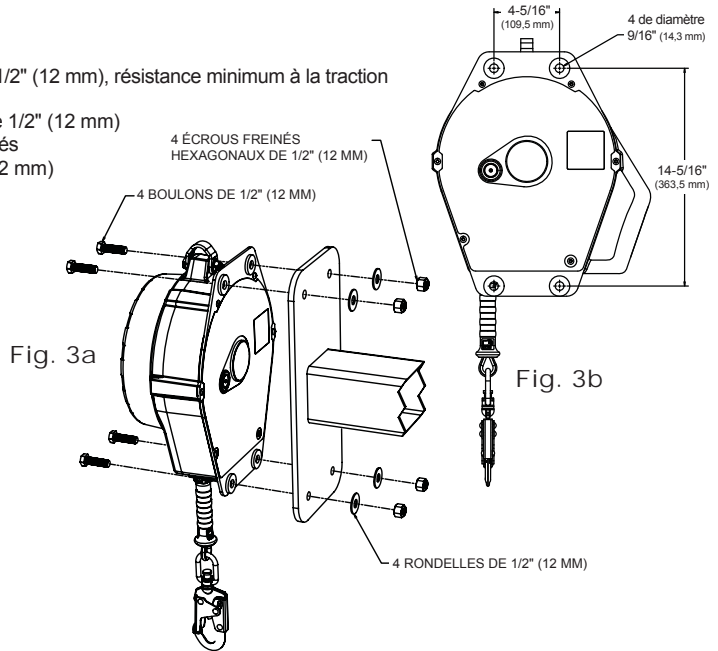
Montage de la plaque

Pour les CSAR DuraSeal comprenant une plaque de montage intégrée, installez la plaque de montage sur l'ancrage ou la surface de montage à l'aide du matériel requis tel qu'indiqué et selon la configuration présentée aux figures 3a et 3b.

Matériel requis :

- Quatre (4) boulons de 1/2" (12 mm), résistance minimum à la traction 75 ksi (517 MPa)
- Quatre (4) rondelles de 1/2" (12 mm)
- Quatre (4) écrous freinés hexagonaux de 1/2" (12 mm)

Utilisez toujours un matériel approuvé pour l'installation.



*[*Remarque : Pour les fins du présent manuel d'instruction, une application en hauteur implique qu'il n'y a pas de relâchement dans le cordage de sécurité lorsque l'appareil est monté au-dessus de l'utilisateur et raccordé à l'anneau boucle arrière de l'utilisateur. Pour les applications non en hauteur, veuillez communiquer avec le Service technique Honeywell avant de commencer.]*

5.2 Raccordement du système d'arrêt de chute individuel

Raccordement au baudrier complet

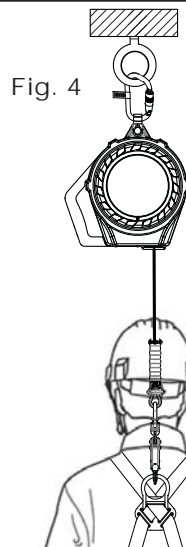
À l'aide du câble de guidage, tirez le crochet mousqueton du CSAR vers le bas, détachez le câble de guidage et attachez le crochet mousqueton à l'élément d'attachement dorsal (anneau boucle arrière) sur le baudrier complet. Assurez-vous que le crochet mousqueton est complètement fermé et verrouillé.

AVERTISSEMENT : Enroulez et attachez le câble de guidage pour empêcher toute interférence ou tout emmêlement avec des travailleurs, de l'équipement ou des appareils.

Utilisation

Une fois qu'il est attaché, le travailleur peut aller et venir dans la zone de travail recommandée.

Une fois le travail terminé et le CSAR détaché, raccordez l'attache du câble de guidage au crochet mousqueton du CSAR avant de laisser le câble de guidage se rétracter dans le logement du CSAR. Rétractez toujours le cordage de sécurité de manière contrôlée.



6.0 Calcul de la distance de dégagement de chute

Il est primordial de savoir calculer les distances de dégagement de chute requises pour chaque application de travail afin d'éviter de heurter le niveau inférieur.

Les schémas de calcul de base de la page suivante peuvent être utilisés pour déterminer la distance de dégagement de chute requise lors de l'utilisation d'un cordage de sécurité auto-rétractable pour les applications en hauteur. Pour une approche plus automatisée en matière de calcul des distances de dégagement de chute requises, naviguez à la page du calculateur de distances de dégagement de chute Miller au :

www.millerfallprotection.com/fallclearance

Calcul de distance de dégagement de chute pour le cordage de sécurité auto-rétractable

[Mesure prise à partir du niveau de travail]

Distance maximale d'arrêt

+ (Facteur de position de travail non debout)

+ (Facteur de pendule de travail)

+ Facteur de sécurité de 3 pi (0,9 m)

= distance de dégagement de chute requise

ATTENTION : Lisez toutes les notes et référez-vous à tous les schémas et à toutes les étiquettes liés à la distance de dégagement de chute applicables aux cordages de sécurité auto-rétractables pour déterminer la distance de dégagement de chute précise qui est requise pour votre application.

Distance de dégagement de chute requise du niveau de travail au niveau inférieur*				
Distance maximale d'arrêt du CSAR	Lors d'un travail directement en dessous du point d'ancrage			Lors d'un travail qui n'est pas directement en dessous du point d'ancrage
	En position debout	En position agenouillée ou accroupie	En position couchée	En position de chute en basculant potentielle
42 po (1,1 m)	6 pi/6 po (2 m)	9 pi/6 po (2,9 m)	11 pi/6 po (3,5 m)	Variable (distance de dégagement de chute supplémentaire requise)
54 po (1,4m)	7 pi-6 po (2,3m)	10 pi-6 po (3,2m)	12 pi-6 po (3,8m)	

* Ce tableau présente la distance de dégagement de chute générale requise. Un calcul exact, fondé sur le CSAR à utiliser et sur une évaluation du lieu et des conditions de travail qui peuvent avoir une incidence sur la distance de dégagement de chute liée au travailleur, doit être fait.

REMARQUES IMPORTANTES :

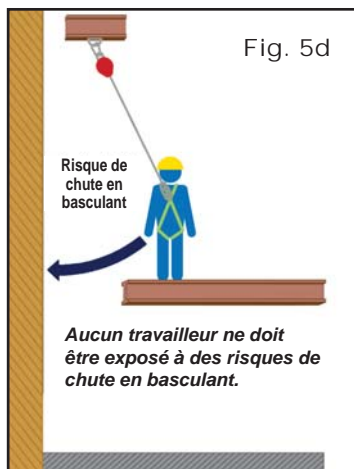
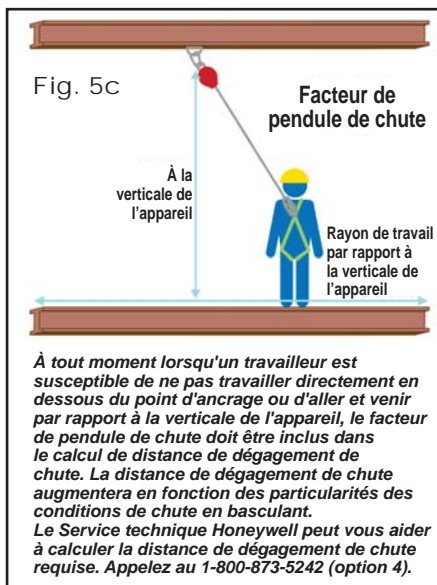
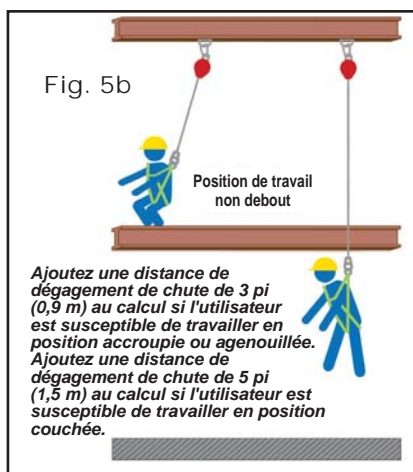
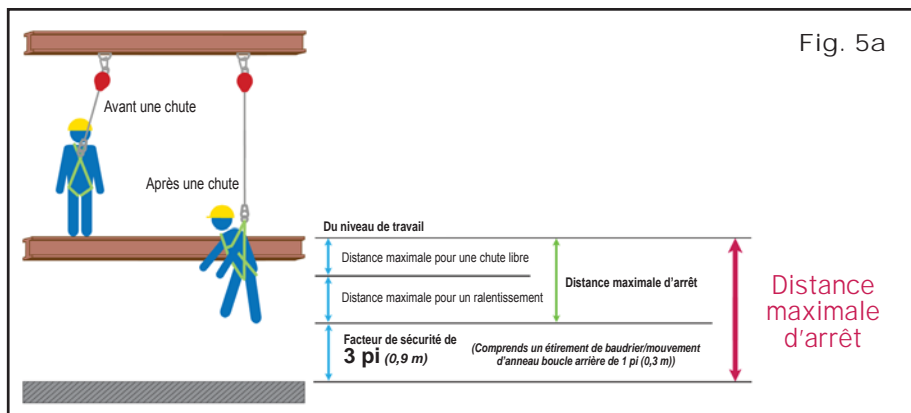
Les cordages de sécurité auto-rétractables doivent être ancrés en hauteur pour garantir l'exactitude du calcul de la distance de dégagement de chute et de l'information connexe.

Il est important de comprendre que d'autres facteurs, notamment si l'utilisateur effectue le travail en position debout, accroupie ou couchée ou si l'utilisateur travaille directement en dessous du point d'ancrage ou en angle, peuvent avoir une incidence sur la distance de chute lors de l'utilisation d'un appareil rétractable.

Le calcul de la distance de dégagement de chute lié au cordage de sécurité auto-rétractable est fait en prenant pour acquis que l'utilisateur est debout. Si l'utilisateur effectuera du travail en position accroupie ou agenouillée, une distance de dégagement de chute supplémentaire de 3 pieds (0,9 m) est requise. Si l'utilisateur effectuera du travail en position couchée, une distance de dégagement de chute supplémentaire de 5 pieds (1,5 m) est requise.

Le calcul de la distance de dégagement de chute lié au cordage de sécurité auto-rétractable est également fait en prenant pour acquis que l'utilisateur travaille directement en dessous du point d'ancrage, ce qui réduit toute possibilité de chute en basculant. Dans une situation de chute en basculant, la distance de dégagement de chute totale sera supérieure à celle qui aurait prévalu si l'utilisateur travaillait directement en dessous du point d'ancrage. Dans certains cas, il peut s'avérer impossible de travailler directement en dessous du point d'ancrage. Lorsque cette situation se présente, le travailleur doit augmenter la distance de dégagement de chute afin de tenir compte du facteur de pendule de chute. Dans tous les cas, le travailleur ne doit pas être exposé à une chute en basculant potentielle lorsqu'un contact avec un autre objet est susceptible de se produire.

La distance maximale d'arrêt (chute libre et ralentissement) varie selon la rétraction du cordage impliqué. Référez-vous toujours aux étiquettes sur l'appareil concerné pour déterminer la distance maximale d'arrêt.



Si vous avez des questions par rapport au calcul de la distance de dégagement de chute, veuillez communiquer avec le Service technique Honeywell :

1-800-873-5242 (option 4)

7.0 Inspection et entretien

7.1 Inspection et test de fonctionnement

Les exigences en matière d'inspection de Honeywell Safety Products comprennent les critères établis par les normes de sécurité courantes. Les critères d'inspection de l'équipement doivent être déterminés par l'entreprise l'utilisant, comme par exemple des critères équivalents ou plus sévères que les critères requis par le fabricant et les normes auxquelles l'entreprise décide de se conformer.

L'équipement devra être inspecté méticuleusement et faire l'objet d'un test de fonctionnement par l'utilisateur avant chaque utilisation, et aussi par une personne compétente autre que l'utilisateur à des intervalles réguliers qui ne dépassent pas une fois l'an. Cela doit être fait pour ce qui suit :

*[*L'ANSI Z359.14 propose des exigences supplémentaires en ce qui a trait à l'inspection fondées sur le type et les conditions d'utilisation. Référez-vous à l'Annexe A de la section 7.1.1 ANSI Z359.14 : Exigences en matière d'inspection relatives au respect de cette norme.]*

- ✓ Absence ou illisibilité des inscriptions et étiquettes.
- ✓ Absence d'un élément quelconque affectant la forme, l'ajustement ou la fonction de l'équipement.
- ✓ Signes de défauts ou dommages au cordage de sécurité avec câble (ou élingue câble), notamment coupures, brins cassés, corrosion, entortillements, abrasion, attaque chimique, modification, vieillissement accéléré et usure excessive.

ATTENTION : Portez toujours des gants lorsque vous inspectez les cordages de sécurité, car les brins cassés pourraient vous blesser.

- ✓ Dommage opérationnel au cordage de sécurité avec câble.

Rétraction - Le dispositif en position surélevée, testez la rétraction et la tension du cordage de sécurité en tirant sur le cordage de plusieurs pieds et en le rétractant dans l'appareil. Maintenez toujours une tension sur le cordage de sécurité lorsque celui-ci se rétracte. Le cordage de sécurité devrait pouvoir être tiré et se rétracter complètement dans l'appareil. Si le cordage de sécurité ne se tire pas doucement ou qu'il bloque lorsqu'il se rétracte, tirez le cordage hors du logement et laissez-le se rétracter lentement sous tension. N'utilisez pas l'appareil si le cordage de sécurité ne se rétracte pas adéquatement.

ATTENTION : Ne laissez pas aller le cordage de sécurité et se rétracter de lui-même. Maintenez toujours une tension lorsqu'il se rétracte !

Mécanisme de verrouillage - Le mécanisme de freinage peut être testé en empoignant le cordage de sécurité AU-DESSUS de l'indicateur de charge et en tirant avec force et constance vers le bas, ce qui engagera les freins. Il ne doit y avoir aucun glissement du cordage lorsque les freins sont engagés. Une fois que la tension est relâchée, les freins se désengageront et l'appareil reviendra en mode rétractable.

- ✓ Signes de défauts ou dommages aux éléments de quincaillerie, incluant des fissures, bris, arêtes rugueuses ou acérées, déformation, corrosion, attaque chimique, surchauffe, surfaces piquées, modification et usure excessive.

Dompage opérationnel au matériel.

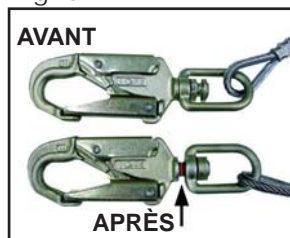
Crochet mousqueton/mousqueton - La butée (gardien) du crochet mousqueton/ mousqueton doit tenir en place dans le bec sans se plier et ne doit pas être déformée ou obstruée. Le ressort de la butée doit exercer une force suffisante pour fermer la butée fermement. Le mécanisme de verrouillage de la butée doit empêcher la butée de s'ouvrir une fois qu'elle est fermée.

Émerillons - Le crochet mousqueton et les émerillons d'ancrage doivent fonctionner sans accroc.

- ✓ Signes de défauts ou de dommages au logement scellé ou pièces de fixation lâches ou manquantes.
- ✓ Signe de déploiement ou indicateurs de charge de chute activés.

L'indicateur d'impact de la charge du crochet mousqueton est intégré dans la partie pivotante du crochet mousqueton. L'œil à émerillon s'allongera et exposera une zone rouge à l'endroit indiqué lorsqu'il fera l'objet de forces d'arrêt de chute.

Fig. 6



⚠ AVERTISSEMENT

Lorsque l'inspection et les tests de fonctionnement révèlent des défauts ou des dommages à l'équipement, un entretien inadéquat de l'équipement ou des signes indiquant que l'équipement a été exposé à des forces d'arrêt de chute ou à un chargement, l'équipement doit immédiatement être mis hors service.

7.1.1 ANSI Z359.14 - Annexe A : Exigences relatives à l'inspection

L'équipement doit toujours être inspecté par la personne autorisée ou l'utilisateur avant chaque utilisation. De plus, en vertu de l'ANSI Z359.14, toutes les inspections doivent être effectuées par une personne compétente (autre que l'utilisateur) conformément au calendrier suivant. (*Voir la note à la section 7.2 Entretien.)

ANSI Z359.14 - Annexe A : Exigences relatives à l'inspection

Type d'utilisation	Application Exemples	Conditions d'utilisation	Inspection Fréquence Personne compétente
Peu fréquent à la lumière	Sauvetage & espace clos, usine entretien	Bonnes conditions d'entreposage, utilisation à l'intérieur ou peu fréquente à l'extérieur, température de la pièce, environnements sains	Annuellement
Moyen à élevé	Transport, construction d'habitations, commodités, entrepôt	Conditions d'entreposage appropriées, utilisation à l'intérieur ou à l'extérieur sur une longue durée, toutes températures, environnements sains ou poussiéreux	Deux fois par année ou annuellement
Grave à continu	Construction commerciale, pétrole & gaz, mines	Conditions d'entreposage difficiles, utilisation à l'extérieur prolongée ou continue, toutes températures, environnement sale	Trois fois à deux fois par année

7.2 Entretien

Un entretien de base de tout équipement de protection anti-chute prolongera sa vie utile et contribuera à la bonne performance de sa fonction vitale de sécurité.

Entretien

À l'exception du cordage de sécurité remplaçable sur le terrain, l'entretien des cordages de sécurité auto-rétractables doit seulement être effectué par l'équipe de Honeywell Safety Products ou par des personnes ou des entités autorisées par écrit par Honeywell. Il faut tenir un registre de toutes les dates d'entretien et d'inspection de l'appareil. Seules les pièces de rechange Honeywell sont approuvées pour être utilisées dans cet appareil. Les appareils réparables doivent être retournés à nos installations ou à un centre de service autorisé lorsqu'ils font l'objet de forces d'arrêt de chute afin de subir une inspection physique et de faire l'objet d'une recertification. Les dispositifs non réparables qui ne passent pas le cap de l'inspection doivent être jetés de manière à éviter tout usage ultérieur accidentel. Communiquez avec votre distributeur Honeywell ou téléphonez au Service technique Honeywell au 1-800-873-5242 pour obtenir un numéro d'autorisation de retour.

Les cordages de sécurité auto-rétractables Miller ne doivent pas obligatoirement faire l'objet d'une recertification annuelle en usine.*

*Honeywell Safety Products, en tant que fabricants, ne doivent pas obligatoirement faire l'objet d'une recertification annuelle en usine en ce qui concerne les cordages de sécurité auto-rétractables Miller. Les normes ANSI Z359.14 et CSA Z259.2.2 sont facultatives ; et en définitive, l'utilisateur final ou l'entreprise doit choisir de respecter les exigences d'inspection et de recertification s'il veut respecter la norme.

*[Remarque pour les produits approuvés par la CSA : Conformément à la norme CSA Z259.2.2, les dispositifs de type 2 doivent être retournés au fabricant ou à un agent de service autorisé 2 ans au maximum après la date d'inspection et d'entretien du fabricant et chaque année par la suite.]

Nettoyage et entreposage

Nettoyez l'extérieur du dispositif régulièrement et essuyez le cordage de sécurité à l'aide d'un linge humide et d'un détergent doux.

Lorsqu'il n'est pas utilisé, l'équipement devra être entreposé de sorte à prévenir les facteurs d'endommagement tels qu'une température élevée, la lumière vive, les rayons ultraviolets, l'humidité excessive, l'huile, les produits chimiques et leurs émanations ou autres éléments de détérioration. **Le cordage de sécurité doit être entièrement rentré dans le dispositif lorsqu'il n'est pas utilisé.**

8.0 Cordage de sécurité à remplacement rapide de Miller

Les cordages de sécurité auto-rétractables DuraSeal de Miller peuvent être remplacés sur le terrain. En cas de chute, si l'indicateur de charge est activé en raison d'un chargement, ou si le cordage de sécurité ne passe pas à l'inspection, le cordage de sécurité peut être remplacé sur le terrain, et l'appareil doit être laissé là où il doit être, soit au travail.

8.1 Trousses de remplacement du cordage de sécurité

Trousses de remplacement rapide du cordage de sécurité de Miller (Les trousse comprennent la courroie de montage, un bouchon en caoutchouc, deux vis à épaulement, deux vis de guide d'entrée et deux pinces RFID.)				
Modèles	Description	Longueur	Câble Matériau	Poids
SSRL50GRR	Trousse de remplacement du cordage de sécurité avec câble galvanisé	50 pi (15 m)	3/16 po (5 mm) Acier galvanisé	4,8 lb. (2,2 kg)
SSRL50SRR	Trousse de remplacement du cordage de sécurité avec câble en acier inoxydable		3/16 po (5 mm) Acier inoxydable	
SSRL100GRR	Trousse de remplacement du cordage de sécurité avec câble galvanisé	100 pi (30 m)	3/16 po (5 mm) Acier galvanisé	8,4 lb. (3,8 kg)
SSRL100SRR	Trousse de remplacement du cordage de sécurité avec câble en acier inoxydable		3/16 po (5 mm) Acier inoxydable	
SSRL130GRR	Trousse de remplacement du cordage de sécurité avec câble galvanisé	130 pi (40 m)	3/16 po (5 mm) Acier galvanisé	9,9 lb. (4,5 kg)
SSRL130SRR	Trousse de remplacement du cordage de sécurité avec câble en acier inoxydable		3/16 po (5 mm) Acier inoxydable	
SSRL175GRR	Trousse de remplacement du cordage de sécurité avec câble galvanisé	175 pi (53 m)	3/16 po (5 mm) Acier galvanisé	12,9 lb. (5,9 kg)
SSRL175SRR	Trousse de remplacement du cordage de sécurité avec câble en acier inoxydable		3/16 po (5 mm) Acier inoxydable	



8.2 Remplacement du cordage de sécurité

Outils nécessaires :

- Gants
- Tournevis à six pans (Allen) de 3 mm
- Tournevis à six pans (Allen) de 4 mm
- Petit tournevis à tête plate

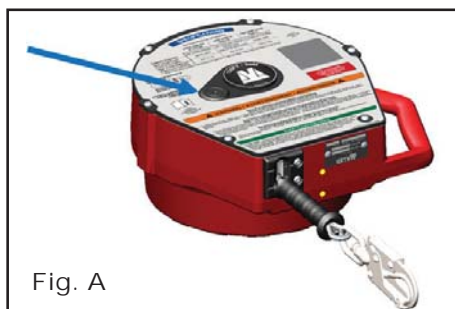
RETRAIT

1 Enlevez le bouchon en caoutchouc sur le couvercle de la plaque de côté à l'aide d'un tournevis plat. (Voir Fig. A)

2 Attachez le CSAR à un ancrage, comme un établi, ou accrochez le CSAR à l'ancrage principal pour changer le cordage de sécurité.

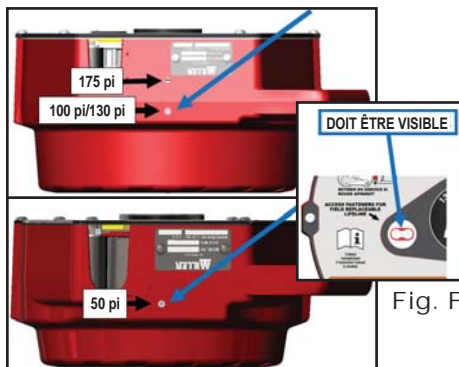
3 À l'aide du tournevis à six pans de 4 mm, enlevez les deux (2) vis sur le guide d'entrée. (Voir Fig. B)

4 Extrayez/tirez tout le cordage de sécurité. L'entrée de guide noire doit aussi se séparer du logement à cette étape. (Voir Fig. C & D)



5 Le cordage de sécurité toujours tiré, à l'aide du tournevis à six pans de 3 mm, serrez (tourner dans le sens des aiguilles d'une montre) la vis fixée à l'intérieur du trou d'accès sur la partie inférieure du CSAR. Assurez-vous que les deux vis à épaulement sur le couvercle de la plaque de côté sont visibles avant de verrouiller la vis fixée.
Remarque : Le trou d'accès est différent dans le cas du modèle de 100 pi/130 pi et du modèle de 175 pi. (Voir Fig. E & F)

Fig. E



6 À l'aide du tournevis à six pans de 3 mm, enlevez les deux (2) vis à épaulement sur le tambour à travers le couvercle de la plaque de côté.
 (Voir Fig. G)

Fig. G



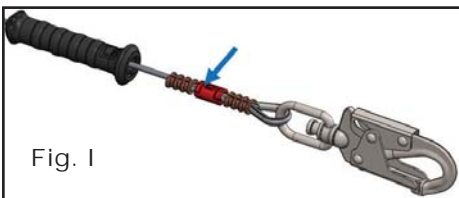
7 Enlevez le cordage de sécurité restant du logement du CSAR. (Voir Fig. H)



8 Faites glisser la poignée de caoutchouc vers le haut du cordage de sécurité pour exposer la pince RFID. (Voir Fig. I)

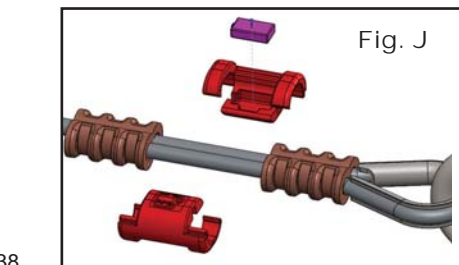
9 Enlevez ensuite la pince RFID en ouvrant les fermoirs qui tiennent les deux pièces ensemble à l'aide d'un petit tournevis à tête plate. (Voir Fig. I)

Fig. I



10 Enlevez l'étiquette RFID de la pince RFID à l'aide d'un petit tournevis à tête plate. Conservez l'étiquette RFID pour un nouveau cordage de sécurité.
 (Voir Fig. J)

Fig. J

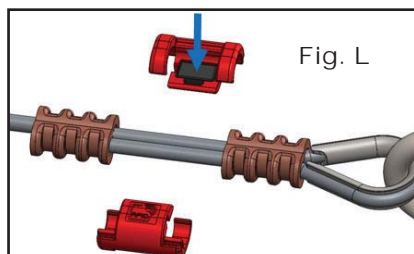


INSTALLATION

1 Faites glisser la poignée de caoutchouc vers le haut du nouveau cordage de sécurité pour exposer les bagues d'extrémité. (Voir Fig. K)

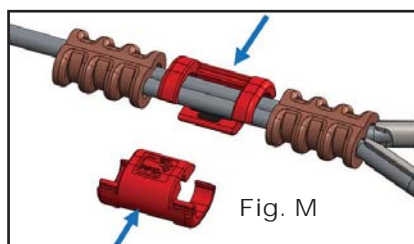


2 Le nouveau cordage de sécurité comprendra deux (2) nouvelles pinces RFID pour attacher l'étiquette RFID originale au nouveau cordage de sécurité. Installez l'étiquette RFID originale dans l'une des nouvelles pinces RFID qui sont fournies. (Voir Fig. L)



3 Faites glisser la moitié de la pince RFID sur le cordage de sécurité entre les bagues d'extrémité. (Voir Fig. M)

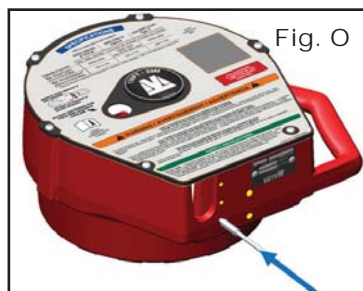
4 Faites ensuite glisser la seconde moitié de la pince RFID sur le cordage de sécurité jusqu'à ce qu'un déclic se fasse entendre. (Voir Fig. M)



5 Faites glisser la poignée de caoutchouc vers le bas du cordage de sécurité pour couvrir les bagues d'extrémité et la pince RFID. (Voir Fig. N)



6 Installez la butée finale du cordage de sécurité dans la partie inférieure du CSAR. **IMPORTANT : La butée finale doit entrer dans la cavité du tambour et doit être visible à travers le trou du couvercle de la plaque de côté.** (Voir Fig. O)



7 À l'aide du tournevis à six pans de 3 mm, installez les deux (2) vis à épaulement sur le tambour à travers le couvercle de la plaque de côté. (Voir Fig. P)

Fig. P



8 En empoignant le cordage de sécurité fermement, desserrez lentement (tourner dans le sens contraire des aiguilles d'une montre) la vis fixée sur la partie inférieure du CSAR. (Voir Fig. Q)

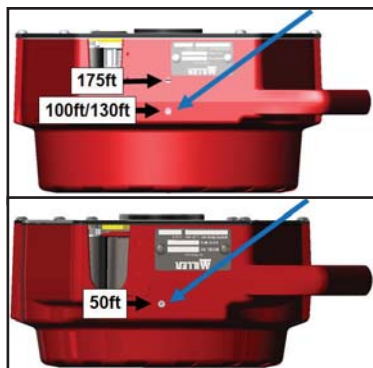


Fig. Q

9 Rétractez lentement tout le cordage de sécurité. **IMPORTANT : NE LÂCHEZ PAS le cordage de sécurité tant que tout le câble d'acier n'a pas rétracté.** (Voir Fig. R)



Fig. R

10 Poussez la bague du guide d'entrée dans le logement. Faites-la ensuite glisser vers la gauche pour engager le côté accroché. (Voir Fig. S)

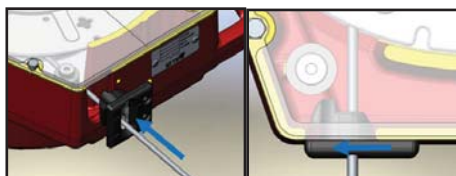


Fig. S

11 À l'aide du tournevis à six pans de 4 mm, installez les deux (2) vis sur le guide d'entrée. (Voir Fig. T)



Fig. T

12 Installez le nouveau bouchon en caoutchouc sur le couvercle de la plaque de côté en appuyant fermement vers le bas au centre du bouchon. (Voir Fig. U)

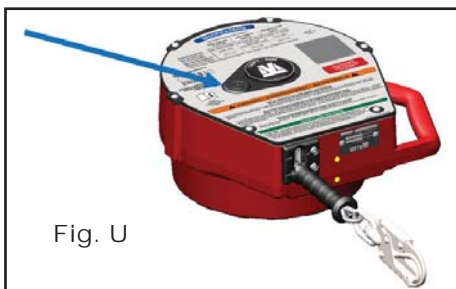


Fig. U

13 Testez la rétraction et le verrouillage du cordage de sécurité conformément aux instructions présentées à la section 7.1 Inspection et test de fonctionnement.

Le remplacement du cordage de sécurité est terminé !

Gracias

Gracias por comprar el equipo de protección contra caídas Miller fabricado por Honeywell Safety Products. Los productos de la marca Miller se elaboran para satisfacer los más altos estándares de calidad en nuestra planta con certificación ISO 9001. El equipo Miller le ofrecerá años de uso si se cuida debidamente.

ADVERTENCIA

Todas las personas que usen este equipo deben leer, entender y seguir las instrucciones. Su incumplimiento puede causar lesiones graves o incluso la muerte. No utilice este equipo si no se ha capacitado debidamente.

¿Alguna pregunta?

LLAME AL
1.800.873.5242

Es muy importante que la persona o el usuario autorizados de este equipo lean y entiendan estas instrucciones. Además, la ley federal exige que los empleadores garanticen que todos los usuarios estén capacitados en la correcta instalación, el uso, la inspección y el mantenimiento de los equipos de protección contra caídas. La capacitación en la protección contra caídas debería ser una parte esencial de un programa de seguridad integral.

El uso adecuado de los sistemas de detención de caídas puede salvar vidas y reducir la posibilidad de lesiones graves causadas por una caída. El usuario debe saber que las fuerzas experimentadas durante la detención de una caída o la suspensión prolongada pueden causar lesiones corporales. Consulte con un médico si tiene alguna pregunta acerca de la capacidad del usuario para utilizar este producto. Las mujeres embarazadas y los niños menores de edad no deben usar este producto.

1.0 Objetivo

La cuerda de salvamento retráctil (SRL, por sus siglas en inglés) DuraSeal de Miller está diseñada para utilizarse en los ambientes más rigurosos, como los yacimientos de gas y petróleo terrestres y de alta mar, las minas y las instalaciones petroquímicas. La tecnología hermética, el sistema de freno reutilizable, la cuerda de salvamento reemplazable en el lugar y los materiales resistentes a la corrosión mantienen el producto en el lugar donde se lo necesita.



2.0 Especificaciones de la serie SRL DuraSeal

2.1 Identificación de los componentes

DISEÑO HERMÉTICO DE LA SRL

- Protege el sistema de freno, el muelle de potencia y los cojinetes.
- Garantiza el máximo rendimiento en todos los ambientes de trabajo.
- Aumenta la vida útil del dispositivo.
- Cumple con las clasificaciones de sellado hermético IP68 & IP69K.

ASA DE TRANSPORTE ERGONÓMICA / CONEXIÓN DE ANCLAJE DE LA CUERDA DE SUJECIÓN SECUNDARIA

- Bien equilibrada, cómoda, fácil de transportar.
- Aprobada para su uso con una correa o un dispositivo de sujeción secundarios, como la eslinga de cable.

CUERDA DE SALVAMENTO MILLER DE RÁPIDO REEMPLAZO

- La cuerda de salvamento puede ser reemplazada por el usuario o por una persona competente en el lugar de trabajo de forma rápida y económica.
- No es necesario retirarla del lugar de uso para reemplazarla.

MOSQUETÓN GIRATORIO DE SEGURIDAD CON INDICADOR DE CARGA

- Disponible en acero enchapado o acero inoxidable.
- El gozne soporta 3600 libras (16 kN) de carga y cumple con los últimos estándares de la industria.
- La conexión giratoria minimiza la torsión de la cuerda de salvamento.
- El indicador visual alerta al usuario de forma clara y concisa cuando el dispositivo ha sido sometido a fuerzas de detención de caídas.

OPCIONES

DE SUJECIÓN DE ANCLAJE

- Anillo de anclaje giratorio de acero inoxidable.
- Placa de montaje de acero inoxidable (*disponible en algunos modelos*)

ARMAZÓN DE ALUMINIO Y ACERO INOXIDABLE

- Hecho de una material duradero y resistente a la corrosión.

CABLE DE SALVAMENTO CON EMPUÑADURA ERGONÓMICA

- Disponible en acero galvanizado y acero inoxidable.
- Permite manipular la cuerda de salvamento de manera segura y cómoda al hacer las conexión.

SISTEMA RFID DE FRECUENCIA ULTRA ALTA

- Permite el seguimiento del dispositivo y simplifica las inspecciones.
- Está integrado en la empuñadura de la cuerda de salvamento para permitir inspecciones rápidas en el lugar de uso.

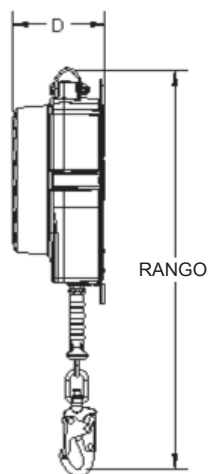
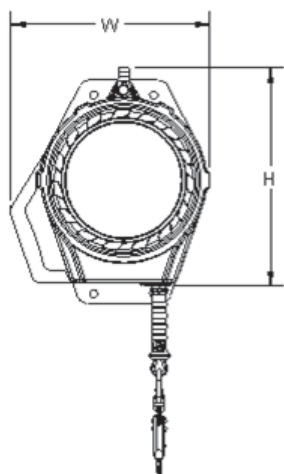
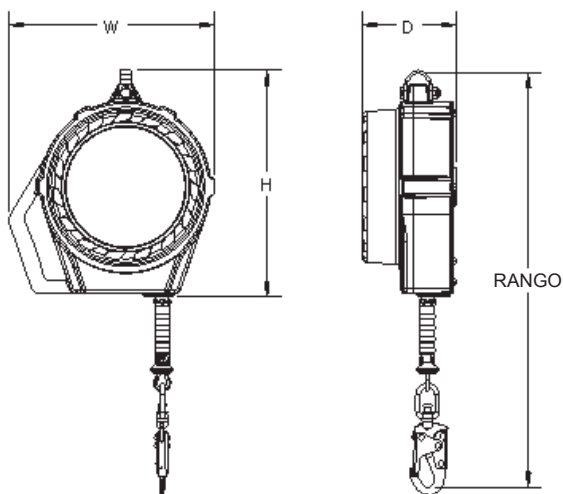


2.2 Modelos, especificaciones y dimensiones

Cuerda de salvamento retráctil DuraSeal™ de Miller				
Modelos	Longitud	Material del cable*	Material del mosquetón*	Peso
SRL hermética con eslinga de cable y cuerda de maniobra de 4 pies (1,2 m) y dos (2) mosquetones				
SSRL50G1	50 pies (15 m)	3/16 in (5 mm) Acero galvanizado	Acero enchapado	27,3 libras (12 kg)
SSRL50S1		3/16 in (5 mm) Acero inoxidable	Acero inoxidable	
SSRL100G1	100 pies (30 m)	3/16 in (5 mm) Acero galvanizado	Acero enchapado	59,7 libras (27 kg)
SSRL100S1		3/16 in (5 mm) Acero inoxidable	Acero inoxidable	
SSRL130G1	130 pies (40 m)	3/16 in (5 mm) Acero galvanizado	Acero enchapado	61,7 libras (28 kg)
SSRL130S1		3/16 in (5 mm) Acero inoxidable	Acero inoxidable	
SSRL175G1	175 pies (53 m)	3/16 in (5 mm) Acero galvanizado	Acero enchapado	76,5 libras (35 kg)
SSRL175S1		3/16 in (5 mm) Acero inoxidable	Acero inoxidable	
SRL sellada con eslinga de cable y cuerda de maniobra de 4 pies (1,2 m), dos (2) mosquetones y placa de montaje con 4 orificios				
SSRL100G2	100 pies (30 m)	3/16 in (5 mm) Acero galvanizado	Acero enchapado	61 libras (28 kg)
SSRL100S2		3/16 in (5 mm) Acero inoxidable	Acero inoxidable	
SSRL130G2	130 pies (40 m)	3/16 in (5 mm) Acero galvanizado	Acero enchapado	63 libras (29 kg)
SSRL130S2		3/16 in (5 mm) Acero inoxidable	Acero inoxidable	
SSRL175G2	175 pies (53 m)	3/16 in (5 mm) Acero galvanizado	Acero enchapado	77,9 libras (35 kg)
SSRL175S2		3/16 in (5 mm) Acero inoxidable	Acero inoxidable	
*Las otras piezas y sus materiales son: armazón de aluminio fundido, mecanismo de bloqueo de acero inoxidable, resortes de acero inoxidable, guía de inserción de nailon resistente al desgaste y placa de montaje de acero inoxidable.				

Accesorios DuraSeal™ de Miller		
Modelos	Descripción	Peso
SSRLTRK	Juego de reemplazo de la cuerda de sujeción/eslinga de cable (incluye mosquetón de acero inoxidable)	3,8 libras (1,7 kg)
SSRLC	Mosquetón de acero inoxidable	0,47 libras (0,21 kg)
17D-1/	Mosquetón de acero enchapado	0,5 libras (0,22 kg)

SRL DuraSeal



SRL DuraSeal
con una placa
de montaje con
4 orificios

Dimensiones del dispositivo			
	Alt.	Anch.	Prof.
50 pies (15 m)	12,8 in (325 mm)	11,8 in (300 mm)	4,9 in (125 mm)
100 pies (30 m)	15,7 in (399 mm)	14,4 in (366 mm)	6,6 in (168 mm)
130 pies (40 m)	15,7 in (399 mm)	14,4 in (366 mm)	6,6 in (168 mm)
175 pies (53 m)	15,7 in (399 mm)	14,4 in (366 mm)	7,8 in (198 mm)

3.0 Requisitos generales, advertencias y restricciones

3.1 Requisitos generales de protección contra caídas

A las personas o los usuarios autorizados se les debe brindar todas las advertencias e instrucciones.

Todas las personas o los usuarios autorizados deben citar las normas que rigen la seguridad del trabajo, así como también las normas aplicables ANSI o CSA. Consulte la etiqueta del producto para obtener información sobre las regulaciones específicas de OSHA y las normas de ANSI y CSA que cumple dicho producto.

Siempre se deben tomar las precauciones adecuadas para eliminar de la zona de trabajo cualquier obstrucción, escombros, materiales u otros riesgos identificados que pudieran causar lesiones o interferir en el funcionamiento del sistema.

Todo el equipo debe ser inspeccionado de acuerdo con las instrucciones del fabricante antes de cada uso.

Una persona calificada debe inspeccionar todo el equipo regularmente.

Para minimizar la posibilidad de desenganche accidental, una persona competente deberá garantizar la compatibilidad del sistema.

El equipo no debe ser alterado de ninguna manera. Solo el fabricante o las personas o entidades autorizadas por escrito por el fabricante pueden realizar las reparaciones, a excepción de la cuerda de salvamento reemplazable en el lugar (consultar 8.0).

Los productos que presenten deformidades, desgaste inusual o deterioro deben desecharse de inmediato.

Cualquier equipo que haya sufrido una caída debe dejar de utilizarse.

La persona o el usuario autorizados deberán tener un plan de rescate y medios a su alcance para aplicarlos cuando utilicen este equipo.

No utilice nunca el equipo de protección contra caídas para fines distintos de aquellos para los que fue diseñado. El equipo de protección contra caídas nunca debe utilizarse para la tracción o elevación de cargas.

Los peligros ambientales deberían ser considerados al seleccionar el equipo de protección contra caídas. El equipo no debe exponerse a condiciones ambientales peligrosas ni a sustancias químicas que podrían causar un efecto nocivo. El uso en un ambiente corrosivo o cáustico requiere de un programa de inspección y mantenimiento más frecuentes para garantizar que se mantenga la integridad del producto.

No permita que el equipo entre en contacto con nada que pueda dañarlo, incluidos, entre otros, las superficies filosas, abrasivas, ásperas o de alta temperatura, las soldaduras, las fuentes de calor, los peligros eléctricos o la maquinaria en movimiento.

No exponga el equipo a peligros que no pueda soportar de acuerdo a su diseño. Consulte con el fabricante en caso de dudas.

Compruebe siempre que no haya obstrucciones debajo del área de trabajo para asegurarse de que el trayecto posible de caída esté libre.

Deje un espacio libre de caída adecuado debajo de la superficie de trabajo.

No quite nunca del producto las etiquetas que incluyan advertencias e información importante para la persona o el usuario autorizados.

3.2 Advertencias y restricciones

Capacidad*

La SRL solo puede ser utilizada por UNA persona. La capacidad máxima es de 420 libras (190,5 kg), incluido el peso corporal, de la indumentaria y de las herramientas.

**Si un empleado cuyo peso corporal y de sus herramientas combinado ronda entre las 310 libras (140,6 kg) y las 420 libras (190,5 kg), utiliza el dispositivo, el empleador debe modificar adecuadamente los criterios y los protocolos a fin de proporcionar una protección adecuada para estas cargas más pesadas; de lo contrario, se considerará que el sistema no cumple con los requisitos de OSHA 1926.502(d)(16). [El rango de capacidad de ANSI es de 130 a 310 libras (de 59 kg a 140,6 kg).]*

Límites de uso

Dispositivo de anclaje verticalmente elevado. A los efectos del presente manual de instrucciones, una aplicación elevada implica que la cuerda de salvamento no esté floja cuando el dispositivo esté ubicado por encima del usuario y conectado al anillo en D posterior del usuario.

Nunca trabaje por encima del dispositivo.

Este dispositivo no es adecuado para su uso en bordes horizontales/frontales ni para usos horizontales.

El dispositivo debe instalarse y utilizarse de tal manera que se minimice la posibilidad de una caída oscilante. El usuario nunca debe estar expuesto a un riesgo de caída oscilante.

No permita que la cuerda de salvamento se afloje.

Nunca utilice este dispositivo como un dispositivo de restricción o posicionamiento.

Requisitos de anclaje

El anclaje debe ser capaz de soportar 5000 libras (22,2 kN) por trabajador o debe diseñarse, instalarse y utilizarse bajo la supervisión de una persona calificada como parte de un sistema completo de detención de caídas que mantenga un factor de seguridad de dos.

Los requisitos de anclaje de ANSI son los siguientes:

- En el caso de los sistemas de detención de caídas, los anclajes deben soportar una carga estática de 5000 libras (22,2 kN)

para anclajes no certificados o dos veces la fuerza máxima de detención para los anclajes certificados.

- Cuando más de un sistema personal de detención de caídas se conecta a un anclaje, las resistencias del anclaje antes mencionadas deben ser multiplicadas por el número de sistemas personales de detención de caídas conectados al anclaje.

Caída libre

Los sistemas personales de detención de caídas deben utilizarse para limitar una caída libre a la distancia más corta posible [6 pies (1,8 m) como máximo].

Fuerzas de detención de caídas

Las SRL DuraSeal de Miller están diseñadas con amortiguador incorporado para limitar las posibles fuerzas de detención de caídas a 900 libras (4 kN) en promedio y 1800 libras (8 kN) como máximo.

Retracción y bloqueo de la cuerda de salvamento

No utilice el dispositivo si este no se retrae. Siempre mantenga la cuerda de salvamento tensionada mientras esta se retraiga.

Se debe probar el sistema de bloqueo del dispositivo antes de cada uso. No utilice el dispositivo si los frenos no se activan.

Mantenimiento y reparación

No lubrique este dispositivo.

Las cuerdas de salvamento retráctiles deben dejar de utilizarse si cualquier parte del sistema parece estar dañada o no supera la inspección, o si el dispositivo ha sido sometido a las fuerzas de detención de una caída.

No intente reparar este dispositivo, a excepción de la cuerda de salvamento reemplazable en el lugar. Si un dispositivo de cuerda de salvamento retráctil no funciona correctamente o si sus componentes, excepto la cuerda de salvamento, necesitan reparación, envíe el dispositivo a su fabricante o a un centro de servicio técnico autorizado por escrito por el fabricante, para su reparación.

4.0 Compatibilidad del sistema

Las cuerdas de salvamento retráctiles de Miller están diseñadas para utilizarse solo con los componentes aprobados por Honeywell. La sustitución o el reemplazo por combinaciones o subsistemas de componentes no aprobados o ambos puede afectar o interferir en el funcionamiento seguro entre ellos y poner en peligro la compatibilidad dentro del sistema. Esta incompatibilidad puede afectar la fiabilidad y seguridad de todo el sistema.

4.1 Componentes del Sistema personal de **detención de caídas**

Los tres componentes principales del sistema personal de detención de caídas (PFAS, por sus siglas en inglés) deben estar en su lugar y ser utilizados correctamente para proporcionar la máxima protección a los trabajadores.

ANCLAJE/CONECTOR DE ANCLAJE

El primer componente es el anclaje/conector de anclaje. El anclaje, también denominado punto de anclaje o punto de amarre, es un punto seguro de sujeción, como una viga en I u otra estructura de soporte. A veces es necesario un conector de anclaje, tal como una correa de sujeción o un perno de anclaje en D, para realizar una conexión compatible entre el dispositivo de conexión y el anclaje.

EQUIPO CORPORAL

El segundo componente del sistema es el soporte corporal personal usado por el trabajador durante el desempeño de su trabajo. El arnés de cuerpo completo es el único equipo corporal aceptable para la detención de caídas. Los arneses de cuerpo completo están diseñados para distribuir las fuerzas producidas por las caídas y deben utilizarse en todas las situaciones en las que los trabajadores estén expuestos a una posible caída libre.

DISPOSITIVO DE CONEXIÓN

El tercer componente del sistema es el dispositivo de conexión, el enlace fundamental que une el equipo corporal al anclaje/conector de anclaje. La característica más importante del dispositivo de conexión es el amortiguador. El dispositivo de conexión, sea una cuerda de amortiguación de impacto o una cuerda de salvamento retráctil, está diseñado para reducir drásticamente la fuerza de detención de caídas.

Ninguno de estos componentes proporcionará de manera individual protección contra una caída. Sin embargo, cuando se utilizan correctamente y combinados entre sí, forman un sistema personal de detención de caídas que resulta sumamente importante para la seguridad en el lugar de trabajo.

ADVERTENCIA

Consulte siempre las regulaciones y las normas relativas a los requisitos de los componentes del sistema personal de detención de caídas y las instrucciones proporcionadas con cada componente que se utiliza como parte del sistema personal de detención de caídas.

5.0 Instalación/Usó

ADVERTENCIA: Las cuerdas de salvamento retráctiles DuraSeal deben ser inspeccionadas y sometidas a pruebas de funcionamiento antes de cada uso (**consultar 7.0 Inspección y mantenimiento**).

5.1 Instalación elevada típica

ADVERTENCIA: El instalador de la cuerda de salvamento retráctil no debe estar expuesto a riesgos de caídas al momento de conectar la SRL.

Anclaje de la cuerda de sujeción secundaria Uso de la eslinga de cable

Antes de conectar la cuerda de salvamento retráctil al anclaje de detención de caídas, puede ser aconsejable conectar la SRL a un anclaje de cuerda de sujeción secundaria para brindar protección contra la caída de la SRL durante la instalación. Además, puede ser aconsejable mantener la conexión de una cuerda de sujeción secundaria una vez que la SRL esté instalada según las condiciones de trabajo y la aplicación. Se puede utilizar la eslinga de cable (ver Fig. 1) o bien un conector de anclaje alternativo o un dispositivo de conexión para conectar la SRL al anclaje de cuerda de sujeción secundaria. Siempre conecte la cuerda o el dispositivo de sujeción secundarios al asa de la SRL. Para conectar la eslinga de cable, envuelva el cable alrededor de la asa e inserte el anillo más pequeño en el anillo más grande. Luego enganche un mosquetón al anillo más pequeño y conecte el mosquetón al anclaje/conector de anclaje. Si se utiliza un conector de anclaje o un dispositivo de conexión alternativos, siga las instrucciones proporcionadas con el equipo para garantizar que se realice una conexión adecuada y compatible.

Anclaje de detención de caídas

Encuentre un anclaje elevado aprobado*. (Consulte los requisitos de anclaje en el punto 3.2 de este manual.)

Montaje del anillo de anclaje

Conecte la SRL al anclaje por el anillo de anclaje usando el mosquetón de seguridad (ver Fig. 2a). Si es necesario, se puede utilizar la eslinga de cable para sujetarse a un anclaje, como una viga I (ver Fig. 2b). Coloque la eslinga de cable alrededor del anclaje e inserte el anillo más pequeño en el anillo más grande. Luego conecte el mosquetón de la SRL al anillo más pequeño. Asegúrese de que el conector esté completamente cerrado y trabado y que su gozne no esté en una posición en la cual tenga que soportar la carga. Si utiliza un conector de anclaje alternativo, asegúrese de que sea compatible con el conector de anclaje y de la SRL en cuanto a la resistencia, el tamaño y la forma. Siga todas las instrucciones proporcionadas con el conector de anclaje alternativo.

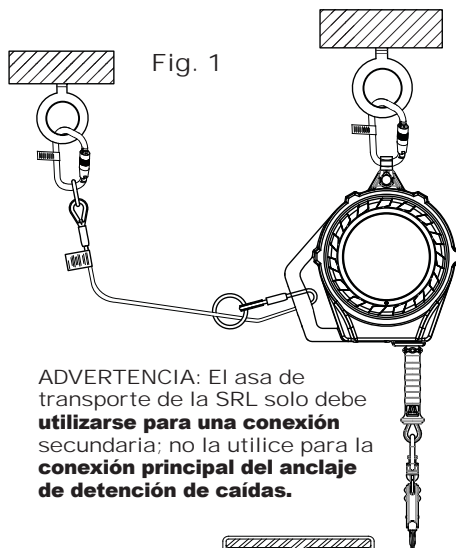


Fig. 1

ADVERTENCIA: El asa de transporte de la SRL solo debe utilizarse para una conexión secundaria; no la utilice para la **conexión principal del anclaje de detención de caídas**.

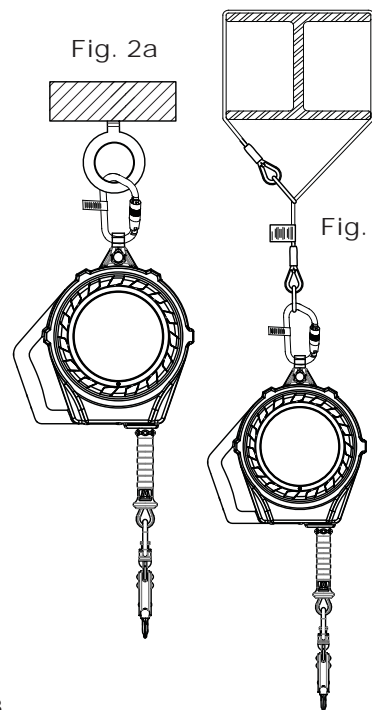


Fig. 2a

Fig. 2b

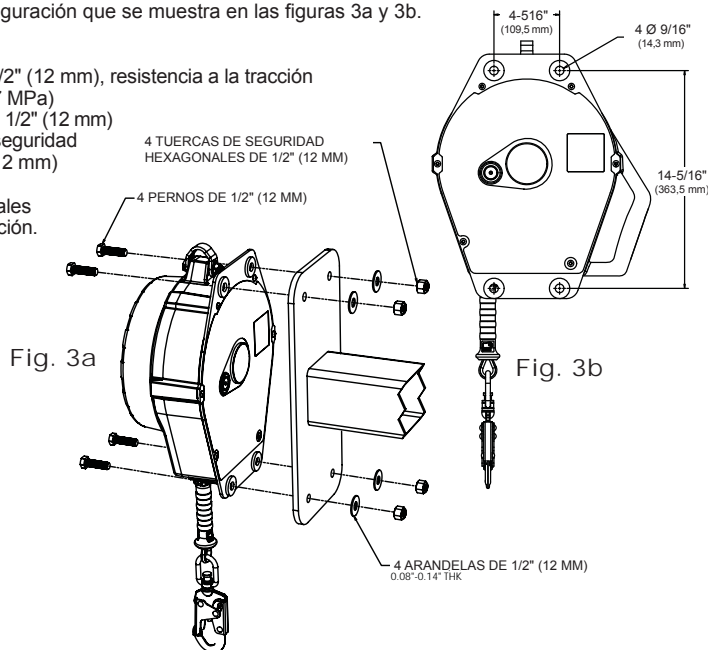
Placa de montaje

En el caso de las SRL DuraSeal con la placa de montaje incorporada, coloque la placa de montaje en la superficie de anclaje o montaje con los materiales necesarios según las indicaciones proporcionadas y la configuración que se muestra en las figuras 3a y 3b.

Materiales necesarios:

- Cuatro (4) pernos de 1/2" (12 mm), resistencia a la tracción mínima de 75 KSI (517 MPa)
- Cuatro (4) arandelas de 1/2" (12 mm)
- Cuatro (4) tuercas de seguridad hexagonales de 1/2" (12 mm)

Utilice siempre los materiales aprobados para la instalación.



[*Nota: A los efectos del presente manual de instrucciones, una aplicación elevada implica que la cuerda de salvamento no esté floja cuando el dispositivo esté ubicado por encima del usuario y conectado al anillo en D posterior del usuario. Para aplicaciones que no sean elevadas, contáctese con el Servicio técnico de Honeywell antes de proceder.]

5.2 Conexión del sistema personal de detención de caídas/Uso

Conexión del dispositivo con el arnés de cuerpo completo

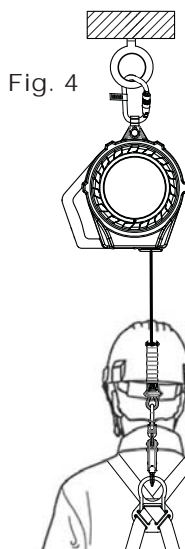
Usando el cable de maniobra, tire del mosquetón de la SRL, desconecte el cable de maniobra y conecte el mosquetón al elemento de sujeción dorsal (anillo en D posterior) del arnés de cuerpo completo. Asegúrese de que el mosquetón esté completamente cerrado y trabado.

ADVERTENCIA: Enrolle y asegure la cuerda de maniobra para evitar que se enrede o entre en contacto con los trabajadores, los equipos o la maquinaria.

Uso

Una vez sujetado, el trabajador puede moverse por la zona de trabajo recomendada.

Cuando termine de trabajar y se desconecte de la SRL, vuelva a conectar la presilla de la cuerda de maniobra al mosquetón de la SRL antes de dejar que la cuerda de salvamento se retraiga. Siempre retraiga la cuerda de salvamento de manera controlada.



6.0 Cálculo del espacio libre de caída

Es esencial entender cómo calcular el espacio libre de caída necesario para cada aplicación de trabajo a fin de evitar el contacto con un nivel inferior.

Se pueden utilizar los diagramas y los cálculos básicos de la siguiente página para determinar el espacio libre de caída necesario cuando se utiliza una cuerda de salvamento retráctil en una aplicación elevada. Para un enfoque más automatizado en el cálculo del espacio libre de caída necesario, acceda a la calculadora Miller en línea del espacio libre de caída:

www.millerfallprotection.com/fallclearance

Cálculo del espacio libre de caída de la cuerda de salvamento retráctil

[Cálculo realizado desde el nivel de trabajo]

Distancia máxima de detención
 + (Factor de posición laboral que no sea de pie)
 + (Factor de caída oscilante)
 + **Factor de seguridad de 3 pies (0,9 m)**
 = Espacio libre de caída necesario

PRECAUCIÓN: Lea todas las notas y consulte todos los diagramas y etiquetas relacionados con el espacio libre de caída de la cuerda de salvamento retráctil para determinar el espacio libre exacto de caída necesario para su aplicación.

Espacio libre de caída mínimo necesario desde el nivel de trabajo a un nivel inferior*

Distancia máxima de detención de la SRL	Cuando se trabaja directamente debajo del punto de anclaje			Quando NO se trabaja directamente debajo del punto de anclaje
	Parado	De rodillas/ En cuclillas	En posición horizontal	En posición de posible caída oscilante
42 in (1,1 m)	6 pies 6 in (2 m)	9 pies 6 in (2,9 m)	11 pies 6 in (3,5 m)	Varía: se requiere más espacio libre de caída
54 in (1,4 m)	7 pies 6 in (2,3 m)	10 pies 6 in (3,2 m)	12 pies 6 in (3,8 m)	

*Esta tabla muestra de forma general los espacios libres de caída mínimos necesarios. Se debe realizar un cálculo exacto en función de la SRL que se utilizará y de una evaluación del lugar y las condiciones de trabajo que puedan afectar al espacio libre de caída del trabajador.

NOTAS IMPORTANTES:

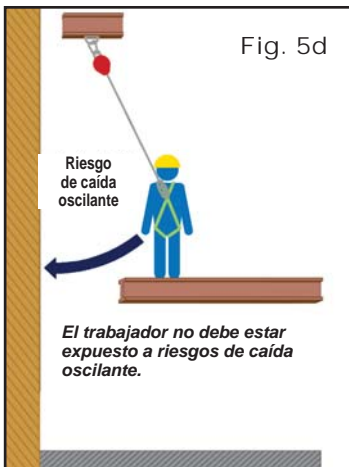
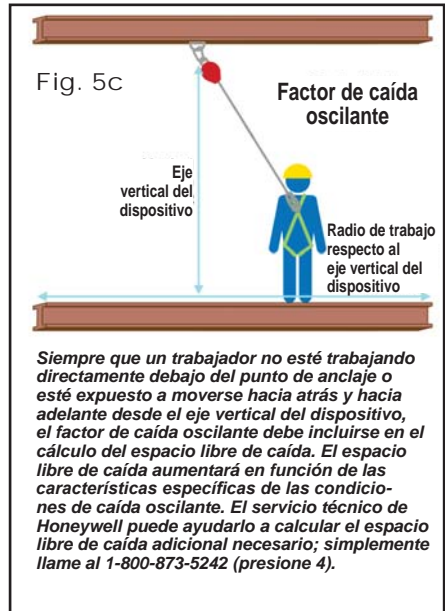
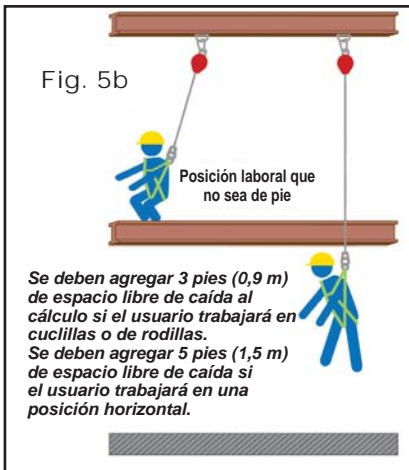
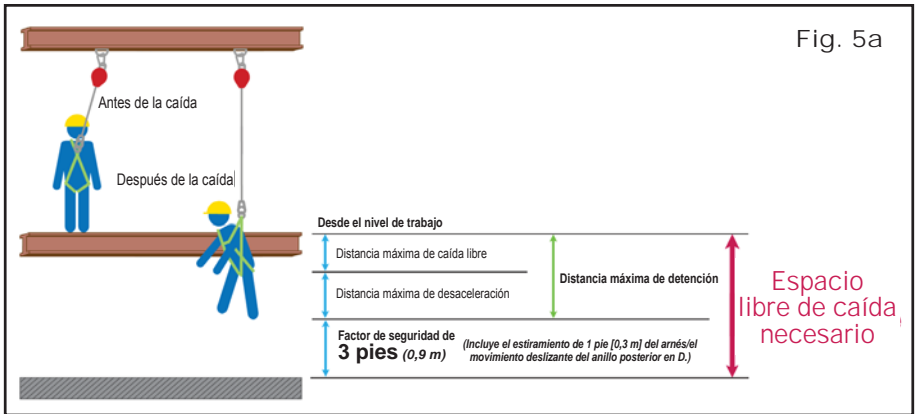
Las cuerdas de salvamento retráctiles deben estar ancladas en una posición elevada para garantizar la exactitud del cálculo del espacio libre de caída y de cualquier información relacionada.

Es importante entender que otros factores, como por ejemplo si el usuario está realizando el trabajo parado, en cuclillas o acostado o si el usuario está trabajando directamente debajo del punto de anclaje o en un ángulo pueden afectar la distancia de caída cuando se utiliza un dispositivo retráctil.

El cálculo del espacio libre de caída de la cuerda de salvamento retráctil da por hecho que el usuario está de pie. Si el usuario realizará el trabajo en cuclillas o de rodillas, se requieren otros 3 pies (0,9 m) de espacio libre de caída. Si el usuario realizará el trabajo en una posición horizontal, se requieren otros 5 pies (1,5 m) de espacio libre de caída.

El cálculo del espacio libre de caída de la cuerda de salvamento retráctil también da por hecho que el usuario está trabajando directamente debajo del punto de anclaje, lo cual reduce al mínimo cualquier posibilidad de una caída oscilante. En una situación de caída oscilante, la distancia total de caída será mayor que la distancia de caída si el usuario está trabajando directamente debajo del punto de anclaje. En algunas ocasiones, puede que no sea posible trabajar directamente debajo del punto de anclaje. En tal caso, el trabajador debe aumentar el espacio libre de caída para contrarrestar el factor de caída oscilante. En cualquier caso, el trabajador no debe estar expuesto a una posible caída oscilante en la cual pueda entrar en contacto con otro objeto.

La distancia máxima de detención (caída libre + desaceleración) varía según el dispositivo retráctil. Consulte siempre las etiquetas del dispositivo específico para determinar la distancia máxima de detención.



Si tiene alguna pregunta sobre cómo calcular el espacio libre de caída, contáctese con un representante del servicio técnico de Honeywell:

1-800-873-5242 (presione 4)

7.0 Inspección y mantenimiento

7.1 Pruebas de inspección y funcionamiento

Los requisitos de inspección de Honeywell Safety Products incorporan los criterios establecidos por las normas de seguridad vigentes. Los criterios de inspección del equipo serán fijados por la organización del usuario, de manera que sean iguales o superiores a los criterios exigidos por el fabricante y las normas las que la organización elige cumplir.

El equipo deberá ser inspeccionado a fondo y sometido a pruebas de funcionamiento por el usuario antes de cada uso y, además, por una persona competente que no sea el usuario, en intervalos regulares de no más de un año a fin de detectar lo siguiente:

*[*ANSI Z359.14 proporciona requisitos de inspección adicionales en función del tipo y las condiciones de uso. Consulte 7.1.1 ANSI Z359.14 - Apéndice A: Requisitos de inspección para el cumplimiento de esta norma.]*

- ✓ La ausencia o ilegibilidad de las marcas/etiquetas
 - ✓ La ausencia de cualquier elemento que afecte a la forma, el ajuste o la función del equipo
 - ✓ Evidencia de defectos o daños en el cable de salvamento (o la eslinga de cable), incluidos los cortes, los filamentos rotos, la corrosión, las torceduras, la abrasión, los ataques químicos, la alteración, el envejecimiento excesivo y el desgaste excesivo
- PRECAUCIÓN:** Utilice siempre guantes cuando inspeccione los cables **de salvamento ya que los filamentos rotos pueden causar lesiones.**
- ✓ Daños en el cable de salvamento que afectan a su funcionamiento

Retracción: - Cuando el dispositivo esté montado, pruebe la retracción y la tensión de la cuerda de salvamento sacando varios metros de cable y dejando que se retraiga. Mantenga siempre la cuerda de salvamento levemente tensionada ya que se retrae. La cuerda de salvamento debe salir del armazón libremente y retraerse completamente dentro del dispositivo. Si la cuerda de salvamento no sale con facilidad o se pega al retractarse, saque todo el cable del armazón y deje que se retraiga lentamente bajo tensión. No utilice el dispositivo si la cuerda de salvamento no se retrae correctamente.

PRECAUCIÓN: No suelte la cuerda de salvamento ni permita que se retraiga sola; siempre manténgala tensionada mientras se retrae.

Mecanismo de bloqueo - El mecanismo de freno puede probarse agarrando la cuerda de salvamento por encima del indicador de carga y tirando de ella de manera brusca y constante, lo cual activará los frenos. El cable no debería deslizarse cuando los frenos estén activados. Una vez que se libere la tensión, los frenos se desactivarán y el dispositivo volverá al modo retráctil.

- ✓ Evidencia de defectos o daños en los elementos de hardware, incluidos los bordes ásperos o afilados, las grietas, las roturas, las deformaciones, la corrosión, los ataques químicos, el calentamiento excesivo, las superficies agujereadas, la alteración y el desgaste excesivo.

Daños que afecten al funcionamiento de los componentes.

Gancho de cierre instantáneo/mosquetón: El gatillo (puerta) del mosquetón debe apoyarse dentro del ojal sin trabarse y no debe estar deformado ni obstruido. El resorte del gatillo debe ejercer una fuerza suficiente como para cerrarlo firmemente. El mecanismo de cierre del gatillo debe impedir que el gatillo se abra una vez cerrado.

Conexiones giratorias: Las conexiones giratorias del mosquetón y del anclaje deben funcionar sin problemas.

- ✓ Evidencia de defectos o daños en el armazón hermético o de sujetadores sueltos o faltantes.
- ✓ Evidencia de los indicadores de carga de la caída utilizados o activados.

El indicador de impacto de carga del mosquetón viene integrado en la parte giratoria del mosquetón. Cuando se lo somete a fuerzas de detención de caídas, el ojo giratorio se alarga y se puede ver una zona roja en el lugar ilustrado.

Fig. 6



⚠ ADVERTENCIA

El equipo deberá dejarse de usar de inmediato si las pruebas de **inspección y funcionamiento revelan defectos o daños en el equipo, un mantenimiento inadecuado del equipo o evidencia de que el equipo haya sido sometido a fuerzas de carga o de detención de caídas.**

7.1.1 ANSI Z359.14 - Apéndice A:

Requisitos de inspección

La persona o el usuario autorizados siempre deben inspeccionar el equipo antes de cada uso. Además, ANSI Z359.14 exige que una persona competente (que no sea el usuario) lleve a cabo las inspecciones según la siguiente tabla. (*Consultar nota en 7.2 Mantenimiento)

ANSI Z359.14 - Apéndice A: Requisitos de inspección

Tipo de uso	Ejemplos de uso	Condiciones de uso	Frecuencia de inspección por una persona competente
Poco frecuente a ocasionalmente	Rescates & y espacios confinados, mantenimiento de fábricas	Buenas condiciones de almacenamiento, uso en interiores o uso poco frecuente en exteriores, temperatura ambiente, ambientes limpios	Anualmente
Moderado a seguido	Transporte, construcciones de viviendas, servicios públicos, depósitos	Condiciones de almacenamiento aceptables, uso en interiores y uso prolongado en exteriores, todas las temperaturas, ambientes limpios o polvorientos	Cada seis meses o un año
Intenso a continuo	Construcciones de comercios, yacimientos & de gas y petróleo, minas	Condiciones de almacenamiento rigurosas, uso prolongado o continuo en exteriores, todas las temperaturas, ambientes sucios	Cada tres o seis meses

7.2 Mantenimiento

Los cuidados básicos de los equipos de protección contra caídas prolongarán su vida útil y contribuirán al desempeño de su función de seguridad vital.

Mantenimiento

A excepción de la cuerda de salvamento reemplazable en el lugar, el mantenimiento de las cuerdas de salvamento retráctiles de Miller solo debe ser realizado por Honeywell Safety Products o personas o entidades autorizadas por escrito por Honeywell. Se debe mantener un registro con todas las fechas de mantenimiento e inspección de este dispositivo. Solo se autoriza el uso de repuestos originales de Miller en este dispositivo. Los dispositivos reparables deben enviarse a nuestras instalaciones o a un centro de servicio técnico aprobado para su inspección física y recertificación siempre que se los haya sometido a fuerzas de detención de caídas. Los dispositivos que no se puedan reparar y que no superen la inspección deben desecharse de manera que se evite su uso posterior accidental. Comuníquese con su distribuidor de Honeywell o llame al Servicio técnico de Honeywell al 1-800-873-5242 para obtener un número de autorización de devolución.

Las cuerdas de salvamento retráctiles de Miller no requieren recertificación anual de fábrica.

*Honeywell Safety Products, como el fabricante, no exige recertificación anual de fábrica para las cuerdas de salvamento retráctiles de Miller. El cumplimiento de las normas ANSI Z359.14 y CSA Z259.2.2 es voluntario y, en última instancia, el usuario final o la empresa deben optar por seguir los requisitos de inspección y recertificación si desean que el dispositivo cumpla con estas normas.

*[Nota para los productos aprobados por CSA: CSA Z259.2.2 exige que los dispositivos de tipo 2 se envíen al fabricante o a un agente de servicio técnico aprobado no más de 2 años después de la fecha establecida por fabricante para su inspección y mantenimiento y posteriormente cada año.]

Limpieza y almacenamiento

Limpie periódicamente el exterior del dispositivo y limpie la cuerda de salvamento con un paño húmedo y detergente suave.

Cuando no se utilice, el equipo debe almacenarse de forma que se evite el daño causado por los factores ambientales, como la temperatura, la luz, los rayos UV, la humedad excesiva, el petróleo, los productos químicos y sus vapores u otros elementos degradantes. **La cuerda de salvamento debe estar completamente retraída en el dispositivo cuando no se lo use.**

8.0 Cuerda de salvamento Miller de rápido reemplazo

Las cuerdas de salvamento retráctiles DuraSeal de Miller cuentan con una cuerda de salvamento reemplazable en el lugar. En el caso de una caída, si la cuerda de salvamento no supera la inspección o si el indicador de carga se ha activado debido a una carga, la cuerda de salvamento puede reemplazarse en el lugar de uso, lo cual mantiene al dispositivo donde es necesario: en el lugar de trabajo.

8.1 Juegos de reemplazo de la cuerda de salvamento

Juegos de cuerdas de salvamento Miller				
Modelos	Descripción	Longitud	Cable Material	Peso
SSRL50GRR	Juego de reemplazo del cable de salvamento galvanizado	50 pies (15 m)	3/16 in (5 mm) Acero galvanizado	4,8 libras (2,2 kg)
SSRL50SRR	Juego de reemplazo del cable de salvamento de acero inoxidable		3/16 in (5 mm) Acero inoxidable	
SSRL100GRR	Juego de reemplazo del cable de salvamento galvanizado	100 pies (30 m)	3/16 in (5 mm) Acero galvanizado	8,4 libras (3,8 kg)
SSRL100SRR	Juego de reemplazo del cable de salvamento de acero inoxidable		3/16 in (5 mm) Acero inoxidable	
SSRL130GRR	Juego de reemplazo del cable de salvamento galvanizado	130 pies (40 m)	3/16 in (5 mm) Acero galvanizado	9,9 libras (4,5 kg)
SSRL130SRR	Juego de reemplazo del cable de salvamento de acero inoxidable		3/16 in (5 mm) Acero inoxidable	
SSRL175GRR	Juego de reemplazo del cable de salvamento galvanizado	175 pies (53 m)	3/16 in (5 mm) Acero galvanizado	12,9 libras (5,9 kg)
SSRL175SRR	Juego de reemplazo del cable de salvamento de acero inoxidable		3/16 in (5 mm) Acero inoxidable	



8.2 Reemplazo de la cuerda de salvamento

Herramientas necesarias:

- Guantes
- Destornillador hexagonal (allen) de 3 mm
- Destornillador hexagonal (allen) de 4 mm
- Destornillador plano pequeño

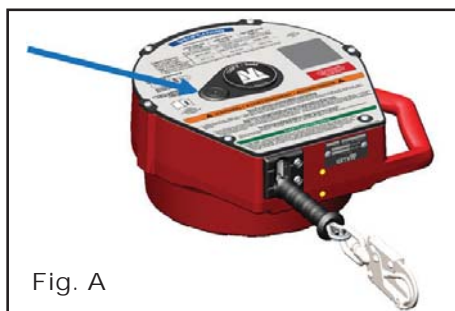
EXTRACCIÓN

1 Quite el tapón de goma de la cubierta de la placa lateral con un destornillador plano. (Ver Fig. A)

2 Fije la SRL a un anclaje, como un banco de trabajo, o cuelgue la SRL por el anclaje principal para cambiar la cuerda de salvamento.

3 Con el destornillador hexagonal de 4 mm, quite los dos (2) tornillos de la guía de inserción. (Ver Fig. B)

4 Saque toda la cuerda de salvamento. La guía de inserción negra también debe separarse del armazón en este paso. (Ver Fig. C y D)



5 Ahora que la cuerda de salvamento está fuera del armazón, con el destornillador hexagonal de 3 mm, ajuste (en sentido de las agujas del reloj) el tornillo de ajuste dentro del orificio de acceso, en la parte inferior de la SRL. Asegúrese de que los dos tornillos de tope de la cubierta de la placa lateral puedan verse antes de colocar el tornillo de ajuste. *Nota: el orificio de acceso es diferente en el modelo de 100 pies (30 m)/130 pies (40 m) y en el modelo 175 pies (53 m).* (Ver Fig. E y F)

Fig. E

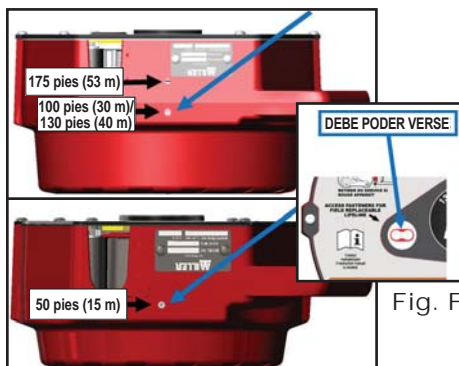


Fig. F

6 Con el destornillador hexagonal de 3 mm, quite los dos (2) tornillos de tope del tambor a través de la cubierta de la placa lateral. (Ver Fig. G)



Fig. G

7 Quite el resto de la cuerda de salvamento del armazón de la SRL. (Ver Fig. H)



Fig. H

8 Deslice la empuñadura de goma hacia arriba por la cuerda de salvamento para dejar al descubierto la presilla del RFID. (Ver Fig. I)

9 Luego quite la presilla del RFID separando, con un destornillador plano pequeño, los broches que mantienen las dos partes unidas. (Ver Fig. I)

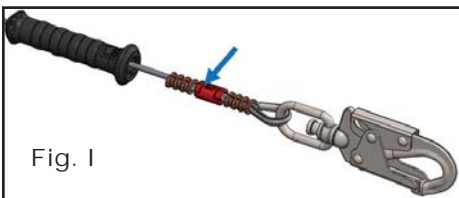


Fig. I

10 Quite la etiqueta RFID de la presilla del RFID con un destornillador plano pequeño. Guarde la etiqueta RFID para la nueva cuerda de salvamento. (Ver Fig. J)

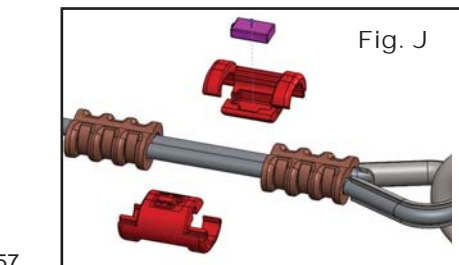


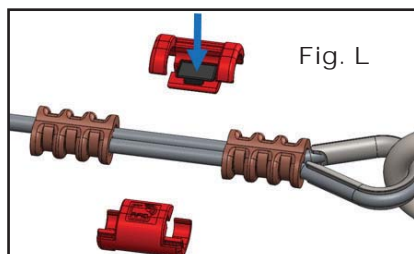
Fig. J

INSTALACIÓN

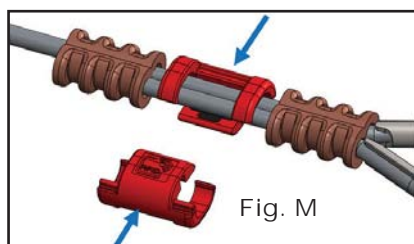
1 Deslice la empuñadura de goma hacia arriba por la nueva cuerda de salvamento para dejar al descubierto las abrazaderas. (Ver Fig. K)



2 La nueva cuerda de salvamento incluirá dos (2) nuevas presillas del RFID para asegurar la etiqueta RFID original a la nueva cuerda de salvamento. Coloque la etiqueta RFID original en una de las nuevas presillas del RFID proporcionadas. (Ver Fig. L)



3 Deslice una de las presillas del RFID por la cuerda de salvamento entre las abrazaderas. (Ver Fig. M)

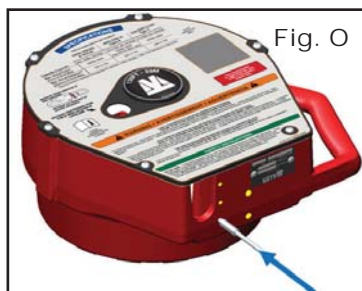


4 Luego deslice la segunda presilla del RFID por la cuerda de salvamento hasta que oiga un chasquido. (Ver Fig. N)



5 Deslice la empuñadura de goma hacia abajo por la cuerda de salvamento para cubrir las abrazaderas y la presilla del RFID. (Ver Fig. N)

6 Coloque el tope final de la cuerda de salvamento en la parte inferior de la SRL. **IMPORTANTE: El tope final debe insertarse en la cavidad del tambor y debe poder verse a través del orificio de la cubierta de la placa lateral.** (Ver Fig. O)



7 Con el destornillador hexagonal de 3 mm, coloque los dos (2) tornillos de tope en el tambor a través de la cubierta de la placa lateral. (Ver Fig. P)



8 Agarre con firmeza la cuerda de salvamento y afloje lentamente (en sentido contrario a las agujas del reloj) el tornillo de ajuste en la parte inferior de la SRL. (Ver Fig. Q)

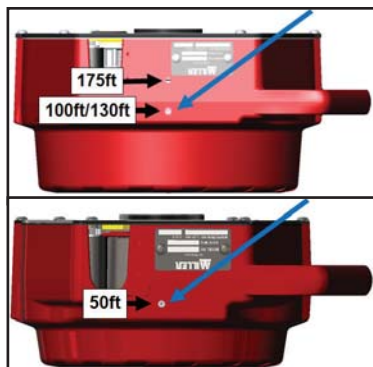


Fig. Q

9 Retraiga lentamente toda la cuerda de salvamento. **IMPORTANTE: NO suelte la cuerda de salvamento hasta que esta se haya retraído por completo.** (Ver Fig. R)



Fig. R

10 Inserte el buje de la guía de inserción en el armazón y luego deslícelo hacia la izquierda para activar el lado enganchado. (Ver Fig. S)

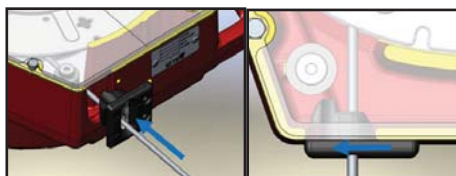


Fig. S

11 Con el destornillador hexagonal de 4 mm, coloque los dos (2) tornillos en la guía de inserción. (Ver Fig. T)



Fig. T

12 Coloque el nuevo tapón de goma en la cubierta de la placa lateral presionando firmemente el centro del tapón. (Ver Fig. U)

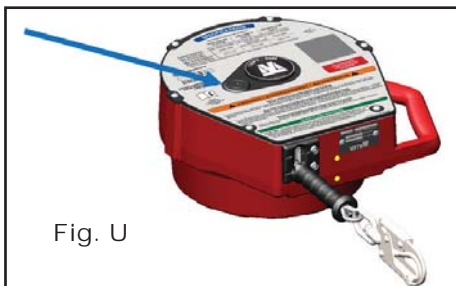


Fig. U

13 Pruebe la retracción y el bloqueo de la cuerda de salvamento según las instrucciones proporcionadas en el punto 7.1 Pruebas de inspección y funcionamiento.

¡El reemplazo de la cuerda de salvamento está terminado!

MILLER DuraSeal™

Self-Retracting Lifeline

MILLER

by Honeywell

LB1359 REV A | MPF9139249



SPECIFICATIONS

Refer to variable label for unit compliance.

	OSHA 1926.502 & 1910.66	ANSI Z359.14 Class B	CSA Z259.2.2-98 Type 2
Capacity (Capacité)	Max. 420lbs (190.5kg)*	130-310lbs (59-140.6kg)	75-310lbs (34-140.6kg)
Max. Arrest Force (Force D'Arrêt Max)	1800lbs (8kN)	1800lbs (8kN) [Avg. 900 lbs (Moy. 4kN)]	1800lbs (8kN)
Max. Arrest Distance (Distance D'Arrêt Max)	54in (1.4m)	54in (1.4m)	54in (1.4m)

*Refer to instructions regarding OSHA statement for capacities >310lbs (140.6kg).

DO NOT REMOVE THIS LABEL.

REMOVE FROM SERVICE IF RED APPEARS



RETIRER DU SERVICE SI ROUGE APPARAÎT

ACCESS FASTENERS FOR FIELD REPLACEABLE LIFELINE



Contact manufacturer if instruction manual is needed.

Transparent Window for Variable In-Use Label (2.425" x 2.5")

Carrying handle is approved for use with a secondary tether line.

WARNING / AVERTISSEMENT / ADVERTENCIA

Follow all manufacturer's instructions included at time of shipping.
FAILURE TO DO SO MAY RESULT IN SERIOUS INJURY OR DEATH!

* For use by one person only. • Before each use, inspect device and test its locking and retraction according to manufacturer's instructions. • Anchor above user's dorsal D-ring. • Allow adequate fall clearance below work surface. • Lifeline shall not contact sharp edges or abrasive surfaces. • This device shall be removed from service when the visual load indicator is deployed.

Suivre toutes les instructions du fabricant fournies avec le dispositif lors de sa livraison.
DANS LE CAS CONTRAIRE VOUS RISQUEZ DE BLESSURES GRAVES OU MEME LA MORT!

* Pour une utilisation par une seule personne. • Avant chaque utilisation, inspecter l'appareil et tester son blocage et la rétraction selon les instructions du fabricant. • Le dispositif à rappel automatique doit être ancré au-dessus de l'anneau en D dorsal du harnais de l'utilisateur. • Laisser un espace de chute suffisant sous la surface de travail. • La corde d'assurance ne doit pas entrer en contact avec des bords coupants ou des surfaces abrasives. • Ce dispositif doit être retiré du service lorsque l'indicateur de chute du dispositif à rappel automatique est activé.

Siga todas las instrucciones del fabricante incluidas en el momento del envío.
EL NO HACERLO PUEDE RESULTAR EN LESIONES GRAVES O LA MUERTE!

* Para ser usado por una sola persona. • Inspeccione antes de cada uso. • Este dispositivo deberá ser retirado del servicio cuando se despliega el indicador de carga visual.

SAFETY INSTRUCTIONS

BEFORE USING: • Check lifeline retraction—Pull out a minimum 4ft (1.2m) of lifeline and allow to retract under light tension. • Check braking action—Grasp lifeline grip above load indicator and apply a sharp pull. Brake must engage. Release tension and allow lifeline to slowly retract completely into unit. • Inspect swivel snap hook load indicator. If red is exposed, remove from service. **INSTALLATION:** • See instructions for anchorage requirements and mounting procedures. • Anchor device vertically overhead only; this device is not suitable for horizontal/leading edge or horizontal lifeline use. • Do not work above anchorage level.

LB1360 Rev. C | MPF9139286

Variable Information Label

All Miller self-retracting lifelines also incorporate a variable label to specify information which varies from model to model (i.e., model number, date of manufacture, inspection/lot number, length, and standards met by specific model).

Étiquette D'information Variable

Tous les câbles de sécurité autorétractables Miller comprennent aussi une étiquette variable pour indiquer les données qui varient d'un modèle à l'autre (c.-à-d., numéro de modèle, date de fabrication, numéro d'inspection / de lot, longueur, et normes respectées par un modèle particulier).

Información Variable en Las Etiquetas

Todas las cuerdas salvavidas autorretractiles Miller también incorporan una etiqueta para indicar información que varía de un modelo a otro (o sea, número de modelo, fecha de fabricación, número de inspección o lote y normas con que cumple cada modelo en particular).



◀Sample Variable Label: This label varies by product model.

NOTE: Compliance with standards varies by product model. Always refer to the variable label on the unit.

◀Modèle d'étiquette variable : cette étiquette varie en fonction du modèle du produit.

REMARQUE : La conformité aux normes varie en fonction du modèle du produit. Toujours se reporter à l'étiquette variable sur l'unité.

◀Etiqueta de muestra variable: Esta etiqueta varía según el modelo del producto.

NOTA: El cumplimiento de los estándares varía según el modelo del producto. Siempre consulte la etiqueta de la variable en la unidad.

Product specification sheets may be downloaded at www.millerfallprotection.com.

Les fiches techniques des produits peuvent être téléchargées au www.millerfallprotection.com.

Las hojas de especificaciones de los productos pueden bajarse de www.millerfallprotection.com.

Inspection and Maintenance Log

Registre D'inspection et D'entretien

Registro de Inspección y Mantenimiento

DATE OF MANUFACTURE: _____
 DATE DE FABRICATION / FECHA DE FABRICACIÓN

MODELNUMBER: _____
 NUMÉRO DE MODÈLE / NÚM. DE MODELO

DATE PURCHASED: _____
 DATE D'ACHAT / FECHA DE COMPRA

INSPECTION DATE DATE D'INSPECTION FECHA DE INSPECCIÓN	INSPECTION ITEMS NOTED POINTS NOTÉS LORS DE L'INSPECTION PUNTOS DE INSPECCIÓN RELEVANTES	CORRECTIVE ACTION ACTION CORRECTIVE MEDIDA CORRECTIVA	MAINTENANCE PERFORMED ENTRETIEN EFFECTUÉ MANTENIMIENTO REALIZADO
Approved by: Approuvé par: Aprobado por:			
Approved by: Approuvé par: Aprobado por:			
Approved by: Approuvé par: Aprobado por:			
Approved by: Approuvé par: Aprobado por:			
Approved by: Approuvé par: Aprobado por:			
Approved by: Approuvé par: Aprobado por:			
Approved by: Approuvé par: Aprobado por:			
Approved by: Approuvé par: Aprobado por:			
Approved by: Approuvé par: Aprobado por:			
Approved by: Approuvé par: Aprobado por:			
Approved by: Approuvé par: Aprobado por:			
Approved by: Approuvé par: Aprobado por:			
Approved by: Approuvé par: Aprobado por:			
Approved by: Approuvé par: Aprobado por:			
Approved by: Approuvé par: Aprobado por:			
Approved by: Approuvé par: Aprobado por:			

MILLER[®]

by Honeywell

Toll Free: 800.873.5242

Fax: 800.892.4078

Download this manual at: www.millerfallprotection.com

Téléchargez ce manuel à l'adresse: www.millerfallprotection.com

Puede bajar por Internet este manual en: www.millerfallprotection.com

Honeywell Safety Products

P.O. Box 271, 1345 15th Street

Franklin, PA 16323 USA