



by Honeywell

SAF-T-CLIMB® Ladder Fall Prevention System STC-000

INSTRUCTION MANUAL

**Manuel du système antichute pour échelle
SAF-T-CLIMB® STC-000**

GUIDE

**Sistema de prevención de caídas para
escaleras SAF-T-CLIMB® STC-000**

MANUAL DE INSTRUCCIÓN



by Honeywell

TABLE OF CONTENTS PAGE

1.0 Introduction	3
1.1 Important Information	3
1.1.1 Terminology	4
1.1.2 General Warnings	4
2.0 User Instructions & Information	4
2.1 Fall Protection Program	4
2.1.1 Hazard Analysis	4
2.1.2 Prevention Versus Protection	4
2.1.3 Procedures	5
Table 1 Regulations & Standards	6
3.0 SAF-T-CLIMB® Systems Parts	7
3.1 Purpose	7
3.2 Limitations	8
4.0 System Requirements	8
4.1 Compatibility of Components & Subsystems	8
5.0 SAF-T-GRIP™ Carabiner	9
6.0 Operation & Use	11
7.0 Pre-Function Test	11
8.0 Connecting the Sleeve to Full Body Harness	12
9.0 Climbing Up the Rail System	12
9.1 Ascending	
(Moving Up Towards the Top of the Rail System)	13
9.2 Descending	
(Moving Away From the Top of the Rail System)	13
9.3 Disengaging From the System	13
10.0 Use Of Special Accessories	14
10.1 SAF-T-Mount	14
10.2 Removable Extension Kit	15
11.0 Climbing Horizontal Sections of Rail	15
11.1 Ascending	15
11.2 Descending	16
12.0 Inspection Frequency	16
12.1 Inspection Guidelines—SAF-T-GRIP™ Sleeve	16
13.0 Inspection for SAF-T-NOTCH Rail	18
13.1 SAF-T-NOTCH Rail	18
14.0 Maintenance & Care	20
14.1 SAF-T-GRIP™ Carabiner	20
14.2 SAF-T-GRIP™ Energy Absorber	21
15.0 SAF-T-GRIP™ Labels	21
Inspection & Maintenance Log (Rail)	22
Inspection & Maintenance Log (Sleeve)	23
Inspection & Maintenance Log (Dismount Devices)	24
16.0 Miscellaneous Safe Climbing Practices	25
17.0 Warranty	25
FRANAIIS	26
ESPAÑOL	50

Technical Service Numbers Nombres service technique Números Servicio Técnico

North and South America
Du Nord et Amérique du Sud
América del Norte y América
del Sur
1-800-873-5242

Europe
Europe / Europa
+31 (0)118 656400

DEFINITIONS AND EQUIVALENTS

Newton (N): The unit of force which, when applied to one kilogram mass, would experience an acceleration of one meter per second per second.

kiloNewton (kN): 1,000 Newtons

kilogram (kg): 1kg = 2.2 pounds

1.0 INTRODUCTION

Honeywell Safety Products is a recognized leader in the Personal Protective Equipment (PPE) industry and proudly manufactures and sells Miller safety products. This manual is supplied to give you basic instruction on the selection, use and care of Miller fall protection equipment. If you are not certain that this equipment is adequate for the work you are doing, consult your supervisor or safety director.

Contact Honeywell Safety Products Customer Service at 1-888-212-SAFE (7233) if you require further information or advice on the selection, use, inspection or maintenance of any Miller fall protection equipment.

The SAF-T-CLIMB® Ladder Fall Prevention System is one of the most effective means of fall prevention on the market today. Honeywell Safety Products manufactures a quality product that you and your climbers can rely. This manual will guide you in the proper use and care of SAF-T-CLIMB® equipment.

1.1 IMPORTANT INFORMATION

▲ WARNING:

Keep in mind that each component of the system must be compatible with the other components of the fall protection system in order to provide the protection required. Read the manual carefully and fully understand its contents before using this fall protection system. Failure to fully understand the contents of this manual may lead to serious injury or death. Just as important is the need to fully and properly inspect the components of these fall protection devices. Failure to fully and properly inspect the components of this fall protection system may lead to serious personal injury or death. However, no manual can be a substitute for a formal climbing training program. Before you use this fall protection system's components, it is critical that you have attended a formal climbing training program. Failure to attend such a program may result in serious injury or death.

Once your system has been properly installed and inspected, it is up to each climber to make sure that his or her equipment is in the best operating order **BEFORE** each climb. Inspecting equipment before each use is recommended by both OSHA 1926.951, and ANSI 10.14-1991 standards.

Make this manual readily available in the storage area for the SAF-T-GRIP™ SLEEVE and SAF-T-CLIMB COMFORT FIT HARNESS.

Each climb should have a white laminated tag attached at the bottom of the ladder, at eye level. Where practical, the tag should also be placed at other points of entry along the climb. This tag tells the climber that a fall prevention system is on the ladder and that a sleeve and harness must be used with the system to prevent falls. It should give the location where the sleeves and harnesses are stored, if they are not individually issued. The tag instructs the climber on the proper orientation of the sleeve for safe use and reminds the climber to follow safe climbing practices at all times.

New climbers should be thoroughly trained in safe climbing practices, and be fully instructed in the use of the SAF-T-CLIMB® SYSTEM before they start to climb. Even experienced climbers should attend regularly scheduled programs on safe climbing.

Frequent inspection of the essential parts of the system, coupled with the annual inspection of the entire length of the rail, will help to maintain the equipment in a safe condition for all climbers. The goal for all climbers should be the use of proper and safe practices which become so ingrained in their habit practice as to be performed automatically when they climb.

1.1.1 Terminology

Warnings, cautions and notes used in this manual have the following significance:

⚠ WARNING

Procedures and techniques which, if not carefully followed, will expose the user to the risk of serious injury or death.

CAUTION

Procedures and techniques which, if not carefully followed, will result in damage to the equipment.

NOTE

Procedures and techniques that are considered important enough to emphasize.

⚠ WARNINGS

1.1.2 General Warnings

1. Before using this equipment, read these instructions carefully and completely. They must be understood and followed to obtain adequate fall protection from the equipment. **FAILURE TO OBSERVE THE LIMITATIONS, CAUTIONS AND WARNINGS IN THESE INSTRUCTIONS CAN CAUSE A LOSS OF PROTECTION AND AN EXPOSURE TO A FALL FROM WHICH SERIOUS INJURY, DISABILITY OR DEATH MAY RESULT.**
2. All users of fall protection equipment must be in good physical health, must not have a medical history of conditions that could be aggravated by a fall, must be mentally fit, and must not be under the influence of alcohol or drugs. Inattention to these factors may cause falls that result in serious injury or death.

2.0 USER INSTRUCTIONS AND INFORMATION

2.1 Fall Protection Program

Honeywell Safety Products believes that the attainment of continuous fall protection, where fall hazards exist, is dependent on a consistent collaborative commitment by management and workers. The development of, and continuous adherence to, a written policy is necessary to achieve this goal. See: the fall protection planning suggested by [OSHA Regulation 1926 Subpart M, Appendix C: non-mandatory guidelines for complying with 1926.502\(d\)](#). The written policy should consider the following points:

2.1.1 Hazard Analysis

- Both seen and unseen
- Understand the job requirements
- Any obstructions, above or below
- Any moving machinery

2.1.2 Prevention Versus Protection

- Identify the specifics of the task
- Can the hazard be eliminated?
- Is personal protection required?

What is the fall distance?

What is the worker's weight?

What force levels will be exerted on the body in the event of a fall?

Is there a potential swing fall hazard?

2.1.3 Procedures

Must be written to deal with each hazard and must include the following:

- Selection of the proper approved equipment
- Instructions for proper use
- Component compatibility considerations
- User training considerations
- Rescue considerations
- Equipment inspection considerations
- Tie off considerations
- Vertical lifeline consideration
- Snaphook considerations
- Free fall considerations
- Elongation and deceleration considerations
- Obstruction considerations
- Who will be authorized to use the fall protection equipment
- Review of all pertinent Government regulations and standards (see table 1)
- Proper care and storage considerations

▲ WARNING

Do not attempt to repair damaged equipment. Remove it from service immediately and do not re-use it. Use of damaged equipment may lead to serious injury or death.

▲ WARNING

Do not use solvent-based cleaners and do not apply paints or solvent markers for unit identification purposes. Solvents can cause deterioration to the webbing and/or other components of the SAF-T-CLIMB® system through chemical reaction. Use of solvents or paints on the fall protection system components may lead to serious injury or death.

TABLE 1 REGULATIONS AND STANDARDS

Fall protection equipment (also called fall arrest equipment) is regulated by laws, regulations, standards and recommendations promulgated by various national and international bodies.

In Canada and the United States, the pertinent standards and regulations are:

CSA — CANADIAN STANDARDS ASSOCIATION

Safety Belts and Saddles for work positioning and travel restraint	CSAZ259.1-05
Fall Arresting Devices and Vertical Lifelines	CSAZ259.2.1-98
Self-Retracting Devices for Personal Fall Arrest Systems	CSAZ259.2.2-98
Descent Control Devices	CSAZ259.2.3-99
Full Body Harnesses	CSAZ259.10-06
Shock Absorbers for Personal Fall Arrest Systems	CSAZ259.11-05
Connecting Components for Personal Fall Arrest Systems	(PFAS) CSAZ259.12-01
Flexible Horizontal Lifelines	CSAZ259.13-04
Fall Restrict Equipment for Wood Pole Climbing	CSAZ259.14-01
Design of Active Fall Protection Systems	CSAZ259.16-03

**OSHA — OCCUPATIONAL SAFETY & HEALTH ADMINISTRATION
REGULATIONS UNDER TITLE 29 OF THE CODE OF FEDERAL REGULATIONS (29 CFR)
OCCUPATIONAL SAFETY AND HEALTH STANDARDS FOR GENERAL INDUSTRY**

Subpart F

- Powered Platforms and Building Maintenance 1910.66

Subpart J

- Permit-Required Confined Space 1910.146

Subpart R, Special Industries

- Agricultural Operations 1910.267
- Telecommunications 1910.268
- Electric Power Generation, Transmission & Distribution 1910.269

OCCUPATIONAL SAFETY AND HEALTH STANDARDS FOR CONSTRUCTION**Subpart E, Personal Protective Equipment**

- Safety Belts, Lifelines & Lanyards 1926.104
- Safety Nets 1926.105

Subpart L, Scaffolding

- Boatswain's Chairs 1926.451 (1)

Subpart M, Fall Protection

- Scope, Application & Definitions 1926.500
- Duty to Have Fall Protection 1926.501
- Fall Protection Systems Criteria & Practices 1926.502
- Training Requirements 1926.503

Subpart R, Steel Erection

- Fall Protection 1926.760

**OCCUPATIONAL SAFETY AND HEALTH STANDARDS FOR MARINE TERMINALS
AND LONGSHORING**

- Marine Terminals 1917
- Longshoring 1918

**ANSI — AMERICAN NATIONAL STANDARDS INSTITUTE
CONSTRUCTION AND DEMOLITION OPERATIONS**

- Requirements for Safety Belts, Harnesses, Lanyards & Lifelines A10.14 – 1991
- Ladders (Fixed) – Safety Requirements A14.3 – 2002
- Safety Requirements for Confined Spaces Z117 - 1994
- Safety Requirements for Personal Fall Arrest Systems, Subsystems & Components Z359.0 / Z359.1 / Z359.2
Z359.3 / Z359.4 - 2007

3.0 SAF-T-CLIMB® SYSTEMS CONSIST OF THE FOLLOWING PARTS

- SAF-T-NOTCH Carrier Rail and Associated Hardware
- SAF-T-GRIP™ Sleeve (part #602-100-003)
- SAF-T-CLIMB Comfort Fit Harness (part #730-201-001 or #733-201-001)
- Dismounting devices
- Any other SAF-T-CLIMB® Accessories required

▲ WARNING

Use only genuine SAF-T-CLIMB® components, manufactured by Honeywell Safety Products with SAF-T-CLIMB® carrier rail systems. Components of other fall prevention systems may not be interchangeable or compatible with ladder fall prevention systems, and cannot be relied upon to work together to safely arrest falls unless they have been tested and proven to be compatible. Use of fall protection components that are not genuine SAF-T-CLIMB® components may lead to serious injury or death.

3.1 Purpose

The purpose of the SAF-T-GRIP™ sleeve (part# 602-100-003) is to protect the climber from a fall hazard when climbing at heights. This sleeve is designed and intended to be used for personnel use only and not for material handling.

▲ WARNING

Use this product only as intended. Use of this sleeve for the handling of materials is an unauthorized use of this product, and may lead to serious injury or death.

▲ WARNING

The end user or installer is responsible for ensuring that the ladder meets all the applicable local, provincial, state, and federal regulations and standards. Failure of the end user or installer to ensure that the ladder meets or exceeds all applicable regulations and standards may lead to serious injury or death.

3.2 Limitations

- The SAF-T-GRIP™ sleeve (part# 602-100-003) must be used only on Honeywell Safety Products rigid rail model # (526-10X-00X).
- This SAF-T-GRIP™ sleeve may not be used on any other rigid rail system.
- The sleeve must be directly connected to an approved Miller full body harness (part# 733-201-001) to the navel d-ring.

⚠ WARNING

Do not use any other connection links to increase the distance between the sleeve and the d-ring on the harness. Use of any other connection links to increase the distance between the sleeve and the d-ring may lead to serious injury or death.

⚠ WARNING

CSA Z259.2.1-98, ANSI A14.3 and OSHA 1926.1053 requires that the maximum length of the connection between rigid rail and attachment point must not exceed 9" (23cm). If the connection between the rigid rail and the attachment point exceeds 9" it may lead to serious injury or death.

4.0 SYSTEM REQUIREMENTS

4.1 Compatibility of Components and Subsystems

Honeywell Safety Products has designed the SAF-T-GRIP™ sleeve (part# 602-100-003) to be compatible with only Honeywell Safety Products rigid rail (part# 526-10X-00X). Any substitutions or interchange of components as this may jeopardize the compatibility of the system which could result in serious injury or death. Please contact Honeywell Safety Products if you have any questions regarding the compatibility of the equipment.

⚠ WARNING

Do not interchange manufacturers of the full body harness. Honeywell Safety Products only recommends the use of the Saf-T-Climb harness (PART# 733-201-00X) for use with the Saf-T-Grip sleeve. Use of any components other than the previous WARNING recommended Honeywell Safety products components may lead to serious injury or death.

5.0 SAF-T-GRIP™ CARABINER

⚠ WARNING

READ AND UNDERSTAND ALL THE FOLLOWING INSTRUCTIONS AND WARNINGS; FAILURE TO READ AND UNDERSTAND THESE INSTRUCTIONS AND WARNINGS MAY LEAD TO SERIOUS PERSONAL INJURY OR DEATH.

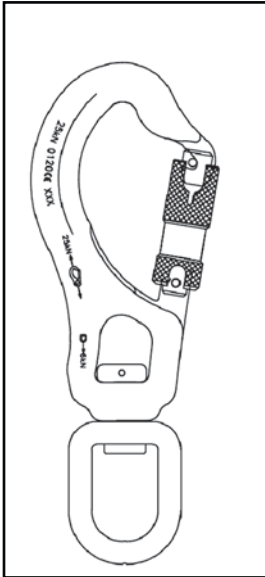


FIGURE 1

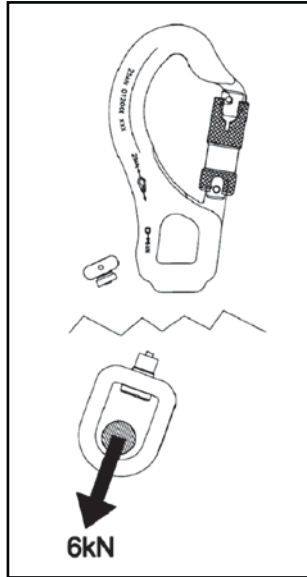


FIGURE 2

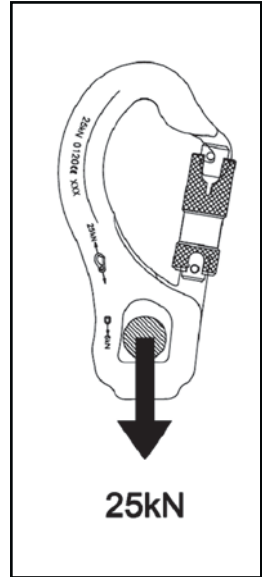


FIGURE 3

⚠ WARNING

The complete understanding of this product is critical. If you have any doubt as to how to use this product or its design limitations, **DO NOT USE IT** until you have obtained the full understanding of its use. Failure to fully and completely understand how to use this product, may lead to serious personal injury or death.

You must comply with the instructions for other components used in conjunction with this connector. Failure to comply with all instructions and warnings associated with the product and other products used in conjunction with this product, may lead to serious personal injury or death.

If you are ever in doubt as to whether this product is in a fully functional and safe condition, **DO NOT USE THIS PRODUCT** until you have met with the appropriate competent person to advise you on the condition of the product. Failure to determine that the product is fully functional and safe for use, may lead to serious personal injury or death.

This connector is designed to be used in a specific fall protection application and **MUST NOT** be substituted in any other general fall arrest application. Use of this device in any manner other than as directed by the manufacturer, may lead to serious personal injury or death.

⚠ WARNING

This connector must not be used for any purpose other than for which it is designed. Do not make any modifications to this product. Use of this product for any purpose other than the purpose for which it was designed, or modifications made to this product, may lead to serious personal injury or death.

The steel swivel eye (gold color) will hold a maximum load of 6kN (= 611kgs = 1368lbs). The swivel eye is designed to detach at this load, once the swivel eye has detached the connector is redundant and should be retired from use and destroyed (see FIG. 2).

⚠ WARNING

If the swivel eye is detached it may not be used again. Use of the swivel eye after it has been detached from the carabiner may lead to serious personal injury or death.

At no time during use should the swivel eye be used as the main fall arrest attachment, the steel swivel eye is designed to detach at 6kN. Use of the swivel eye as the main fall arrest attachment may lead to serious personal injury or death.

The aluminium (alloy) eye into which the swivel eye attaches (black color) is the main load bearing part of this connector. When loaded along the major axis of the back of the connector with the gate fully closed and locked the aluminium eye will hold a minimum load of 25kN (= 2548kgs = 5708lbs) and is designed to be the main fall arrest attachment (see FIG. 3).

⚠ WARNING

If you have any questions, please ask a trained and competent person to assist you in using this, and all fall protection products, correctly! Remember, failure to fully understand how to use fall protection products may lead to serious injury or death.

Immediately before each use, visually and functionally inspect to ensure that this connector is in a serviceable condition and operates correctly. The gate should snap shut on release and automatically lock (auto locking gate system) without hesitation (see Maintenance and Servicing). Honeywell Safety Products recommends a thorough inspection before and after every use by a trained and competent person. This inspection should be recorded on the inspection form supplied as shown above. Failure to visually and functionally inspect the connector to ensure that it is operating correctly before use, may lead to serious personal injury or death.

This connector is not designed for use in all climatic conditions. Conditions such as frost and icing may affect its functionality. Before use of this product, consult with your safety supervisor as to whether the climactic conditions may affect the product's proper and safe use. Failure to consider the climactic conditions during and prior to the use of this product may lead to serious personal injury or death.

▲ WARNING

If this connector has been used to arrest a fall it should be withdrawn from use and destroyed even if the steel swivel eye is still intact. Failure to remove this connector from service after it has been used to arrest a fall, may lead to serious personal injury or death.

Do not allow this product to come into contact with chemical agents and or other corrosive substances. Chemical agents and other corrosive substances may degrade the webbing of this product reducing its strength which, in turn, may lead to failure of the product components which may lead to serious injury or death.

Never use the sleeve on unnotched rail installed in a vertical position. The sleeve may not grip on unnotched rail and will not arrest a fall, which could result in injury or death.

1. NEVER CLIMB ALONE. You should always have a partner who is within sight and sound distance. Your partner should have his/her own SAF-T-GRIP™ SLEEVE and a SAF-T-CLIMB COMFORT FIT HARNESS available for immediate use in the event a rescue is needed.
2. For DOWNHOLE CLIMBS into confined spaces, or for any climb where rescue would be made from above the climber, the SAF-T-CLIMB COMFORT FIT HARNESS has rings on the shoulder straps to facilitate rescue.

FAILURE TO FOLLOW THE ABOVE INSTRUCTIONS REGARDING NEVER CLIMBING ALONE AND REGARDING DOWNHOLE CLIMBS INTO CONFINED SPACES MAY LEAD TO SERIOUS INJURY OR DEATH.

6.0 OPERATION AND USE

It is common practice when practical to install the sleeve to the full body harness navel d-ring first. The second step is to install the sleeve onto the ladder system.

7.0 PRE-FUNCTION TEST

1. The SAF-T-CLIMB COMFORT FIT HARNESS with the SAF-T-CLIMB RING should be fastened snugly around the waist, NOT AROUND THE HIPS OR PELVIS.

▲ WARNING

Fastening the harness around the hips or pelvis is incorrect and may lead to an insecure fit which could lead to serious injury or death.

▲ WARNING

Fasten all buckles securely. Do not punch or cut extra holes into the harness straps. If it does not fit properly, replace it with one that does. Failure to obtain a secure and proper fit of the harness may lead to serious injury or death.

2. Make sure the arrow on the SAF-T-GRIP™ Sleeve is pointing UP, and then slide the sleeve onto the rail, resting it between two notches. Let it hang. Check to see that the SAF-T-GRIP™ SLEEVE is functioning properly.

⚠ WARNING

If the sleeve slides to the bottom of the rail by itself when you let go of it, IT IS UPSIDE DOWN! Reinstall the sleeve with the arrow pointing up. Failure to reinstall the sleeve may lead to serious injury or death.

3. Grab the sleeve by the carabiner and pull down. The sleeve will engage and grip onto the rail. The sleeve should engage the first notch and lock the sleeve into position. Then pull the carabiner straight out from the rail at a 90° angle and verify that the sleeve moves smoothly up and down.

⚠ WARNING

The SAF-T-GRIP™ Sleeve must always be installed on the carrier rail with the arrow pointing up. If the sleeve is installed on the rail in an upside down position (with the arrow pointing down), the sleeve may not lock and will not arrest a fall, resulting in serious injury or death.

8.0 CONNECTING THE SLEEVE TO THE FULL BODY HARNESS

⚠ WARNING

Connect the sleeve to the North full body harness designated for Saf-T-Climb® ladder climbing. When connecting the sleeve to the harness ensure the connection is compatible in size, shape, and strength. Do not substitute with other connectors. Do not use other connecting devices such as a short lanyard, chain, link, or clevis. Connection between the sleeve and full body harness should be done before the sleeve is installed onto the carrier rail whenever possible. When connecting ensure the carabiner gate is fully closed and locked. Failure to follow any one, or all of, these instructions may lead to serious injury or death.

9.0 CLIMBING UP THE RAIL SYSTEM

Step 1

Ensure the sleeve is in the up position. Place the top plate of the sleeve around the rail section (see FIGURE 4).

Step 2

Align the bottom plate of the sleeve over the rail ensuring that both the top plate and the bottom plate of the sleeve are both installed on the rail (FIGURE 5).

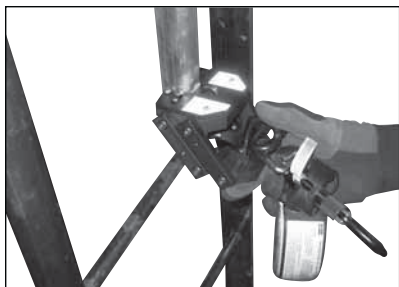


FIGURE 4

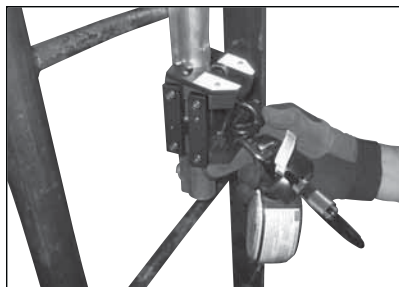


FIGURE 5

9.1 Ascending (moving up towards the top of the rail system):

To ascend the ladder, climb up by applying a small amount of force outwards, this will pull the carabiner out and away from the rail. The sleeve will follow the climber up the rail.

▲ WARNING

Do not remove the attachment to the sleeve while climbing the rail at any point of the climb unless the climber is away from the fall hazard or connected to a secondary fall arrest system (ie. Shock absorbing lanyard). If the sleeve locks, move down and away from the rail to regain movement of the sleeve. Proceed as previously mentioned above to ascend. Removal of the attachment to the sleeve while climbing the rail may lead to personal injury or death.

9.2 Descending (moving away from the top of the rail system):

To descend the ladder, climb down smoothly applying a small force in towards the rail. Allow the sleeve to "lead" the climber down. Climbing down out of position (leaning back excessively) will cause the sleeve to lock on the rail. If the sleeve locks, move upward slightly and in towards the rail to release the sleeve and continue to descend the ladder.

9.3 Disengaging from the system:

One of the most hazardous aspects of a climb is getting off the ladder at the top. The SAF-T-CLIMB® SYSTEM should include a SAF-T-PIVOT SECTION at the top. This will allow you to pivot safely onto a protected surface BEFORE disengaging from the SAF-T-CLIMB® SYSTEM.

▲ WARNING

Because getting off the ladder at the top can be so hazardous, it is critical that climbing not begin or attempted until the user has in his possession and understands the use of the SAF-T-PIVOT SECTION. Attempting to get off the top of a ladder without the SAF-T-PIVOT SECTION in use or a safety lanyard attached to the climber and his or her lanyard attached to a proper anchor point, may lead to serious personal injury or death. Choose such an anchor point with care; it should be secure and separate from other anchor points. OSHA regulation 29 CFR 1926.104, requires the anchor point to be capable of supporting a minimum dead weight of 5400 pounds.

If your climb does not end with this pivot section, and you cannot gain safe footing before detaching the sleeve from your harness, contact North for information on installing a SAF-T-PIVOT SECTION.

1. When you reach the top of a climb, pivot through the ladder or over the handrail or wall BEFORE disengaging from the system.

▲ WARNING

Be sure to pivot through the ladder or over the handrail before disengaging from the system. Failure to do so may lead to serious injury or death.

The SAF-T-PIVOT SECTION at the top of the climb, above the floor of the landing, is designed to allow the climber and sleeve to rotate fully around the rail. You must gain firm footing before detaching from the security of the SAF-T-CLIMB® SYSTEM.

▲ WARNING

If it is absolutely necessary to detach from the SAF-T-CLIMB® SYSTEM before dismantling from the ladder, use a lanyard to attach yourself to a safe anchor point BEFORE detaching the sleeve from your harness. Failure to use a lanyard to attach yourself to a safe anchor point before detaching the sleeve from your harness may lead to serious injury or death. Choose such an anchor point with care; it should be secure and separate from other anchor points. OSHA regulation 29 CFR 1926.104, requires the anchor point to be capable of supporting a minimum dead weight of 5400 pounds.

Anchor location and placement is critical in any fall protection system. Failure to follow the guidelines of OSHA 29 CFR 1926.104 may lead to serious injury or death.

When remounting the ladder for descent, first place the sleeve onto the SAF-T-PIVOT SECTION. Then, attach the sleeve to your harness, BEFORE rotating around backwards onto the ladder. Rotating backwards on the ladder without first attaching the sleeve to your harness, may lead to serious injury or death.

10.0 USE OF SPECIAL ACCESSORIES

10.1 SAF-T-MOUNT SECTION:

It may be necessary to mount or dismount from the ladder at a balcony, work platform, or various other positions along the climb. These locations should be equipped with a SAF-T-MOUNT SECTION installed in the Carrier Rail.

▲ WARNING

To safely mount the Carrier Rail at a SAF-T-MOUNT SECTION, make sure the arrow on the sleeve is pointing UP. Failure to ensure that the arrow on the sleeve is pointing UP, may lead to serious injury or death.

1. Manually place the top plate and then the bottom plate into the notched portion of the SAF-T-MOUNT SECTION rail from the side. Turn the sleeve 90° and slide it up onto the solid portion of the rail until it locks into position.
2. Move the sleeve to navel D-Ring navel level, just above or just below the SAF-T-MOUNT SECTION (Above if your climb will be continuing up the ladder and below if your climb will be descending the ladder). Connect the carabiner to the center SAF-T-CLIMB RING on the SAF-T-CLIMB COMFORT FIT HARNESS. You are now ready to continue your climb as outlined above.
3. When it is necessary to get off the ladder at a SAF-T-MOUNT SECTION, first swing around the ladder until your feet are on a safe footing. Disconnect the sleeve from the SAF-T-CLIMB COMFORT FIT HARNESS. The sleeve may be removed from the rail by positioning it at the SAF-T-MOUNT SECTION, turning the sleeve 90° and removing it from the rail.

10.2 Removable Extension Kit:

A climber may be required to descend into a hatched, down-hole climb such as a access hole.

Each climb of this type should be equipped with a Removable Extension Kit. Each ladder equipped will have a mandril permanently installed into the top of the Carrier Rail.

1. Before installing the Extension onto the mandril for a descent, make sure the arrow on the SAF-T- GRIP™ SLEEVE is pointing UP, and slide the sleeve onto the Removable Extension Rail from the bottom. Slide the sleeve all the way to the top of the extension, turn it so that it rests on a notch and verify that it will hang in place by itself.

▲ WARNING

If the sleeve slides to the bottom of the rail by itself when you let go of it, IT IS UPSIDE DOWN! Reinstall the sleeve with the arrow pointing up. Failure to reinstall the sleeve with arrow pointing up may lead to serious injury or death.

▲ WARNING

The SAF-T-GRIP™ SLEEVE must always be installed on the carrier rail with the arrow pointing up. If the sleeve is installed on the rail in an upside down position (with arrow pointing down), the sleeve will not lock and will not arrest a fall, which may result in serious injury or death.

2. Place the extension rail over the mandril. Slide the tie-down rod through the extension rail and secure the rail in place by screwing the tie-down rod into the top of the mandril.
3. After the extension has been firmly secured to the Carrier Rail, connect the sleeve onto the SAF-T- CLIMB COMFORT FIT HARNESS as previously described, swing around the Extension and maneuver onto the ladder.

11.0 CLIMBING HORIZONTAL SECTIONS OF RAIL

11.1 Ascending:

Climbing rail which is horizontal requires training to ensure the climber has a smooth transition through horizontal section of rail. Climbing up towards the top of the climb is achieved in the same manner as climbing a vertical section of rail. If the sleeve locks onto the rail at anytime, move down and away slightly to release the sleeve and continue to climb up the ladder.

11.2 Descending:

Climbing down the system when it's horizontal, the climber must ensure the traveler stays parallel. The operator must lean in towards the rail and push the sleeve down using the carabiner. If the sleeve locks onto the rail at anytime, move upward and inward slightly to release the sleeve and continue to climb the ladder. User must keep 3 point contact with the ladder.

▲ WARNING

It is the responsibility of the user or the supervisor to ensure that each user of any fall protection system is properly trained. The training must cover proper use, care, limitations and maintenance and inspection of equipment. It should also define who is responsible for overall supervision and training. Finally, it must cover all procedures and ensure the user has an understanding of the equipment and the task at hand. Failure to provide the user with proper training and supervision may lead to serious injury or death.

12.0 INSPECTION FREQUENCY

▲ WARNING

Before Each Use the user must inspect the sleeve in accordance to the inspection guidelines below.

Formal Inspection: A formal inspection of the sleeve must be performed at least annually by a competent person (as defined by OSHA). The formal inspection may be carried out more frequently depending on the use, environment or user experience. The competent person must establish the formal inspection frequency. The inspection must be carried out in accordance with the inspection guideline below. If the sleeve requires servicing, please contact Honeywell Safety Products for details of the servicing.

After a Fall: The sleeve must be taken out of service immediately and replaced with a new sleeve. Please contact Honeywell Safety Products for details on service if applicable.

FAILURE TO FOLLOW THE INSPECTION CRITERIA NOTED ABOVE FOR BEFORE USE, NORMAL USE AND INSPECTION AND AFTER A FALL MAY LEAD TO SERIOUS INJURY OR DEATH.

12.1 Inspection Guidelines for SAF-T-GRIP™ Sleeve:

- Check that the two return springs on the side legs are in good working order and that the springs return the sleeve to the lock position when the sleeve is parallel to the ground
- Inspect the entire sleeve for cracks, bends, any deformities or excessive wear
- Ensure all fasteners are secure and corrosion free
- Ensure the energy absorber has its protective clear cover and is intact and damage free
- Ensure the energy absorber has not been deployed and there are no signs of cuts, burns, UV degradation or any other deformities. Ensure all the stitching is still intact and that the wear pads do not show any sign of break through.
- Ensure the carabiner gate opens, closes and locks properly

- Check the springs on the top plate spring loaded wheels. Ensure the springs move the wheels in towards the rail
- Ensure all wheels (friction wheel and bearing) rotate freely
- Ensure the orientation lock is functioning and free from debris
- Ensure all teeth or clamping surfaces do not have excessive signs of wear
- Ensure that the carabiner has not been deployed and is in one piece

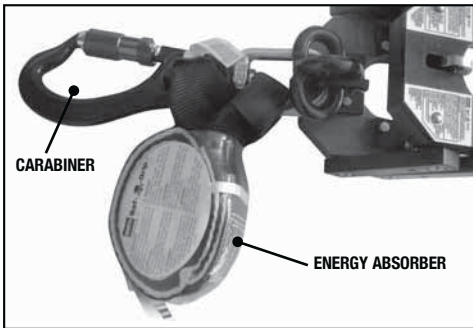


FIGURE 6



FIGURE 7

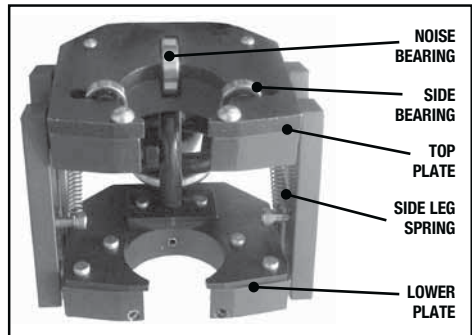


FIGURE 8

⚠ WARNING

Failure to follow all of the above inspection guidelines for the SAF-T-GRIP™ SLEEVE may lead to serious injury or death.

▲ WARNING

The entire length of SAF-T-NOTCH RAIL should be inspected annually. It is absolutely essential that the notches on all sections of rail are pointing up (see picture). Failure to annually inspect and ensure that the notches of the SAF-T-NOTCH RAIL are pointing up may lead to serious injury or death.

13.0 INSPECTION FOR SAF-T-NOTCH RAIL

13.1 SAF-T-NOTCH Rail

THE SAF-T-GRIP™ SLEEVE MAY NOT LOCK DURING A FALL IF THE NOTCHES ARE POSITIONED INCORRECTLY (or are filled with foreign matter).

1. The rail should be positioned straight up the centre of the ladder rungs, so there is room on each side for the climber to place his/her feet while climbing. Internal alignment guides and connecting straps are required at each rail joint for correct installation.

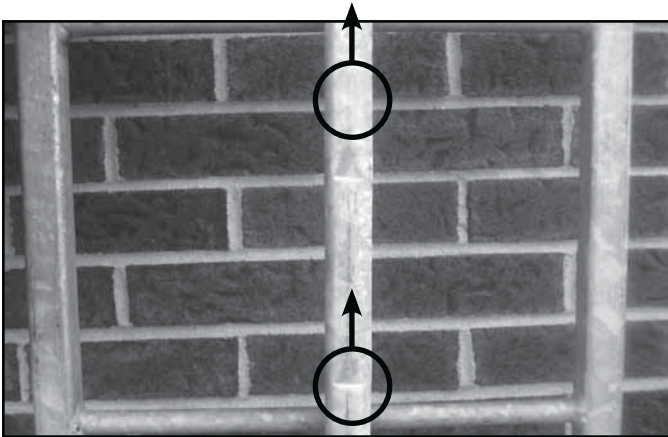


FIGURE 9 NOTCHES INSTALLED CORRECTLY (POINTING UP)

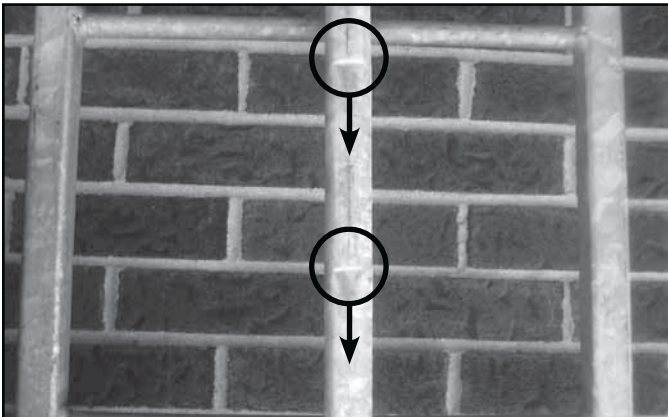
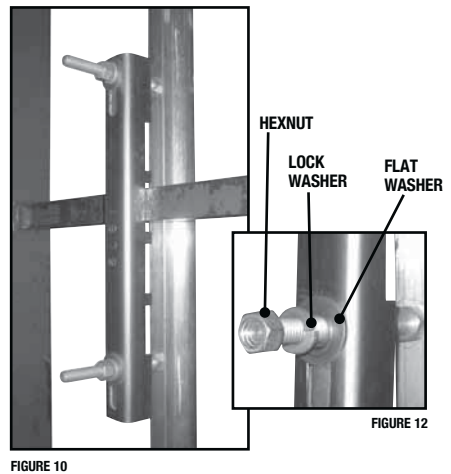
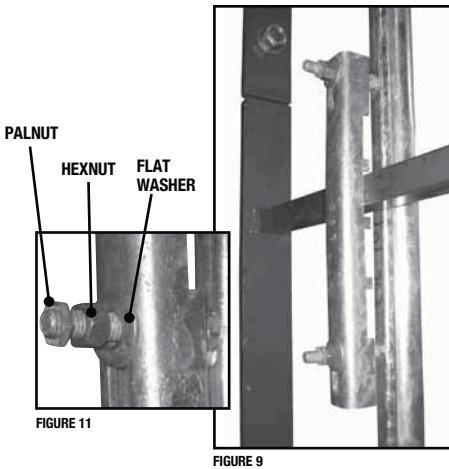


FIGURE 10 NOTCHES INSTALLED INCORRECTLY (POINTING DOWN)

2. Notches must be pointed up the ladder. The SAF-T-GRIP™ SLEEVE will not engage during a fall if the notches are pointing in the wrong direction (see figures 9 and 10).
3. Notches should not be filled with grease, paint, ice, or other materials which would inhibit the locking action of the pawl.
4. The entire rail, including all attaching hardware, should be inspected at least annually. Inspect joints to make sure the rail sections fit snugly against one another and all connecting straps are present. Any loose nuts or bolts should be tightened. If necessary, rail alignment should be corrected. Any damaged rail should be replaced. Damage includes the following: obvious dents or holes; bends or distortion of the shape of the rail; broken notches; stripped studs.
5. Make sure that the hardware is installed correctly (Figure 9 shows galvanized rail and Figure 10 shows stainless and aluminum rails).

If inspection reveals an unsafe or defective condition remove the sleeve from service and contact Honeywell Safety Products.



⚠ WARNING

Rail showing any of the defects described above should not be used until the problem has been corrected. Any individual piece of rail which has been involved in a fall or drop test must be replaced immediately with new rail. The stresses involved in these situations may make the rail unsafe for future use. The entire length of rail should be thoroughly inspected to determine if the fall loosened any attaching hardware. Failure to follow any of the above instructions may lead to serious injury or death.

14.0 MAINTENANCE AND CARE

Always store equipment in a clean, dry environment, free of corrosives and harmful fumes and out of direct sunlight.

14.1 SAF-T-GRIP™ Carabiner

Honeywell Safety Products recommends cleaning safety equipment periodically. This should be done in conjunction with verification inspections.

Weather proof user equipment Storage Box is available. Please contact Honeywell Safety Products for more information.

▲ WARNING

Cleaning: If soiled rinse in clean warm water of domestic supply quality (maximum temperature 400°C) with mild detergent at appropriate dilution (pH range 5.5 - 8.5). Dry naturally away from direct heat. Failure to properly clean the carabiner may lead to its malfunction which may, in turn, lead to serious injury or death.

Lubrication: Lubricate the gate and swivel mechanism with silicone based lubricant only. This should be carried out after cleaning. Ensure that lubricant does not come into contact with any tape/webbing elements of the system to which the connector is attached. Improper lubrication of the carabiner may cause it to malfunction which may lead to serious injury or death.

Cleaning and lubrication may cure defective gate mechanism action. If it does not replace the connector immediately. Defective gate mechanism action may affect the safe use of this product. Failure to replace the connector immediately if the gate is not working correctly, may lead to serious personal injury or death.

Disinfection: Disinfect using a disinfectant containing quaternary ammonium compounds reinforced with chlorohexidine (e.g. Savlon) in sufficient quantities to be effective. Soak the product for 1 hour at the dilution recommended for general use by the disinfectant manufacturer using clean water not exceeding 200°C then rinse thoroughly. Failure to properly clean and disinfect product components may lead to their deterioration which in turn may lead to serious injury or death.

Storage: After any necessary cleaning, store unpacked in a cool, dry, dark place in a chemically neutral environment away from excessive heat or heat sources, high humidity, sharp edges, corrosives or other possible causes of damage. Do not store wet. Storing this product wet or damp and/or in a humid environment may cause the product's malfunction and, in turn, may lead to serious injury or death.

It is important to remove surface dirt and grime from the product as accumulated soiling can mask damage and shorten the sleeve life. Failure to remove surface dirt and grime may cause components of this product to malfunction which, in turn, may lead to serious injury or death.

14.2 SAF-T-GRIP™ Energy Absorber

Any additional maintenance and servicing procedures must be completed by an authorized service center (Honeywell Safety Products).

▲ WARNING

Webbing must be cleaned by sponging with a mild solution of detergent and cold or warm water. Equipment should be wiped with a clean cloth and hung to dry out thoroughly, away from direct sunlight or excessive heat. Failure to properly clean the webbing may degrade the strength of the webbing which may, in turn, lead to serious injury or death.

15.0 SAF-T-GRIP™ Labels

▲ WARNING

READ, FOLLOW, AND UNDERSTAND ALL INSTRUCTIONS BEFORE USE. FOR ATTACHMENT, CONNECT THROUGH GATED OPENING IN ALLY BODY. FAILURE TO READ AND UNDERSTAND HOW THIS PRODUCT IS USED, MAY LEAD TO SERIOUS INJURY OR DEATH. THE ENERGY ABSORBER IS A CRITICAL SAFETY COMPONENT OF THIS FALL ARRESTER – DO NOT REMOVE. REMOVAL OF THE ENERGY ABSORBER MAY LEAD TO SERIOUS INJURY OR DEATH. DO NOT REMOVE, DAMAGE OR CUT COVER AND/OR ENERGY ABSORBER WEBBING. DAMAGE TO THE COVER OR ENERGY ABSORBER MAY RESULT IN SERIOUS INJURY OR DEATH.

100021022-01-000
NORTH

Model#/Modèle #: 602-100-003
Serial#/#Série: XXXXX
Date of manufacture/
Date de fabrication
MM-YYYY
ANSI A14.3-2002
Made in Canada

NORTH

North Safety Products Ltd www.saf-t-climb.com

▲ WARNING

Read and understand all of the manufacturer's instructions and warnings before use. Failure to read and understand these instructions may lead to serious injury or death.

▲ AVERTISSEMENT

Lire et comprenez toutes les instructions et tous les avertissements du fabricant avant utilisation. Ne pas lire ou ne pas comprendre ses instructions peut engendrer des blessures graves ou la mort.

ENERGY ABSORBER serial # / ABSORBEUR D'ÉNERGIE N° de série :
Date of manufacture / Date de fabrication :
Capacity/Maximum weight of user: 310 lbs (140kg) / Capacité/ poids maximal de l'utilisateur: 310 lb (140 kg)
Material: 42MM (1 3/4") polyester web / Matériau: Single en polyester de 42 mm (1 3/4 po)
Maximum Arrest Force: 1500 LBS (680N) / Force d'arrêt maximale: 1 500 lb (680 N)
Max Deployment Length: 1.5m (72") / Longueur de déploiement maximale: 1,50 m (72 po)

WARNING- READ MANUFACTURER'S INSTRUCTIONS BEFORE USE.
AVERTISSEMENT- LIRE LES INSTRUCTIONS DU FABRICANT AVANT D'UTILISER.

W	A	R	E	M	J	A	S	O	N	D

Inspect before each use.
Inspecter avant chaque utilisation.

NORTH
Company/Compagnie

Identification Number/Numéro d'identification



NORTH Saf-T-Grip™

▲ **AVERTISSEMENT**
Lire et comprendre toutes les instructions et tous les avertissements du fabricant avant utilisation. Ne pas lire ou ne pas comprendre ses instructions peut engendrer des blessures graves ou la mort.

▲ **AVERTISSEMENT**
Ne pas faire fonctionner ce produit si le revêtement du absorbeur d'énergie est saigné. Endommager le revêtement du absorbeur d'énergie peut engendrer des blessures graves ou la mort.

▲ **AVERTISSEMENT**
Souscrire l'énergie est un composant essentiel du dispositif de sécurité de cet équipement de protection personnelle – NE PAS RETENIR. Le retrait de l'absorbeur d'énergie peut engendrer des blessures graves ou la mort.

▲ **AVERTISSEMENT**
Lire et comprendre toutes les instructions et tous les avertissements du fabricant avant utilisation. Ne pas lire ou ne pas comprendre ses instructions peut engendrer des blessures graves ou la mort.

▲ **AVERTISSEMENT**
Si le revêtement du absorbeur d'énergie est saigné – NE PAS RETENIR. Le retrait de l'absorbeur d'énergie peut engendrer des blessures graves ou la mort.

NORTH Saf-T-Grip™
Fall Arrest Device
Camarade peut, descend, et adhère à tous de les suivants: constructeur's instructions. Failure to do so may result in serious injury or death.

NE USE: Exceed the connection length to the device. Use the maximum of the connection length to exceed of (200mm). Use this sleeve with any other fall or harness system; remove energy absorber; alter or substitute any component on the safety system.

Slide into this sleeve with Safety rail post (SIS-XXX-000) or use the Safety harness post # 720-201-000 or 720-201-000. Use only North Safety components for this system.

FAILING TO FOLLOW THESE WARNINGS AND INSTRUCTIONS MAY LEAD TO SERIOUS INJURY OR DEATH.

NORTH Saf-T-Grip™
Fall Arrest Device
Camarade peut, descend, et adhère à toutes les instructions du constructeur de sécurité. L'échec de ce peut entraîner des blessures graves ou la mort.

NE PAS UTILISER: Exceedre la longueur de la connexion du dispositif. Permettre la connexion du camarade d'excéder de (200mm). Utilisez ce camarade avec d'autres systèmes de sécurité tels que harnais. Enlever l'absorbeur d'énergie. Alterer ou substituer un composant dans le système de sécurité.

ÉVITER: Utiliser ce camarade avec le produit North. Utilisez ce camarade avec le matériel de numéro #720-201-000 ou 720-201-000. Utilisez seulement les composants du Produits de Sécurité North pour ce système.

NE PAS OUBLIER: Lire et comprendre toutes les instructions et tous les avertissements du fabricant avant utilisation. Ne pas lire ou ne pas comprendre ces instructions peut entraîner des blessures graves ou la mort.

▲ **WARNING**
STOP!
Installed upside down. Do not use. Use of this product in this manner may lead to serious injury or death.



by Honeywell

Saf-T-Climb® Fall Prevention System Inspection Log



WARNING
Read the instruction manual before each use. All inspections must be conducted by a competent individual as per OSHA Rigger(s) must be inspected as per OSHA and, annual inspections must be performed as required. Failure to comply with the above may lead to serious personal injury or death.

DATE OF INSPECTION: _____

INSTALLATION DATE: _____

ITEMS TO INSPECT	INSPECTED BY	PASS / FAIL	DEFICIENCIES NOTED	CORRECTIVE ACTION	MAINTENANCE PERFORMED	DATE MAINTENANCE PERFORMED	NOTES
Rail Position on Ladder							
Orientation of Notches on Rail							
Material Filled on Notches							
Rail Alignment at the Joints							
Loose Bolts and Nuts							
Damage on Notches or Rail*							
Spacing Between Rung Clamps**							
Damaged Rung Clamp*							
Bent Studs on Clamps*							
Locknuts on Studs (Sail/ Rung Clamp Only)							

*Refers to the instruction manuals for details of inspection procedures (p. 24)

**Refers to Saf-T-Climb Fall Prevention System Installation Instructions (p. 1)

INSPECTION AND MAINTENANCE LOG (SAF-T-GRIP™ SLEEVE)



by Honeywell

Saf-T-Climb® Fall Prevention System Inspection Log



WARNING

Read the instruction manual before each use. All inspections must be conducted by a competent individual as per OSHA ladder(s) / must be inspected as per OSHA and, annual inspections must be performed as required. Failure to comply with the above may lead to serious personal injury or death.

DATE OF INSPECTION: _____

INSTALLATION DATE: _____

ITEMS TO INSPECT	INSPECTED BY	PASS / FAIL	DEFICIENCIES NOTED	CORRECTIVE ACTION	MAINTENANCE PERFORMED	DATE MAINTENANCE PERFORMED	NOTES:
Top Plate							
Bottom Plate							
Return Springs							
Side Legs							
All Fasteners (Rivets, Spring Pins, Screws)							
Shock Absorber							
Catchbar							
All Bearings (5)							
Top Plate Springs							
All Teeth (4)							
Clamping Services							
U-belt							

*Refers to the instruction manuals for details of inspection procedures. (p. 24)

**Refers to Saf-T-Climb Fall Prevention System Installation Instructions (p. 1)



by Honeywell

Saf-T-Climb® Fall Prevention System Inspection Log



Read the instruction manual before each use. All inspections must be conducted by a competent individual as per OSHA ladder(s) must be inspected as per OSHA and annual inspections must be performed as required. Failure to comply with the above may lead to serious personal injury or death.

DATE OF INSPECTION: _____

INSTALLATION DATE: _____

SAF-T-Climb® (If Applicable)	INSPECTED BY	PASS / FAIL	DEFICIENCIES NOTED	CORRECTIVE ACTION	MAINTENANCE PERFORMED	DATE MAINTENANCE PERFORMED	NOTES
Check if the Ceiling is Cracked/Damaged							
Rail is Aligned with Saf-T-Mount							
Notch is not Damaged/Deteriorated							
PIVOT	INSPECTED BY	PASS / FAIL	DEFICIENCIES NOTED	CORRECTIVE ACTION	MAINTENANCE PERFORMED	DATE MAINTENANCE PERFORMED	NOTES
Rail Alignment at the Joints							
Damage on Notches or Rail							
Rung Clamps are Installed Correctly**							
Quick Release Pins Functioning Properly							
REMOVABLE EXTENSION	INSPECTED BY	PASS / FAIL	DEFICIENCIES NOTED	CORRECTIVE ACTION	MAINTENANCE PERFORMED	DATE MAINTENANCE PERFORMED	NOTES
Rail Alignment at the Joints							
Damage on Notches or Rail							
Rung Clamps are Installed Correctly**							
Quick Release Pins Functioning Properly							
Alignment Guide and Mounting Clamps							
Tie Down Rod is Functioning							

*Refers to the instruction manuals for details of inspection procedures (p. 25) **Refers to Saf-T-Climb® Fall Prevention System Installation Instructions (p. 1)

16.0 MISCELLANEOUS SAFE CLIMBING PRACTICES

▲ WARNING

1. Immediately report any loose hardware observed.
2. Never attempt to simulate or demonstrate a fall with a human subject.
3. Any harness, lanyards or sleeves which have been exposed to a fall impact or drop test must be immediately and permanently retired from service.
4. Any individual piece of SAF-T-NOTCH RAIL on which a fall has occurred should be considered unsafe and immediately replaced, whether or not it shows evidence of being stressed by the fall. The remaining sections of rail and hardware should be inspected for damage.
5. Drop and Pull Testing should NEVER be performed on equipment which is intended for actual use. These are destructive tests and the stresses incurred under test conditions make the equipment unsafe for further use. SAF-T-CLIMB® equipment is certified to CSA and meets or exceeds the ANSI and OSHA standards for fall prevention equipment. However, if you desire additional testing beyond what is performed by the factory, please contact us. We can test the equipment to your specifications. Any parts of the system used in a drop test should be immediately and permanently retired from use.
6. All safety equipment which is not intended for permanent installation should be stored in a cool, dry area that is not exposed to excessive sunlight. Both sunlight and heat over an extended period of time will damage harnesses and lanyards.

Failure to follow all, or any, of the above instructions or warnings may lead to serious injury or death.

▲ WARNING

The SAF-T-GRIP™ sleeve must always be installed on the carrier rail with the arrow pointing UP. If the sleeve is installed on the rail in an upside down position (with the arrow pointing down), the pawl will not lock and will not arrest a fall which may result in serious injury or death.

17.0 WARRANTY

SAF-T-CLIMB® FALL PREVENTION SYSTEMS ARE WARRANTED BY HONEYWELL SAFETY PRODUCTS TO BE FREE FROM DEFECTS IN MATERIALS AND WORKMANSHIP. HONEYWELL SAFETY PRODUCTS ONLY OBLIGATION UNDER THIS WARRANTY SHALL BE, AT ITS SOLE OPTION, TO REPAIR, REPLACE OR REFUND THE PURCHASE PRICE OF ANY NORTH COMPONENTS FOUND BY HONEYWELL SAFETY PRODUCTS TO BE DEFECTIVE, PROVIDED THE COMPONENT IS RETURNED, FREIGHT PREPAID TO HONEYWELL SAFETY PRODUCTS (26 DANSK COURT, TORONTO, ONTARIO, M9W 5V8). THE BUYER ASSUMES RESPONSIBILITY FOR PROPER INSTALLATION, MAINTENANCE, AND OPERATION OF THE SYSTEM, FOR COMPATIBILITY AND RELIABILITY OF ANY COMPONENTS NOT MANUFACTURED OR SUPPLIED BY HONEYWELL SAFETY PRODUCTS, AND FOR ALL OTHER RISKS, IF ANY, SUCH AS THE RISK OF ANY DIRECT, INDIRECT OR CONSEQUENTIAL DAMAGES ARISING OUT OF THE USE OF, OR INABILITY TO USE THE SYSTEM OR ANY OF ITS COMPONENTS. THIS WARRANTY IS IN LIEU OF THE IMPLIED WARRANTIES OF MERCHANTABILITY AND FITNESS FOR PARTICULAR PURPOSE AND ALL OTHER WARRANTIES, EXPRESS OR IMPLIED, AND MAY NOT BE VARIED OR EXTENDED EXCEPT IN WRITING BY AN AUTHORIZED OFFICIAL OF HONEYWELL SAFETY PRODUCTS.



by Honeywell

FRANÇAIS SOMMAIRE

PAGE

1.0 Introduction	27
1.1 Information importante	27
1.1.1 Terminologie	28
1.1.2 Avertissements généraux	28
2.0 Instructions et informations destinées à l'utilisateur	28
2.1 Programme antichute	28
2.1.1 Analyse des dangers	28
2.1.2 Prévention et protection	28
2.1.3 Procédures	29
Tableau 1 réglementations et normes	30
3.0 Éléments du système saf-t-climb®	31
3.1 Objet	31
3.2 Restrictions	32
4.0 Spécifications du système	32
4.1 Compatibilité des composants et des sous-systèmes	32
5.0 Mousqueton SAF-T-GRIP™	33
6.0 Fonctionnement et mode d'emploi	35
7.0 Test antérieur à l'utilisation	35
8.0 Raccordement du coulisseau au harnais complet	36
9.0 Escalade du rail	36
9.1 Ascension (vers le haut du rail)	37
9.2 Descente (s'éloigner du haut du rail)	37
9.3 Détachement du système	37
10.0 Utilisation d'accessoires spéciaux	38
10.1 Partie pivotante saf-t	38
10.2 Kit d'extension amovible	39
11.0 Escalade des parties horizontales du rail	39
11.1 Ascension	39
11.2 Descente	40
12.0 FRÉQUENCE DES INSPECTIONS	40
12.1 Directives d'inspection du coulisseau SAF-T-GRIP™	40
13.0 Rail doté de butées de progression Saf-T	42
13.1 Rail doté de butées de progression Saf-T	42
14.0 MAINTENANCE ET ENTRETIEN	44
14.1 Mousqueton SAF-T-GRIP™	44
14.2 Absorbeur d'énergie SAF-T-GRIP™	45
15.0 Étiquettes Saf-T-Grip™	45
Journal d'inspection et de maintenance (rail)	46
Journal d'inspection et de maintenance (coulisseau)	47
Journal d'inspection et de maintenance (dispositifs de sortie de l'échelle)	48
16.0 Diverses pratiques d'escalade sécuritaires	49
17.0 Garantie	49

Technical Service Numbers Nombres service technique Números Servicio Técnico

North and South America
Du Nord et Amérique du Sud
América del Norte y América
del Sur
1-800-873-5242

Europe
Europe / Europa
+31 (0)118 656400

DÉFINITIONS ET ÉQUIVALENCES

Newton (N) : Unité de force, correspondant à une accélération d'un mètre à la seconde par seconde communiquée à une masse d'un kilogramme.

Kilonewton (kN) : 1 000 Newtons

Kilogramme (kg) : 2 205 livres

1.0 INTRODUCTION

Honeywell Safety Products est un chef de file reconnu dans l'industrie de l'équipement de protection individuelle, et elle est fière de fabriquer et de vendre les produits de sécurité Miller. Ce manuel offre des instructions de base concernant le choix, l'utilisation et l'entretien des équipements de protection antichute de Miller. Si vous n'êtes pas sûr que cet équipement convienne aux travaux que vous réalisez, consultez votre chef ou votre responsable de la sécurité.

Contactez le service à la clientèle de Honeywell Safety Products au 1-888-212-SAFE (7233) pour obtenir plus d'informations ou de conseils supplémentaires concernant la sélection, l'utilisation, l'inspection ou l'entretien de tout équipement de protection antichute de Miller. Le système antichute pour échelle SAF-T-CLIMB® est un des systèmes antichute les plus efficaces actuellement sur le marché. Honeywell Safety Products fabrique un produit de qualité, sur lequel vous et vos grimpeurs pouvez compter. Ce manuel explique comment utiliser et entretenir correctement l'équipement SAF-T-CLIMB®.

1.1 INFORMATION IMPORTANTE

AVERTISSEMENT :

Ne pas oublier que chaque composant de ce système antichute doit être compatible avec les autres composants pour offrir une protection adéquate. Lire attentivement ce manuel et assimiler totalement son contenu avant d'utiliser le système antichute. Le non-respect de cette consigne peut causer des blessures graves, voire mortelles. Il vous faut aussi inspecter complètement et correctement les composants de ces dispositifs antichute. Le non-respect de cette consigne peut causer des blessures graves, voire mortelles. Cependant, aucun manuel ne peut remplacer un programme de formation à l'escalade. Avant d'utiliser les composants de ce système antichute, il est impératif d'avoir suivi une formation officielle à l'escalade. Le non-respect d'une telle consigne peut causer des blessures graves, voire mortelles.

Une fois que le système est correctement installé et inspecté, chaque grimpeur doit s'assurer que son équipement fonctionne parfaitement AVANT toute escalade. Les normes OSHA 1926.951 et ANSI 10.14-1991 recommandent l'inspection de l'équipement avant chaque utilisation. Conserver ce manuel avec le COULISSEAU ANTICHUTE SAF-T-GRIP™ SLEEVE et le HARNAIS D'ESCALADE CONFORTABLE SAF-T.

Chaque dispositif doit être doté d'une étiquette laminée blanche attachée en bas de l'échelle, à la hauteur des yeux. Dans la mesure du possible, l'étiquette doit aussi être placée à d'autres points d'entrée, le long de la zone d'escalade. Elle indique au grimpeur que l'échelle est équipée d'un système antichute et qu'il doit porter un coulisseau et un harnais. L'étiquette doit indiquer l'emplacement d'entreposage des coulisseaux antichute et des harnais, si ces derniers n'ont pas été remis personnellement à la personne. L'étiquette doit aussi indiquer l'orientation adéquate du coulisseau afin qu'il soit utilisé en toute sécurité et rappeler au grimpeur qu'il doit toujours respecter les consignes de sécurité lors de son escalade.

Avant de commencer à grimper, les grimpeurs novices doivent suivre une formation poussée aux pratiques sécuritaires de l'escalade ainsi qu'à l'utilisation du système SAF-T-CLIMB®. Même les grimpeurs expérimentés doivent suivre des formations régulières concernant l'escalade sans danger.

Pour que l'équipement continue à protéger tous les grimpeurs, ses principaux composants doivent être fréquemment inspectés et le rail doit être inspecté sur toute sa longueur une fois par an. Les grimpeurs doivent être tellement familiers avec les méthodes d'escalade sûres et adéquates et ces dernières doivent être tellement ancrées dans leurs habitudes de travail qu'ils les adoptent automatiquement lors de toute escalade.

1.1.1 Terminologie

Signification des avertissements, conseils de prudence et remarques de ce manuel :

▲ AVERTISSEMENT

Consignes et techniques à observer rigoureusement pour éviter que l'utilisateur ne soit exposé à des risques de blessures graves ou de décès.

MISE EN GARDE

Consignes et techniques à observer rigoureusement pour éviter d'endommager l'équipement.

REMARQUE

Consignes et techniques considérées suffisamment importantes pour qu'on y mette l'accent.

▲ AVERTISSEMENT

1.1.2 Avertissements généraux

1. Lire avec soin toutes ces instructions avant d'utiliser cet équipement. Elles doivent être comprises et respectées afin que l'équipement vous protège de manière adéquate **LE NON-RESPECT DE CES RESTRICTIONS, CONSEILS DE PRUDENCE ET AVERTISSEMENTS PEUT AFFECTER LE SYSTÈME DE PROTECTION ET CAUSER UNE CHUTE, DES BLESSURES GRAVES, UN HANDICAP, VOIRE LA MORT.**
2. Tous les utilisateurs de cet équipement antichute doivent être en bonne santé physique et mentale, ne doivent pas souffrir de conditions médicales pouvant être aggravées par une chute et ne peuvent en aucun cas être sous l'influence de l'alcool ou de la drogue. Le non-respect de ces consignes peut entraîner des chutes et des blessures graves, voire mortelles.

2.0 INSTRUCTIONS ET INFORMATIONS DESTINÉES À L'UTILISATEUR

2.1 Programme antichute

Honeywell Safety Products pense qu'un danger de chute ne peut être contrecarré régulièrement par une protection antichute adéquate que lorsque les dirigeants et les travailleurs collaborent de manière cohérente et continue. Pour atteindre cet objectif, une politique écrite doit être élaborée et respectée. Voir : le sous-paragraphe M, annexe C de la norme 1926 de l'OSHA concernant la planification de la protection antichute : directives non exécutoires pour le respect de la norme 1926. 502(d). La politique écrite doit tenir compte des facteurs suivants :

2.1.1 Analyse des dangers

- Visibles et invisibles
- Comprendre les exigences du projet
- Tenir compte de tout obstacle, au-dessus ou en dessous
- Tenir compte de toute machine en mouvement

2.1.2 Prévention et protection

- Identifier les détails spécifiques à la tâche devant être réalisée
- Le danger peut-il être éliminé?
- Une protection personnelle est-elle nécessaire?
 - Quelle est la distance de la chute?
 - Quel est le poids du travailleur?
 - Quels niveaux de forces seront exercés sur le corps en cas de chute?
 - Existe-t-il un risque de chute pendulaire?

2.1.3 Procédures

Doivent être écrites afin de pouvoir gérer chaque danger et doivent couvrir les points suivants :

- Sélection de l'équipement homologué adéquat
- Instructions d'utilisation pertinentes
- Compatibilité des composants
- Formation de l'utilisateur
- Sauvetage
- Inspection de l'équipement
- Corde d'arrimage
- Ligne de vie verticale
- Mousqueton
- Chute libre
- Élongation et décélération
- Obstacles éventuels
- Qui sera autorisé à utiliser l'équipement de protection antichute?
- Évaluation de toutes les réglementations et normes gouvernementales pertinentes (voir le tableau 1)
- Entretien et entreposage adéquat

▲ AVERTISSEMENT

Ne jamais essayer de réparer un équipement endommagé. Le mettre immédiatement hors service et ne pas le réutiliser. Toute utilisation d'un équipement endommagé peut causer des blessures graves, voire mortelles.

▲ AVERTISSEMENT

Ne pas utiliser de produits de nettoyage à base de solvant et ni appliquer de peinture ou de marqueurs à base de solvant pour identifier l'unité. La réaction chimique entre les solvants et les sangles et/ou tout autre composant du système Saf-T-Climb® peut endommager ces derniers. L'utilisation de solvants ou de peinture sur les composants du système de protection antichute peut entraîner des blessures graves, voire mortelles.

TABLEAU 1 RÉGLEMENTATIONS ET NORMES

L'équipement de protection antichute (appelé aussi équipement d'arrêt de chute) est régi par des lois, des réglementations, des normes et des recommandations émises par divers organismes internationaux et nationaux. Au Canada et aux États-Unis, les normes et réglementations pertinentes sont :

CSA – ASSOCIATION CANADIENNE DE NORMALISATION

Ceintures de travail et selles pour le maintien en position de travail et la limitation du déplacement	CSAZ259.1-05
Dispositifs d'arrêt de chute et lignes de vie verticales	CSAZ259.2.1-98
Dispositifs auto rétractables pour les systèmes d'arrêt de chute personnels	CSAZ259.2.2-98
Dispositifs de contrôle de la descente	CSAZ259.2.3-99
Harnais complets	CSAZ259.10-06
Absorbeurs d'énergie pour les systèmes d'arrêt de chute personnels	CSAZ259.11-05
Composants connecteurs pour les systèmes d'arrêt de chute personnels	CSAZ259.12-01
Lignes de vie horizontales flexibles	CSAZ259.13-04
Équipement antichute pour l'escalade de poteaux en bois	CSAZ259.14-01
Conception de systèmes antichute actifs	CSAZ259.16-03

OSHA – OCCUPATIONAL SAFETY & HEALTH ADMINISTRATION (ORGANISME POUR LA SANTÉ ET LA SÉCURITÉ AU TRAVAIL)

RÉGLEMENTATIONS DE L'ARTICLE 29 DU CODE DES RÉGLEMENTATIONS FÉDÉRALES (29 CFR) NORMES INDUSTRIELLES GÉNÉRALES RÉGISSANT LA SANTÉ ET LA SÉCURITÉ AU TRAVAIL

Sous-section F

- Plate-formes électriques et maintenance des bâtiments 1910.66

Sous-section J

- Travaux en espace clos nécessitant un permis 1910.146

Sous-section R, Industries spéciales

- Travaux agricoles 1910.267
- Télécommunications 1910.268
- Génération, transmission, et distribution d'énergie électrique 1910.269

NORMES INDUSTRIELLES GÉNÉRALES RÉGISSANT LA SANTÉ ET LA SÉCURITÉ AU TRAVAIL

Sous-section E, Équipement de protection personnelle

- Ceintures de sécurité, lignes de vie et longes 1926.104
- Filets de sécurité 1926.105

Sous-section L, Échafaudage

- Chaises de Gabier 1926.451 (1)

Sous-section M, Protection antichute

- Ampleur, applications et définitions 1926.500
- Obligation de porter une protection antichute 1926.501
- Critères et pratiques régissant les systèmes de protection antichute 1926.502
- Impératifs de formation 1926.503

Sous-section R, Érection d'une structure en acier

- Protection antichute 1926.760

NORMES RÉGISSANT LA SANTÉ ET LA SÉCURITÉ AU TRAVAIL POUR LES TERMINAUX PORTUAIRES ET LES INSTALLATIONS CÔTIÈRES

- Terminaux portuaires 1917
- Installations côtières 1918

ANSI – AMERICAN NATIONAL STANDARDS INSTITUTE (ORGANISME DE NORMALISATION AMÉRICAIN)

OPÉRATIONS DE CONSTRUCTION ET DE DÉMOLITION

- Spécifications pour les ceintures de sécurité, les harnais, les longes et les lignes de vie A10.14 – 1991
- Échelles (Fixées) - Impératifs de sécurité A14.3 – 2002
- Impératifs de sécurité pour les espaces confinés Z117 - 1994
- Impératifs de sécurité pour les systèmes individuels d'arrêt de chute, Z359.0 / Z359.1 / Z359.2 /
Sous-systèmes et composants Z359.3 / Z359.4 - 2007

3.0 LES SYSTÈMES SAF-T-CLIMB® SONT CONSTITUÉS DES ÉLÉMENTS SUIVANTS :

- Rail de sécurité doté de butées de progression saf-t et matériel connexe
- Coulisseau antichute saf-t-grip™ (pièce n° 602-100-003)
- Harnais d'escalade confortable saf-t (pièce n° 730-201-001 ou 733-201-001)
- Dispositifs de sortie
- Tout autre accessoire SAF-T-CLIMB® requis

▲ AVERTISSEMENT

Utiliser toujours les composants Saf-T-Climb® authentiques, fabriqués par Honeywell Safety Products avec les systèmes de rails de sécurité Saf-T-Climb®. Il se peut que les composants d'autres systèmes antichute ne soient pas compatibles avec les systèmes antichute pour échelles de North Safety. Il est donc conseillé de ne pas compter sur leur compatibilité pour arrêter les chutes, à moins qu'ils n'aient été testés et que leur compatibilité n'ait été prouvée. L'utilisation de composants autres que les composants Saf-T-Climb® authentiques peut entraîner des blessures graves, voire mortelles.

3.1 Objet

Le coulisseau antichute SAF-T-GRIP™ (pièce n° 602-100-003) empêche le grimpeur de tomber lorsqu'il doit monter à l'échelle. Ce coulisseau a été conçu et doit être utilisé pour la protection individuelle des travailleurs et non pour manipuler des matériaux.

▲ AVERTISSEMENT

N'utiliser ce produit que pour son usage prévu. Toute utilisation de ce coulisseau pour manipuler des matériaux est interdite et peut entraîner des blessures graves, voire mortelles.

▲ AVERTISSEMENT

L'utilisateur final ou l'installateur doit s'assurer que l'échelle est conforme à toutes les réglementations et normes locales, provinciales, étatiques et fédérales. Le non-respect de cette consigne peut entraîner des blessures graves, voire mortelles.

3.2 Restrictions

- Le coulisseau SAF-T-GRIP™ (pièce n° 602-100-003) ne peut être utilisé qu'avec le modèle de rail de sécurité n° 526-10X-00X de Honeywell Safety Products.
- Ce coulisseau SAF-T-GRIP™ ne peut pas être utilisé avec un autre système de rail de sécurité.
- Le coulisseau doit être directement raccordé à l'anneau en D ventral d'un harnais complet Miller (pièce n° 733-201-001).

▲ AVERTISSEMENT

Ne jamais utiliser d'autre lien destiné à rallonger la distance entre le coulisseau et l'anneau en D du harnais. L'utilisation de tout autre lien destiné à rallonger la distance entre le coulisseau et l'anneau en D pourrait entraîner des blessures graves, voire mortelles.

▲ AVERTISSEMENT

Les normes CSA Z259.2.1-98, ANSI A14.3 et OSHA 1926.1053 stipulent que la longueur maximum d'un raccordement entre le rail de sécurité et un point d'ancrage ne doit pas dépasser les 23 cm (9 po). Un raccordement plus long pourrait entraîner des blessures graves, voire mortelles.

4.0 SPÉCIFICATIONS DU SYSTÈME

4.1 Compatibilité des composants et des sous-systèmes

Le coulisseau antichute SAF-T-GRIP™ (pièce n° 602-100-003) de Honeywell Safety Products n'est compatible qu'avec le rail de sécurité n° 526-10X-00X de Honeywell Safety Products. Toute substitution ou échange de composants menace la compatibilité des éléments du système et peut entraîner des blessures graves, voire mortelles. Contacter Honeywell Safety Products pour toute question concernant la compatibilité de l'équipement.

▲ AVERTISSEMENT

Ne jamais utiliser le harnais complet d'un autre fabricant. Honeywell Safety Products recommande l'utilisation exclusive du harnais d'escalade SAF-T-CLIMB n° 733-201-00X avec son coulisseau antichute SAF-T-GRIP. L'utilisation de tout composant autre que ceux cités ci-dessus peut entraîner des blessures graves, voire mortelles.

5.0 MOUSQUETON SAF-T-GRIP™

⚠ AVERTISSEMENT

LIRE ET ASSIMILER TOUTES LES INSTRUCTIONS ET AVERTISSEMENTS; LE NON RESPECT DE CETTE CONSIGNE PEUT ENTRAÎNER DES BLESSURES GRAVES, VOIRE MORTELLES.

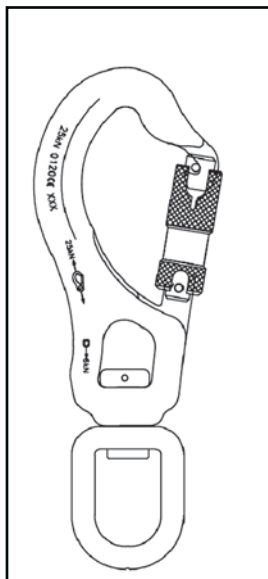


FIGURE 1

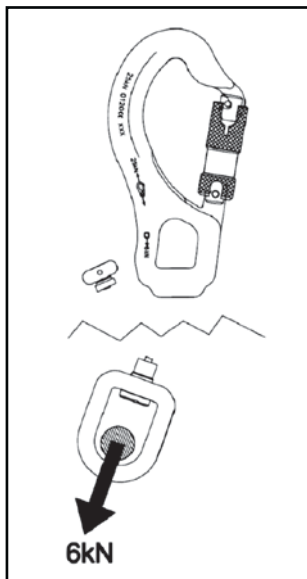


FIGURE 2

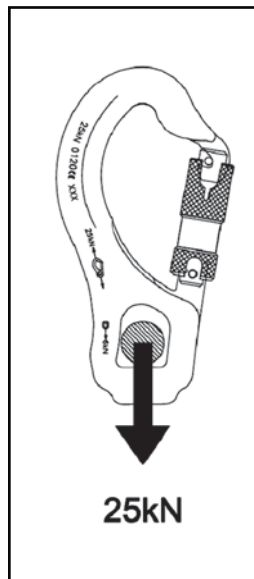


FIGURE 3

⚠ AVERTISSEMENT

Il est indispensable de comprendre parfaitement tous les aspects de ce produit. En cas de doutes concernant l'utilisation du produit ou ses restrictions, **NE PAS L'UTILISER** avant d'avoir vraiment compris comment l'utiliser. Le non-respect de cette consigne peut entraîner des blessures graves, voire mortelles.

L'on doit respecter les instructions d'utilisation des composants utilisés avec ce connecteur. Le fait de ne pas comprendre toutes les instructions et tous les avertissements associés au produit et à d'autres produits connexes peut entraîner des blessures graves, voire mortelles.

En cas de doute sur le fonctionnement optimal et l'état sécuritaire de ce produit, **NE PAS L'UTILISER** avant d'en avoir discuté avec une personne compétente pouvant vous informer quant à l'état du produit. Le non-respect de cette consigne peut entraîner des blessures graves, voire mortelles.

Ce connecteur doit être utilisé avec un système antichute spécifique **ET NE PEUT** remplacer le composant d'un autre système d'arrêt de chute. Le fait d'utiliser ce dispositif d'une manière autre que celle recommandée par le fabricant peut entraîner des blessures graves, voire mortelles.

▲ AVERTISSEMENT

Ce connecteur ne peut être utilisé que dans le cadre des applications pour lequel il a été conçu. Ne jamais le modifier. Le non-respect de ces consignes peut entraîner des blessures graves, voire mortelles.

L'oeil pivotant en acier (de couleur or) peut soutenir une charge maximum de 6 kN (= 611 kg = 1368 lb). Lorsque la charge est supérieure, l'oeil pivotant est conçu pour se détacher. Une fois qu'il s'est détaché, le connecteur est inutile.

▲ AVERTISSEMENT

Si l'oeil pivotant se détache, ne pas le réutiliser. L'utilisation d'un oeil pivotant qui s'est détaché d'un mousqueton peut entraîner des blessures graves, voire mortelles.

L'oeil pivotant ne doit jamais être utilisé comme attache d'arrêt de chute principale, car il est conçu pour se détacher à 6 kN (611 kg). L'utilisation de l'oeil pivotant comme attache d'arrêt de chute principale peut entraîner des blessures graves, voire mortelles.

L'oeilleton en aluminium (alliage) dans lequel se fixe l'oeil pivotant (de couleur noire) est l'élément porteur principal de ce connecteur. Lorsque le chargement repose sur l'axe principal situé à l'arrière du connecteur, et que l'écrou est totalement fermé et verrouillé, l'oeilleton en aluminium soutiendra une charge minimale de 25 kN (= 2548 kg = 5708 lb). Il est conçu comme l'attache d'arrêt de chute principale (voir la FIG. 3).

▲ AVERTISSEMENT

Pour toute question, demander à une personne expérimentée et compétente de vous aider à utiliser, correctement, cet équipement et tous les produits antichute. Ne pas oublier qu'une mauvaise compréhension de l'utilisation des produits antichute peut entraîner des blessures graves, voire mortelles.

Juste avant d'utiliser l'équipement, toujours vérifier son fonctionnement et l'inspecter visuellement pour s'assurer que le connecteur est en bon état et fonctionne correctement. L'écrou du mousqueton doit se fermer d'un coup sec et se verrouiller automatiquement (système d'écrou à verrouillage automatique) et sans hésitation (voir la section Entretien et réparation). Honeywell Safety Products recommande une inspection détaillée du connecteur par une personne expérimentée et compétente avant et après toute utilisation. Cette inspection doit être enregistrée sur le formulaire d'inspection fourni, comme il est illustré ci-dessus. Le non-respect des consignes précitées peut entraîner des blessures graves, voire mortelles.

Ce connecteur n'a pas été conçu pour fonctionner sous tous les climats. Le gel et la glace peuvent nuire à son fonctionnement. Avant de l'utiliser, demander à votre responsable de la sécurité si les conditions climatiques peuvent nuire l'utilisation sûre et adéquate du connecteur. Le non-respect de cette consigne peut entraîner des blessures graves, voire mortelles.

▲ AVERTISSEMENT

Si ce connecteur a déjà servi à arrêter une chute, il doit être mis hors service et détruit, même si l'oeil pivotant en acier est encore intact. Le non-respect de cette consigne peut entraîner des blessures graves, voire mortelles.

Ne pas laisser ce produit entrer en contact avec des produits chimiques et/ou d'autres substances corrosives. Les produits chimiques et autres substances corrosives peuvent endommager ses sangles, affecter ainsi sa résistance et entraîner une défaillance de ses composants ainsi que des blessures graves, voire mortelles.

Ne jamais utiliser le coulisseau antichute sur un rail vertical sans butées de progression. Le coulisseau n'adhérerait pas au rail, ne bloquerait pas votre chute et risque de provoquer des blessures ou la mort.

1. NE JAMAIS GRIMPER SEUL. Toujours avoir un partenaire pouvant vous voir ou vous entendre. Votre partenaire doit avoir son propre COULISSEAU SAF-T-GRIP™ et un HARNAIS D'ESCALADE CONFORTABLE SAF-T-CLIMB à portée de main et utilisable immédiatement si le besoin s'en fait sentir.
2. Pour les DESCENTES dans les endroits confinés ou pour toute utilisation de l'équipement dans une situation où le sauvetage serait réalisé au-dessus du travailleur, la courroie d'épaule du HARNAIS D'ESCALADE CONFORTABLE SAF-T-CLIMB est équipée d'anneaux pouvant faciliter ce type de sauvetage.

LE NON RESPECT DES INSTRUCTIONS PRÉCITÉES CONCERNANT L'ESCALADE EN COMPAGNIE D'UN PARTENAIRE ET LA DESCENTE DANS DES ENDROITS CONFINÉS PEUT ENTRAÎNER DES BLESSURES GRAVES, VOIRE MORTELLES.

6.0 FONCTIONNEMENT ET MODE D'EMPLOI

Dans la mesure du possible, nous vous conseillons de raccorder le coulisseau à l'anneau en D ventral du harnais complet. La deuxième étape consiste à installer le coulisseau sur le système d'échelle.

7.0 TEST ANTÉRIEUR À L'UTILISATION

1. Le HARNAIS D'ESCALADE CONFORTABLE SAF-T-CLIMB doté de l'ANNEAU SAF-T-CLIMB doit être solidement ajusté au corps du grimpeur.

▲ AVERTISSEMENT

Ne pas attacher le harnais autour des hanches ou du bassin, car cela l'empêcherait d'être correctement ajusté et pourrait causer des blessures graves, voire mortelles.

▲ AVERTISSEMENT

Serrer fermement toutes les boucles. Ne pas entailler ni faire de trous supplémentaires dans les courroies du harnais. Si ce dernier n'est pas bien ajusté à votre corps, le remplacer par un harnais qui vous convient. Le non-respect de cette consigne peut entraîner des blessures graves, voire mortelles.

2. Vérifier que la flèche située sur le coulisseau SAF-T-GRIP™ est orientée vers le HAUT, puis faire glisser le coulisseau sur le rail et le placer entre deux butées de progression. Le laisser pendre. Vérifier que le COULISSEAU SAF-T-GRIP™ fonctionne correctement.

▲ AVERTISSEMENT

Si le coulisseau glisse, tout seul, jusqu'en bas du rail lorsqu'on le laisse aller, **IL N'EST PAS INSTALLÉ DANS LE BON SENS!** Réinstaller le coulisseau de manière à ce que la flèche soit orientée vers le haut. Le non-respect de cette consigne peut entraîner des blessures graves, voire mortelles.

3. Empoigner le coulisseau par le mousqueton et le tirer vers le bas. Il s'enclenchera dans le rail et l'agrippera. Le coulisseau doit s'enclencher dans la première butée de progression et se verrouiller. Tirer alors sur le mousqueton en l'éloignant du rail à un angle de 90°, puis vérifier que le coulisseau se déplace sans à-coup vers le haut et vers le bas.

▲ AVERTISSEMENT

La flèche du coulisseau Saf-T-Grip™ doit toujours être orientée vers le haut lorsqu'il est installé sur le rail de sécurité. Si le coulisseau est installé dans le mauvais sens, c'est-à-dire que sa flèche pointe vers le bas, il ne se verrouillera éventuellement pas lors d'une chute, ce qui pourrait causer des blessures graves, voire mortelles.

8.0 RACCORDEMENT DU COULISSEAU AU HARNAIS COMPLET

▲ AVERTISSEMENT

Raccorder le coulisseau au harnais complet North conçu pour l'escalade de l'échelle Saf-T-Climb.® Lorsque le coulisseau est raccordé au harnais, vérifier que la taille, la forme et la résistance de raccordement sont compatibles. Ne pas substituer par un autre type de connecteur. Ne pas utiliser d'autre dispositif de raccordement comme une longe courte, une chaîne ou un maillon d'attache. Dans la mesure du possible, le coulisseau doit être raccordé au harnais complet avant d'être installé sur le rail de sécurité. Lors du raccordement, vérifier que l'écrin de fermeture du mousqueton est totalement fermé et verrouillé. Le non-respect de toute consigne ci-dessus peut entraîner des blessures graves, voire mortelles.

9.0 ESCALADE DU RAIL

Étape 1

Vérifier que le coulisseau est orienté vers le haut. Placer la plaque supérieure du coulisseau autour du rail (voir la FIGURE 4).

Étape 2

Aligner la plaque inférieure du coulisseau sur le rail, en vérifiant que les plaques inférieure et supérieure sont toutes les deux installées sur le rail (FIGURE 5).

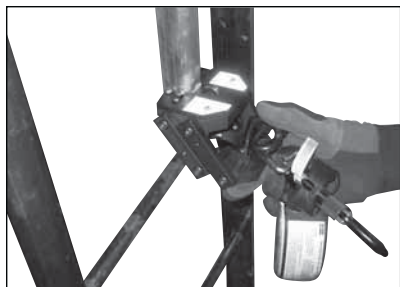


FIGURE 4

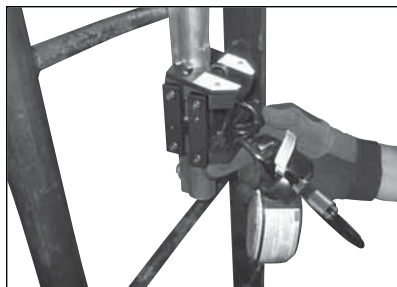


FIGURE 5

9.1 Ascension (vers le haut du rail) :

Pour monter sur l'échelle, forcer légèrement vers l'extérieur pour exercer une traction sur le mousqueton et l'éloigner du rail. Le coulisseau suivra le travailleur escaladant le rail.

⚠ AVERTISSEMENT

Ne jamais retirer l'attache du coulisseau pendant l'escalade l'échelle, à moins que le grimpeur ne risque pas de tomber ou qu'il soit raccordé à un autre système d'arrêt de chute (par ex. une longe avec absorbeur d'énergie). Si le coulisseau se bloque, descendre et s'éloigner légèrement du rail pour qu'il recommence à bouger. Pour remonter, procéder comme il est mentionné ci-dessus. Toute dépose de l'attache du coulisseau lors de l'escalade du rail peut entraîner des blessures graves, voire mortelles.

9.2 Descente (s'éloigner du haut du rail) :

Descendre lentement le long de l'échelle en appliquant une légère pression vers le rail. Laisser le coulisseau vous « guider » vers le bas. Si votre position de descente n'est pas alignée (si l'on penche trop vers l'arrière par exemple) le coulisseau peut se bloquer sur le rail. Dans ce cas, remonter légèrement et se rapprocher du rail pour le dégager; puis continuer à descendre le long de l'échelle.

9.3 Détachement du système :

Un des aspects les plus dangereux de l'escalade est de sortir de l'échelle une fois arrivé en haut. Le haut du SYSTÈME SAF-T-CLIMB® doit être équipé d'une PARTIE PIVOTANTE SAF-T. Cette dernière permettra de pivoter en toute sécurité jusqu'à ce que l'on puisse poser les pieds sur une surface protégée AVANT de détacher le système SAF-T-CLIMB.®

⚠ AVERTISSEMENT

La sortie en haut de l'échelle pouvant s'avérer très dangereuse, ne jamais essayer de commencer à grimper sans avoir en sa possession et savoir comment utiliser la PARTIE PIVOTANTE SAF-T. Toute tentative de sortie de l'échelle sans la PARTIE PIVOTANTE SAF-T ou sans une longe de sécurité reliée au grimpeur, ou sans que sa propre longe soit attachée à un point d'ancrage adéquat, peut entraîner des blessures graves voire mortelles.

Choisir votre point d'ancrage avec soin car il doit être sûr et à l'écart des autres points d'ancrage. La réglementation 29 CFR 1926.104 de l'OSHA stipule que le point d'ancrage doit pouvoir supporter un poids mort minimum de 2449,4 kg (5 400 livres).

Si l'escalade ne se termine pas par cette partie pivotante et que l'on n'arrive pas à prendre pied de manière sûre avant de détacher le coulisseau de votre harnais, contacter North pour obtenir des informations sur l'installation d'une PARTIE PIVOTANTE SAF-T.

1. Une fois en haut de l'échelle, pivoter à travers cette dernière et enjamber la rampe ou le mur AVANT de se détacher du système.

AVERTISSEMENT

S'assurer de bien pivoter à travers l'échelle ou au-dessus de la rampe avant de se détacher du système. Le non-respect de cette consigne peut entraîner des blessures graves, voire mortelles.

La partie pivotante Saf-T située en haut de l'échelle, au-dessus de la surface de réception, permet au grimpeur et au coulisseau de pivoter totalement autour du rail.

Les pieds doivent être solidement posés sur le sol avant de se détacher du système de sécurité SAF-T-CLIMB.®

AVERTISSEMENT

S'il faut absolument se détacher du SYSTÈME de sécurité SAF-T-CLIMB® avant de sortir de l'échelle, se relier à un point d'ancrage à l'aide d'une longe, AVANT de détacher le coulisseau de son harnais. Le non-respect de cette consigne peut entraîner des blessures graves, voire mortelles. Choisir votre point d'ancrage avec soin car il doit être sûr et à l'écart des autres points d'ancrage. La réglementation 29 CFR 1926.104 de l'OSHA stipule que le point d'ancrage doit pouvoir supporter un poids mort minimum de 2449,4 kg (5 400 livres).

L'emplacement et le positionnement du point d'ancrage sont critiques pour tout système de protection antichute. Le non-respect de la norme 29 CFR 1926.104 de l'OSHA peut causer des blessures graves, voire mortelles.

Lorsque l'on retourne à l'échelle pour descendre, commencer par placer le coulisseau sur la PARTIE PIVOTANTE SAF-T. Attacher ensuite le coulisseau à son harnais AVANT de pivoter vers l'arrière pour remonter sur l'échelle. Le fait de pivoter vers l'arrière pour réintégrer l'échelle sans avoir attaché le coulisseau à votre harnais peut causer des blessures graves, voire mortelles.

10.0 UTILISATION D'ACCESSOIRES SPÉCIAUX

10.1 Partie pivotante SAF-T :

On doit éventuellement monter sur l'échelle ou en descendre à partir d'un balcon, d'une plate-forme de travail ou d'autres endroits lors d'une escalade. Ces emplacements doivent être équipés d'une PARTIE PIVOTANTE SAF-T installée sur le rail de sécurité.

AVERTISSEMENT

Avant de monter sur la PARTIE PIVOTANTE SAF-T d'une échelle ou d'en descendre, vérifier que la flèche du coulisseau est orientée vers le HAUT. Le non-respect de cette consigne peut entraîner des blessures graves, voire mortelles.

1. Placer manuellement la plaque supérieure, puis la plaque inférieure, dans la PARTIE PIVOTANTE SAF-T du rail dotée des butées de progression. Faire pivoter le coulisseau sur 90° puis le faire glisser, vers le haut, sur la section solide du rail, jusqu'au dé clic de verrouillage.
2. Placer le coulisseau au niveau de l'anneau en D ventral ou juste au-dessus ou en dessous de la PARTIE PIVOTANTE SAF-T (au-dessus si l'on monte à l'échelle, en dessous si on en descend). Raccorder le mousqueton à la partie centrale de l'ANNEAU D'ESCALADE SAF-T du HARNAIS D'ESCALADE CONFORTABLE SAF-T. On peut désormais continuer son escalade, comme il est décrit ci-dessus.
3. Si l'on doit sortir de l'échelle à partir d'une PARTIE PIVOTANTE SAF-T, commencer par pivoter jusqu'à ce que l'on aie pris pied de manière sûre. Déconnecter le coulisseau du HARNAIS D'ESCALADE CONFORTABLE SAF-T. Pour retirer le coulisseau du rail, le placer au niveau de la PARTIE PIVOTANTE SAF-T puis le faire pivoter sur 90° et le retirer.

10.2 Kit d'extension amovible :

Il se peut qu'un travailleur doive descendre dans un espace confiné, comme un trou d'accès. Pour ce type de descente, il doit être équipé d'un kit d'extension amovible. Chaque échelle équipée d'un tel kit sera aussi dotée d'un mandrin installé en permanence sur la partie supérieure du rail de sécurité.

1. Avant d'installer l'extension sur le mandrin lors d'une descente, vérifier que la flèche du COULISSEAU SAF-T-GRIP™ est orientée vers le HAUT puis faire glisser le coulisseau sur le rail d'extension amovible à partir du bas. Faire glisser le coulisseau jusqu'en haut de l'extension, le tourner de manière à ce qu'il repose sur une butée de progression et vérifier qu'il reste suspendu par lui-même.

AVERTISSEMENT

Si le coulisseau glisse, tout seul, jusqu'en bas du rail et lorsqu'on le laisse aller, IL N'EST PAS INSTALLÉ DANS LE BON SENS! Réinstaller le coulisseau de manière à ce que la flèche soit orientée vers le haut. Le non-respect de cette consigne peut entraîner des blessures graves, voire mortelles.

AVERTISSEMENT

La flèche du COULISSEAU Saf-T-Grip™ doit toujours être orientée vers le haut lorsqu'il est installé sur le rail de sécurité. Si le chariot n'est pas installé dans le bon sens (c'est-à-dire que la flèche est orientée vers le bas), il n'est pas verrouillé et n'arrêtera pas une chute, ce qui peut entraîner des blessures graves, voire mortelles.

2. Placer le rail d'extension sur le mandrin. Insérer la tige de fixation à travers le rail d'extension et la visser sur le haut du mandrin.
3. Une fois l'extension fermement fixée au rail de sécurité, raccorder le coulisseau au HARNAIS D'ESCALADE CONFORTABLE SAF-T comme il est décrit précédemment, et pivoter autour de l'extension et monter sur l'échelle.

11.0 ESCALADE DES PARTIES HORIZONTALES DU RAIL

11.1 Ascension :

Pour pouvoir passer sans problème à une partie horizontale du rail, le grimpeur doit avoir suivi une formation. La méthode de progression vers le haut de l'échelle est similaire à l'escalade d'une partie verticale du rail. Si, à quelque moment que ce soit, le coulisseau se bloque sur le rail, descendre et s'éloigner légèrement du rail pour le dégager, puis continuer sa progression.

11.2 Descente :

Lorsque le grimpeur redescend sur la partie horizontale du rail, il doit absolument rester parallèle au rail. Le grimpeur doit se pencher vers le rail et pousser le coulisseau vers le bas à l'aide du mousqueton. Si, à quelque moment que ce soit, le coulisseau se bloque sur le rail, remonter et se rapprocher légèrement du rail pour le dégager, puis continuer sa progression. L'utilisateur doit toujours être en contact avec l'échelle à trois points différents.

AVERTISSEMENT

L'utilisateur ou le responsable doit vérifier que tout utilisateur de tout système antichute a reçu une formation adéquate. Cette formation doit couvrir l'utilisation et l'entretien adéquats de l'équipement ainsi que ses restrictions, sa maintenance et son inspection. Elle doit aussi déterminer qui est responsable de sa supervision et de la formation à son utilisation. Enfin, elle doit couvrir toutes les procédures et s'assurer que l'utilisateur comprend bien l'équipement et les tâches à réaliser. Si l'utilisateur n'est pas convenablement formé et encadré, il peut subir des blessures graves, voire mortelles.

12.0 FRÉQUENCE DES INSPECTIONS

AVERTISSEMENT

Avant chaque utilisation : L'utilisateur doit inspecter le coulisseau en se conformant aux directives d'inspection ci-dessous.

Inspection officielle : au moins une fois par an le coulisseau doit être inspecté officiellement par un spécialiste (comme il est stipulé par l'OSHA). Cette inspection officielle peut être réalisée plus fréquemment, en fonction de la fréquence d'utilisation, de l'environnement ou de l'expérience de l'utilisateur. Le technicien doit établir un calendrier d'inspection officielle. L'inspection doit être réalisée conformément aux directives d'inspection ci-dessous. Si le coulisseau doit être réparé, contacter Honeywell Safety Products pour en savoir plus à ce sujet.

Après une chute : Le coulisseau doit être mis immédiatement hors service et remplacé par un nouveau. Le cas échéant, contacter Honeywell Safety Products pour en savoir plus sur un entretien éventuel.

LE NON RESPECT DES CONSIGNES PRÉCITÉES SUR UNE INSPECTION AVANT ET APRÈS UTILISATION, ET UNE INSPECTION APRÈS UNE CHUTE, PEUT ENTRAÎNER DES BLESSURES GRAVES, VOIRE MORTELLES.

12.1 Directives d'inspection du coulisseau SAF-T-GRIP™ :

- Vérifier que les deux ressorts de rappel situés sur les pieds latéraux fonctionnent correctement, et que le ressort rétablit le coulisseau en position verrouillée lorsque ce dernier est parallèle au sol.
- Vérifier que le coulisseau n'est pas fissuré, tordu, déformé ou trop usé.
- Vérifier que toutes les attaches sont fixées et ne sont pas corrodées.
- Vérifier que l'absorbeur d'énergie est doté de son couvercle transparent protecteur et qu'il est intact.
- Vérifier que l'absorbeur d'énergie n'a pas été déployé et qu'il n'est pas coupé, brûlé, endommagé par les rayons ultraviolets ou déformé. Vérifier que le piquage des coussinets est intact et n'est pas déchiré.

- Vérifier que l'écrou du mousqueton s'ouvre, se ferme et se verrouille correctement.
- Vérifier les ressorts des roues suspendues de la plaque supérieure. Vérifier que les ressorts entraînent les roues vers le rail.
- Vérifier que toutes les roues (roues de friction et roues palier) tournent sans problème.
- Vérifier que le verrou rotatif fonctionne et qu'il est propre.
- Vérifier que toutes les dents ou les surfaces de fixation ne sont pas trop usées
- Vérifier que le mousqueton n'a pas été déployé et qu'il est en un seul morceau

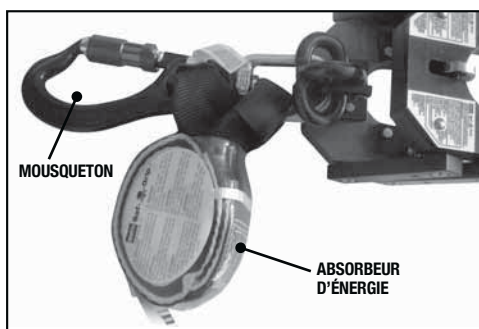


FIGURE 6

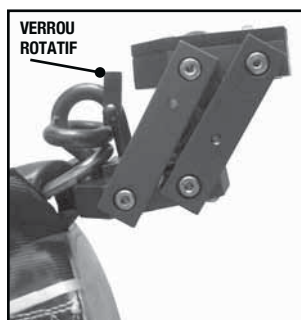


FIGURE 7

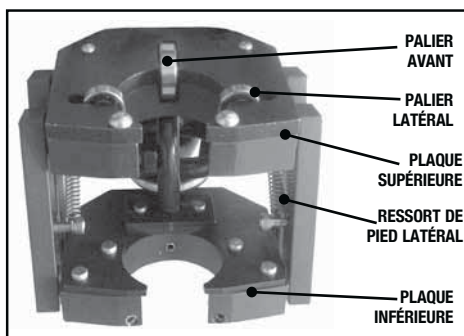


FIGURE 8

⚠ AVERTISSEMENT

Le non-respect des consignes d'inspection du COULISSEAU SAF-T-GRIP™ précitées peut entraîner des blessures graves, voire mortelles.

⚠ AVERTISSEMENT

Chaque année, toute la longueur du RAIL À BUTÉES DE PROGRESSION SAF-T doit être inspectée. Toutes les butées de progression du rail doivent absolument être orientées vers le haut (voir l'illustration). Le non-respect de cette consigne peut entraîner des blessures graves, voire mortelles.

13.0 INSPECTION DU RAIL DOTÉ DE BUTÉES DE PROGRESSION SAF-T

13.1 Rail doté de butées de progression SAF-T

SI LES BUTÉES DE PROGRESSION SONT MAL INSTALLÉES (ou remplies de corps étrangers) LE COULISSEAU SAF-T-GRIP™ NE SE VERROUILLERA ÉVENTUELLEMENT PAS DURANT UNE CHUTE.

1. Le rail doit être placé verticalement au centre des barreaux de l'échelle, pour que le grimpeur puisse positionner ses pieds de chaque côté. Des tiges d'alignement interne et des courroies de raccordement doivent être installés au niveau de chaque connecteur de rails.

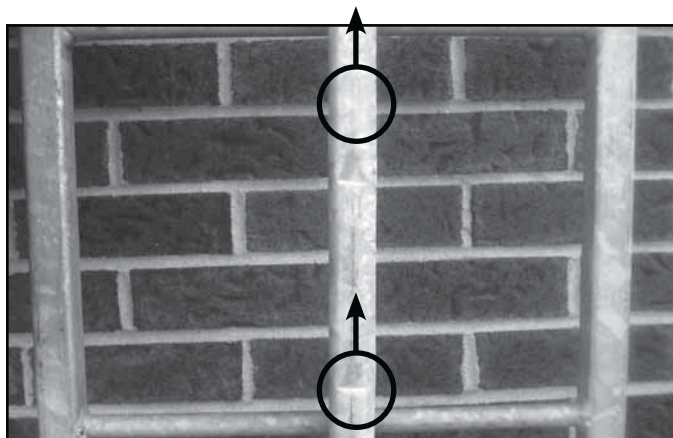


FIGURE 9 : BUTÉES DE PROGRESSION INSTALLÉES CORRECTEMENT (ORIENTÉES VERS LE HAUT)

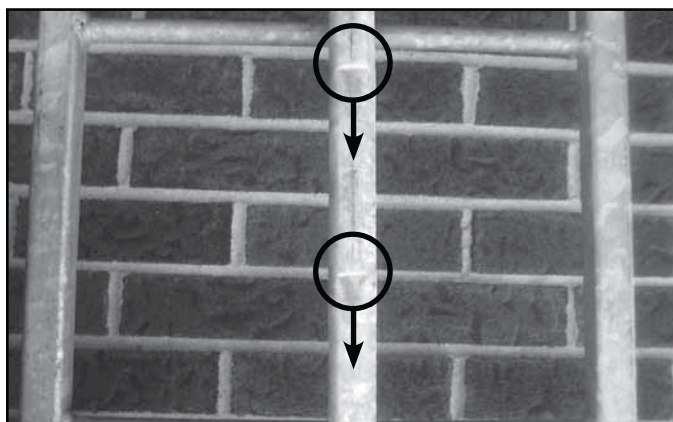


FIGURE 10 : BUTÉES DE PROGRESSION INSTALLÉES INCORRECTEMENT (ORIENTÉES VERS LE BAS)

2. Les butées de progression doivent être orientées vers le haut de l'échelle. Le coulisseau SAF-T-GRIP™ ne s'enclenchera pas et n'arrêtera pas la chute si les butées sont orientées dans la mauvaise direction (voir la figures 9 et 10).
3. Les butées ne doivent pas contenir de graisse, de peinture, de glace ou tout autre matériau qui empêcherait le verrouillage du cliquet d'arrêt.
4. Le rail entier, y compris le matériel de fixation, doit être inspecté au moins une fois par an. Vérifier que les joints reliant les sections de rail sont correctement ajustés les uns contre les autres et que toutes les courroies de raccordement sont présentes. Tous les écrous et les boulons desserrés doivent être resserrés. Le cas échéant, l'alignement du rail doit être modifié. Si le rail est endommagé, il doit être remplacé. Par « endommagé » nous entendons : bosses ou trous visibles; rail tordu ou déformé; butées de progressions cassées; goujons faussés.
5. Vérifier que le matériel est correctement installé (la figure 9 montre un rail galvanisé et la figure 10 des rails en aluminium et en acier inoxydable).

Si l'inspection détecte que l'équipement est défectueux ou dangereux, mettre le coulisseau hors service et contacter Honeywell Safety Products.

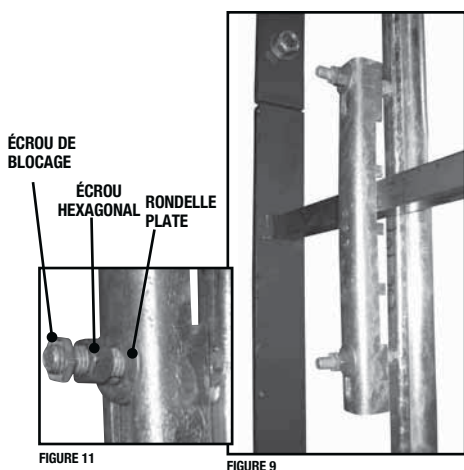


FIGURE 11

FIGURE 9

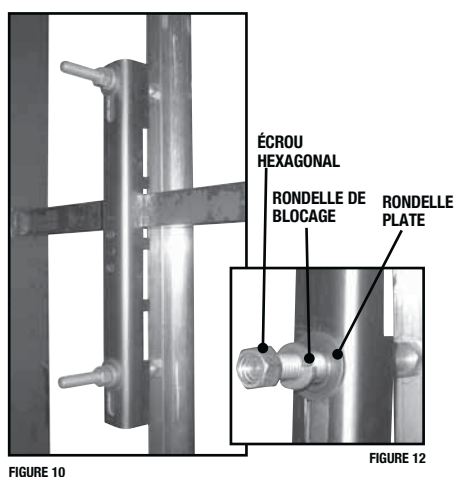


FIGURE 10

FIGURE 12

⚠ AVERTISSEMENT

Si le rail présente les défauts décrits ci-dessus, ne pas l'utiliser pas jusqu'à ce que le problème ait été corrigé. Toute section de rail en fonctionnement durant une chute ou un essai de chute doit être remplacée immédiatement par un rail neuf. Les contraintes subies par le rail dans ce type de situation peuvent le rendre dangereux lors d'une utilisation ultérieure. La longueur complète du rail doit être soigneusement inspectée afin de déterminer si la chute a desserré le matériel de fixation. Le non-respect de toute consigne ci-dessus, peut entraîner des blessures graves, voire mortelles.

14.0 MAINTENANCE ET ENTRETIEN

Toujours entreposer l'équipement dans un environnement sec et propre, sans produits corrosifs et vapeurs dangereuses, et à l'abri des rayons solaires.

14.1 Mousqueton SAF-T-GRIP™

AVERTISSEMENT

Nettoyage : Si le mousqueton est sale, le rincer avec de l'eau du robinet tiède et propre (température maximale 400 °C) mélangée à un détergent doux dilué de manière adéquate (gamme de pH 5,5 - 8,5). Laisser sécher à l'air libre, loin d'une source de chaleur directe. Un mauvais nettoyage du mousqueton peut entraîner sa défaillance, ainsi que des blessures graves, voire mortelles.

Lubrification : Ne lubrifier l'écrou de fermeture et le mécanisme de pivotement qu'avec un lubrifiant à base de silicone. Procéder à cette lubrification après le nettoyage de l'équipement. Vérifier que le lubrifiant n'entre pas en contact avec les sangles / bande du système auquel le connecteur est rattaché. Le non-respect de cette consigne peut entraîner des blessures graves, voire mortelles.

Le nettoyage et la lubrification du mécanisme de l'écrou de fermeture peuvent éventuellement rétablir son fonctionnement normal. Si ce n'est pas le cas, remplacer immédiatement le connecteur. Un écrou de fermeture défaillant peut nuire l'utilisation sûre de ce produit. Le nonrespect des consignes de sécurité ci-dessus peut entraîner des blessures graves, voire mortelles.

Désinfection : Désinfecter le mousqueton à l'aide d'un désinfectant contenant des composés d'ammonium quaternaire et de la chlorohexidine (par ex. du Savlon) en quantité suffisante pour être efficace. Faire tremper le produit pendant 1 heure dans un mélange de désinfectant dilué au taux recommandé par le fabricant pour une utilisation normale et d'eau propre ne dépassant pas les 200 °C, puis rincez soigneusement. Si les composants du produit ne sont pas correctement nettoyés et désinfectés, ils peuvent se détériorer, et risquent d'entraîner des blessures graves, voire mortelles.

Entreposage : Une fois les composants nettoyés, les entreposer, sans les emballer, dans un endroit chimiquement neutre, sombre, sec et frais, à l'abri de toute source de chaleur ou d'une chaleur excessive, d'une forte humidité, loin de tout bord coupant, de matières corrosives et d'autres causes possibles d'endommagement. Ne pas entreposer lorsque mouillé. L'entreposage de ce produit lorsqu'il est mouillé ou humide et/ou dans un environnement humide peut causer sa défaillance, et donc des blessures graves, voire mortelles.

Honeywell Safety Products recommande de nettoyer périodiquement cet équipement de sécurité. Ce nettoyage doit être réalisé en plus des inspections de vérification.



by Honeywell

Journal d'inspection du système antichute Saf-T-Climb®



Lire le manuel d'instructions avant chaque utilisation. Toutes les inspections doivent être réalisées par un technicien compétent, conformément aux directives de OSHA. L'échelle doit être inspectée conformément aux directives de OSHA, et des inspections annuelles doivent être réalisées si besoin est. Le non-respect de ces consignes peut entraîner des blessures graves, voire mortelles.

DATE DE L'INSPECTION: _____

DATE DE L'INSTALLATION: _____

ÉLÉMENTS DEVANT ÊTRE INSPECTÉS	INSPECTÉ PAR	RÉUSSI / ÉCHOUÉ	PROBLÈMES NOTÉS	ACTION CORRECTRICE	MAINTENANCE RÉALISÉE	DATE DE LA MAINTENANCE	REMARQUES :
Position du rail sur l'échelle							
Orientation des butées de progression sur le rail							
Cors étrangers dans les butées de progression*							
Alignement du rail au niveau des jonctures							
Ecrous et boulons desserrés							
Butées de progression ou rail endommagés							
Espacement entre les pinces d'échelle**							
Pinces d'échelle endommagées							
Gaïon de pince faussé*							
Contre-écrous sur gâions (pinces d'échelle galvanisées uniquement)							

* Consulter les manuels d'instructions pour obtenir des détails sur les procédures d'inspection (a. 56) ** Renvoie aux instructions d'installation du système antichute Saf-T-Climb (a. 1)



by Honeywell

Journal d'inspection du système antichute Saf-T-Climb®



Lire le manuel d'instructions avant chaque utilisation. Toutes les inspections doivent être réalisées par un technicien compétent conformément aux directives de l'OSHA; l'échelle doit être inspectée conformément aux directives de l'OSHA, et des inspections annuelles doivent être réalisées si besoin est. Le non-respect de ces consignes peut entraîner des blessures graves, voire mortelles.

DATE DE L'INSPECTION :

DATE DE L'INSTALLATION :

ÉLÉMENTS DEBANT ÊTRE INSPECTÉS	INSPECTÉ PAR	REUSSI / ÉCHOUÉ	PROBLÈMES NOTÉS	ACTION CORRECTRICE	MAINTENANCE RÉALISÉE	DATE DE LA MAINTENANCE	REMARQUES :
Plaque supérieure							
Plaque inférieure							
Ressorts de rappel							
Pieds latéraux							
Toutes les attaches (rivets, gouilles-ressort, vis)							
Amortisseur							
Mousqueton							
Tous les roulements (5)							
Ressorts de plaque supérieure							
Toutes les dents (4)							
Surfaces de retenue							
Ceinture de sécurité							



by Honeywell

Journal d'inspection du système antichute Saf-T-Climb®



Lire le manuel d'instructions avant chaque utilisation. Toutes les inspections doivent être réalisées par un technicien compétent, conformément aux directives de l'OSHA, l'acheteur doit être inspecté conformément aux directives de l'OSHA, et des inspections annuelles doivent être réalisées si besoin est. Le non-respect de ces consignes peut entraîner des blessures graves, voire mortelles.

DATE DE L'INSPECTION :

DATE DE L'INSTALLATION :

MONTAGE SAF-T (LE CAS ÉCHÉANT)	INSPECTÉ PAR	RÉUSSI / ÉCHOUÉ	PROBLÈMES NOTÉS	ACTION CORRECTRICE	MAINTENANCE RÉALISÉE	DATE DE LA MAINTENANCE	REMARQUES :
Vérifier si la pièce collée est fissurée ou endommagée							
Le rail est aligné avec le dispositif Saf-T							
La bulbe de progression n'est ni endommagée ni déformée							
PARTIE PIVOTANTE	INSPECTÉ PAR	RÉUSSI / ÉCHOUÉ	PROBLÈMES NOTÉS	ACTION CORRECTRICE	MAINTENANCE RÉALISÉE	DATE DE LA MAINTENANCE	REMARQUES :
Alignement du rail au niveau des pinules							
Bulbes de progression ou rail endommagés*							
Les pinces d'échelon sont correctement installées**							
Les gonflables à débrayement rapide fonctionnent correctement							
EXTENSION AMOVIBLE	INSPECTÉ PAR	RÉUSSI / ÉCHOUÉ	PROBLÈMES NOTÉS	ACTION CORRECTRICE	MAINTENANCE RÉALISÉE	DATE DE LA MAINTENANCE	REMARQUES :
Alignement du rail au niveau des pinules*							
Bulbes de progression ou rail endommagés							
Les pinces d'échelon sont correctement installées**							
Les gonflables à débrayement rapide fonctionnent correctement							
Le guide d'alignement et le manchon sont pas endommagés							
La type de fixation fonctionne							

* Consulter les manuels d'instructions pour obtenir des détails sur les procédures d'inspection (p. 57)

** Renvoie aux instructions d'installation du système antichute Saf-T Climb (p. 1)

16.0 DIVERSES PRATIQUES D'ESCALADE SÉCURITAIRES

▲ AVERTISSEMENT

1. Signaler immédiatement tout matériel desserré.
2. Ne jamais essayer de simuler ou de faire la démonstration d'une chute avec un être humain.
3. Les harnais, longes ou coulisseaux en fonctionnement durant une chute ou un essai de chute doivent être immédiatement mis hors service de manière permanente.
4. Toute section d'un RAIL DOTÉ DE BUTÉES DE PROGRESSION SAF-T installé durant une chute doit être considérée comme dangereuse et immédiatement remplacée, qu'elle paraisse ou non endommagée. Les autres sections du rail et le matériel de fixation doivent elles aussi être inspectées.
5. Des tests de chute et de remontée NE doivent JAMAIS être réalisés avec l'équipement réellement utilisé par les grimpeurs. Ces tests sont destructeurs et le stress encouru dans ces conditions rendra l'utilisation ultérieure de l'équipement dangereuse. L'équipement SAF-T-CLIMB® est homologué par le CSA et respecte ou dépasse les normes de l'ANSI et de l'OSHA régissant les équipements antichute. Cependant, si les tests réalisés en usine ne vous suffisent pas et que vous désirez réaliser des tests supplémentaires, veuillez nous contacter. Nous pouvons tester l'équipement en fonction de vos spécifications. Toute partie du système utilisé lors d'un essai de chute doit être immédiatement mise hors service de manière permanente.
6. Tout équipement de sécurité ne devant pas être installé de manière permanente doit être entreposé dans un endroit frais et sec à l'abri des rayons solaires. À long terme, la lumière solaire et la chaleur endommageront les harnais et les longes.

Le non-respect de toute consigne précitée peut entraîner des blessures graves, voire mortelles.

▲ AVERTISSEMENT

La flèche du coulisseau Saf-T-Grip™ doit toujours être orientée vers le HAUT lorsqu'il est installé sur le rail de sécurité. Si le coulisseau n'est pas installé dans le bon sens (c'est-à-dire que la flèche est orientée vers le bas), le cliquet d'arrêt n'est pas verrouillé et n'arrêtera pas une chute, ce qui peut entraîner des blessures graves, voire mortelles.

17.0 GARANTIE

LES SYSTÈMES ANTICHUTE SAF-T-CLIMB® SONT GARANTIS CONTRE TOUT DÉFAUT MATÉRIEL ET DE FABRICATION PAR HONEYWELL SAFETY PRODUCTS LA SEULE OBLIGATION DE HONEYWELL SAFETY PRODUCTS AU TITRE DE CETTE GARANTIE EST DE RÉPARER OU DE REMPLACER LES COMPOSANTS JUGÉS DÉFECTUEUX PAR HONEYWELL SAFETY PRODUCTS, OU DE REMBOURSER LEUR PRIX D'ACHAT, SELON LE CHOIX DE HONEYWELL SAFETY PRODUCTS. LE COMPOSANT DOIT ÊTRE RENVOYÉ À HONEYWELL SAFETY PRODUCTS (26 DANSK COURT, TORONTO, ONTARIO, M9W 5V8) TOUS FRAIS PAYÉS. L'ACHETEUR EST RESPONSABLE DE L'INSTALLATION, DE L'ENTRETIEN ET DU FONCTIONNEMENT ADÉQUAT DU SYSTÈME, DE LA COMPATIBILITÉ ET DE LA FIABILITÉ DE TOUS LES COMPOSANTS QUI N'ONT PAS ÉTÉ FABRIQUÉS OU FOURNIS PAR NORTH ET DE TOUS LES AUTRES RISQUES ÉVENTUELS, TELS LES RISQUES DE DOMMAGES DIRECTS, INDIRECTS OU CONSÉCUTIFS DÉCOULANT DE L'UTILISATION DE, OU DE L'INCAPACITÉ À UTILISER LE SYSTÈME OU SES COMPOSANTS. CETTE GARANTIE REMPLACE TOUTE GARANTIE IMPLICITE DE COMMERCIALISATION ET D'ADAPTATION À UN USAGE PARTICULIER AINSI QUE TOUTES LES AUTRES GARANTIES, EXPRESSES OU IMPLICITES, ET NE PEUT ÊTRE MODIFIÉE OU ÉTENDUE QUE PAR ÉCRIT, PAR UN RESPONSABLE AUTORISÉ DE HONEYWELL SAFETY PRODUCTS.



by Honeywell

ESPAÑOL ÍNDICE

PAGINA

1.0 INTRODUCCION	51
1.1 Información importante	51
1.1.1 Terminología	52
1.1.2 Advertencias generales	52
2.0 Instrucciones e informacion para el usuario	52
2.1 Programa de proteccion contra caidas	53
2.1.1 Analisis de riesgos	53
2.1.2 Prevencion frente a proteccion	53
2.1.3 Procedimientos	53
Tabla 1 reglamentos y normas	54
3.0 Partes del sistema SAF-T-CLIMB®	55
3.1 Proposito	55
3.2 Restricciones	56
4.0 Requisitos del sistema	56
4.1 Compatibilidad de elementos y subsistemas	56
5.0 Mosqueton SAF-T-GRIP™	57
6.0 Funcionamiento y uso	59
7.0 Prueba preliminar	59
8.0 Conexion del deslizador al arnes de torso	60
9.0 Como ascender por el sistema de riel	60
9.1 Ascender	
(Subir hacia la parte superior del sistema de riel)	61
9.2 Descender	
(Alejarse de la parte superior del sistema de riel)	61
9.3 Disengaging from the system	
10.0 Uso de accesorios especiales	62
10.1 SAF-T-Mount	62
10.2 Equipo de extension desmontable	63
11.0 Como ascender por secciones de riel horizontales	63
11.1 Ascenso	63
11.2 Descending	64
12.0 Frecuencia de la inspeccion	64
12.1 Directrices de inspeccion del deslizador SAF-T-GRIP™	64
13.0 Inspeccion del riel SAF-T-NOTCH	66
13.1 Riel SAF-T-NOTCH	66
14.0 Mantenimiento y cuidado	67
14.1 Mosqueton SAF-T-GRIP™	67
14.2 Amortiguador de energia SAF-T-GRIP™	69
15.0 Etiquetas SAF-T-GRIP™	69
Registro de inspeccion y mantenimiento (riel)	70
Registro de inspeccion y mantenimiento (deslizador)	71
Registro de inspeccion y mantenimiento (dispositivos de desmontaje)	72
16.0 Normas varias de ascenso seguro	73
17.0 Garantia	73

Technical Service Numbers Nombres service technique Números Servicio Técnico

North and South America
Du Nord et Amérique du Sud
América del Norte y América
del Sur
1-800-873-5242

Europe
Europe / Europa
+31 (0)118 656400

DEFINICIONES Y EQUIVALENCIAS

Newton (N): Unidad de fuerza que, aplicada a un kilogramo de masa, experimentaría una aceleración de un metro por segundo por segundo.

Kilonewton (kN): 1,000 Newtons

Kilogramo (kg): 1 kg = 2,205 libras

1.0 INTRODUCTION

Honeywell Safety Products es un líder reconocido en la industria de equipos de protección personal (Personal Protective Equipment, PPE) y con orgullo fabrica y vende los productos de seguridad Miller. El propósito de este manual es proporcionarle instrucciones básicas para la selección, uso y cuidado del equipo de protección contra caídas Miller. Si duda de que este equipo sea el adecuado para el trabajo que va a realizar, consulte con su supervisor o director de seguridad.

Si necesita más información o asesoramiento acerca de la selección, uso, inspección o mantenimiento de cualquier equipo de protección contra caídas Miller, póngase en contacto con Servicio al Cliente de Honeywell Safety Products por el 1-888-212-SAFE (7233).

El Sistema de Prevención de Caídas para Escaleras SAF-T-CLIMB® es uno de los medios más efectivos de evitar caídas que ofrece actualmente el mercado. Honeywell Safety Products fabrica un producto de calidad del que pueden fiarse usted y sus escaladores. Este manual le servirá de guía para el uso y cuidado adecuado del equipo SAF-T-CLIMB®.

1.1 INFORMACIÓN IMPORTANTE

ADVERTENCIA:

Tenga presente que, para ofrecer el nivel de protección necesario, cada elemento debe ser compatible con el resto de elementos que componen el sistema de protección contra caídas. Es necesario leer cuidadosamente este manual y comprender íntegramente su contenido antes de usar este sistema de protección contra caídas. Si no se comprende a cabalidad el contenido de este manual, se pueden sufrir lesiones graves o mortales. Igualmente necesario es inspeccionar íntegra y correctamente los elementos que componen estos dispositivos de protección contra caídas. Si no se inspeccionan íntegra y correctamente los elementos que componen este sistema de protección contra caídas, se puede sufrir lesiones personales graves o mortales. No obstante, ningún manual puede reemplazar los programas de capacitación formal en el ascenso de escaleras. Antes de utilizar los elementos de este sistema de protección contra caídas, es fundamental seguir un programa de capacitación formal en el ascenso de escaleras. Si no se sigue algún programa de este tipo, se puede sufrir lesiones graves o mortales.

Una vez instalado e inspeccionado correctamente el sistema, depende de cada escalador verificar que su equipo se encuentre en perfecto estado ANTES de utilizarlo. Tanto la norma OSHA 1926.951 como la norma ANSI 10.14-1991 recomiendan inspeccionar el equipo cada vez que vaya a usarse. Tenga siempre a mano este manual en el espacio de almacenamiento correspondiente al DESLIZADOR SAF-T-GRIP™ y al ARNES COMFORT FIT SAF-T-CLIMB.

En cada ascenso, debe colocarse una etiqueta laminada de color blanco en la parte inferior de la escalera a la altura de los ojos. Siempre que resulte práctico, debe colocarse también etiquetas en otros puntos de acceso a lo largo del ascenso. Esta etiqueta le advierte al escalador que se ha instalado un sistema de prevención de caídas en la escalera y que debe usar un deslizador y un arnés conjuntamente con este sistema para evitar caídas. Debe señalar la ubicación donde se guardan los deslizadores y los arneses, si no se le han proporcionado a cada individuo. La etiqueta le indica al escalador la orientación correcta y segura en que debe usar el deslizador y le recuerda seguir los procedimientos de ascenso seguro en todo momento.

Antes de que los escaladores principiantes empiecen a ascender por escaleras, deben capacitarse exactamente en los procedimientos de ascenso seguro y el uso del SISTEMA SAF-T-CLIMB®. Incluso los escaladores expertos deben seguir programas regulares de capacitación en los procedimientos de ascenso seguro.

Para mantener el equipo en condición de ofrecerles seguridad a todos los escaladores, es necesario inspeccionar frecuentemente las partes esenciales del sistema e inspeccionar anualmente el riel en toda su longitud. Los escaladores deben proponerse seguir procedimientos adecuados y seguros de modo que se conviertan en hábito y se produzcan de forma automática cuando asciendan por escaleras.

1.1.1 Terminología

Los avisos, notas de precaución y advertencias utilizadas en este manual tienen el siguiente significado:

ADVERTENCIA

Procedimientos y técnicas que, si no se siguen cuidadosamente pueden exponer al usuario a riesgo de lesiones graves o de muerte.

PRECAUCIÓN

Procedimientos y técnicas que si no se siguen cuidadosamente pueden deteriorar el equipo.

NOTA

Procedimientos y técnicas que se consideran de suficiente importancia como para destacarlos.

⚠ ADVERTENCIA

1.1.2 Advertencias Generales

1. Antes de usar el equipo, lea estas instrucciones con detenimiento y en su totalidad. Debe comprenderlas y seguirlas para beneficiarse adecuadamente de la protección contra caídas que ofrece el equipo. **SI NO SE ACATAN LAS RESTRICCIONES, PRECAUCIONES Y ADVERTENCIAS CONTENIDAS EN ESTAS INSTRUCCIONES, SE REDUCE EL NIVEL DE PROTECCION Y SE CORRE EL RIESGO DE SUFRIR UNA CAIDA, QUE PODRIA OCASIONAR LESIONES GRAVES, INCAPACITANTES O MORTALES.**

2. Todo aquel que use equipos de protección contra caídas debe estar en buen estado físico, no tener historia médica de enfermedades que puedan agravarse como consecuencia de una caída, ser mentalmente apto y no estar bajo los efectos del alcohol ni las drogas. Desatender estos factores puede dar lugar a caídas que ocasionen lesiones graves o mortales.

2.0 INSTRUCCIONES E INFORMACION PARA EL USUARIO

2.1 Programa De Proteccion Contra Caidas

Honeywell Safety Products considera que, si existen factores de riesgo, sólo se puede estar constantemente protegido contra caídas respetando fielmente un compromiso de colaboración entre la gerencia y los empleados. Para alcanzar este objetivo, es necesario redactar y aplicar con firmeza un manual de políticas correspondientes. Consulte el plan de protección contra caídas sugerido por el Reglamento OSHA 1926, Subparte M, Apéndice C: directrices optativas de cumplimiento de la norma 1926.502(d). El manual de políticas debe tomar en cuenta los siguientes aspectos:

2.1.1 Analisis De Riesgos

- Tanto visibles como ocultos
- Comprender los requisitos del trabajo
- Cualquier obstáculo, ya sea que se encuentre arriba o abajo
- Cualquier máquina móvil

2.1.2 Prevencion Frente a Proteccion

- Identificar las características específicas de la tarea
- ¿Puede eliminarse el riesgo?
- ¿Es necesario llevar equipo de protección personal?
 - Cuál es la altura de caída?
 - Cuánto pesa el trabajador?
 - En caso de caer, ¿de qué magnitud sería la fuerza aplicada al cuerpo?
 - ¿Existe el riesgo de sufrir una caída pendular?

2.1.3 Procedimientos

Debe redactarse de tal manera que se traten todos los riesgos y se tomen en cuenta los siguientes factores:

- Selección del equipo aprobado correspondiente
- Instrucciones para usar correctamente
- Compatibilidad de los elementos del sistema
- Capacitación de usuarios
- Rescate
- Inspección de equipos
- Amarre
- Cabo salvavidas vertical
- Ganchos de seguridad
- Caída libre
- Alargamiento y desaceleración
- Obstáculos
- Quién tendrá autorización de utilizar el equipo de protección contra caídas
- Revisión de todos los reglamentos y normas oficiales pertinentes (véase la tabla 1)
Cuidado y almacenamiento adecuados

▲ ADVERTENCIA

No trate de reparar equipo averiado. Descontinúe inmediata y permanentemente su uso.
Usar equipo averiado puede dar lugar a lesiones graves o mortales.

▲ ADVERTENCIA

No use detergentes con base de solvente ni le aplique pintura o marcadores solubles a la unidad para distinguirla. Los disolventes pueden reaccionar químicamente y deteriorar la banda o los demás elementos que componen el sistema Saf-T-Climb.® Aplicarles disolventes o pintura a los elementos del sistema de protección contra caídas puede dar lugar a lesiones graves o mortales.

TABLA 1 REGLAMENTOS Y NORMAS

El equipo de protección contra caídas (también denominado equipo de detención de caídas) se rige por leyes, reglamentos, normas y recomendaciones promulgados por diversos organismos nacionales e internacionales. En Canadá y Estados Unidos, las normas y reglamentos pertinentes son:

CSA: ASOCIACION CANADIENSE DE NORMALIZACION

Cinturones de seguridad y arneses para posicionamiento y restricción del desplazamiento	CSAZ259.1-05
Dispositivos de detención de caídas y cabos salvavidas verticales	CSAZ259.2.1-98
Dispositivos retráctiles automáticos para sistemas personales de detención de caídas	CSAZ259.2.2-98
Dispositivos de control de descenso	CSAZ259.2.3-99
Arneses de torso	CSAZ259.10-06
Amortiguadores de impacto para sistemas personales de detención de caídas	CSAZ259.11-05
Conexión de los elementos de los sistemas personales de detención de caídas (SPDC)	CSAZ259.12-01
Cabos salvavidas horizontales flexibles	CSAZ259.13-04
Equipo de restricción de caídas para ascenso por postes de madera	CSAZ259.14-01
Diseño de sistemas activos de protección contra caídas	CSAZ259.16-03

OSHA: AGENCIA PARA LA SEGURIDAD Y LA SALUD EN EL TRABAJO

REGLAMENTO CONTENIDO EN EL TITULO 29 DEL CODIGO DE REGLAMENTOS FEDERALES (29

CFR) NORMAS DE SEGURIDAD Y SALUD EN EL TRABAJO PARA LA INDUSTRIA EN GENERAL

Subpart F

- Mantenimiento de plataformas motorizadas y edificaciones 1910.66

Subpart J

- Espacio cerrado de acceso regulado 1910.146

Subpart R, Industrias especiales

- Operaciones agrícolas 1910.267
- Telecomunicaciones 1910.268
- Generación, transmisión y distribución de energía eléctrica 1910.269

NORMAS DE SEGURIDAD Y SALUD EN EL TRABAJO PARA LA INDUSTRIA DE LA CONSTRUCCION

Subpart E, Equipo de protección personal

- Cinturones de seguridad, cabos salvavidas y cuerdas 1926.104
- Redes de seguridad 1926.105

Subpart L, Andamiaje

- Sillas de contramaestre 1926.451 (1)

Subpart M, Protección contra caídas

- Alcance, aplicaciones y definiciones 1926.500
- Obligación de tener protección contra caídas 1926.501
- Criterios y procedimientos relacionados con los sistemas de protección contra caídas 1926.502
- Requisitos de capacitación 1926.503

Subpart R, Estructuras de acero

- Protección contra caídas 1926.760

NORMAS DE SEGURIDAD Y SALUD EN EL TRABAJO PARA ESTACIONES MARITIMAS Y ACTIVIDADES PORTUARIAS

- Estaciones marítimas 1917
- Actividades portuarias 1918

ANSI: INSTITUTO NACIONAL ESTADOUNIDENSE DE NORMALIZACION

OPERACIONES DE CONSTRUCCION Y DEMOLICION

- Requisitos para cinturones de seguridad, arneses, cuerdas y cabos salvavidas A10.14 – 1991
- Escaleras (fijas): Requisitos de seguridad A14.3 – 2002
- Requisitos de seguridad para espacios cerrados Z117 - 1994
- Requisitos de seguridad para sistemas personales de detención de caídas, Subsistemas y elementos Z359.0 / Z359.1 / Z359.2 Z359.3 / Z359.4 - 2007

3.0 LOS SISTEMAS SAF-T-CLIMB® CONSTAN DE LAS SIGUIENTES PARTES:

- RIEL TRANSPORTADOR SAF-T-NOTCH Y LA TORNILLERÍA CORRESPONDIENTE
- DESLIZADOR SAF-T-GRIP™ (parte n.º 602-100-003)
- ARNES COMFORT FIT SAF-T-CLIMB (parte n.º 730-201-001 o n.º 733-201-001)
- Dispositivos de desmontaje
- Cualquier otro accesorio SAF-T-CLIMB® que sea necesario

⚠ ADVERTENCIA

Con los sistemas de riel transportador SAF-T-CLIMB®, use sólo partes SAF-T-CLIMB® originales, fabricadas por Honeywell Safety Products. Quizá las partes que componen otros sistemas de prevención de caídas no sean intercambiables o compatibles con los sistemas de prevención de caídas para escalera y, por tanto, no es posible confiar en que puedan funcionar conjuntamente para detener la caída, a menos que se hayan probado y se haya demostrado su compatibilidad. Usar con el sistema de protección contra caídas partes que no sean SAF-T-CLIMB® originales puede dar lugar a lesiones graves o mortales.

3.1 Propósito

El propósito del deslizador SAF-T-GRIP™ (parte n.º 602-100-003) es impedir que el escalador se caiga mientras asciende a otras alturas. Este deslizador ha sido diseñado para uso exclusivo del personal, no para el transporte de materiales.

⚠ ADVERTENCIA

Use este producto sólo de acuerdo con su diseño. Usar este deslizador para transportar materiales se considera una aplicación no autorizada del producto y puede dar lugar a lesiones graves o mortales.

⚠ ADVERTENCIA

Es responsabilidad del usuario final o instalador verificar que la escalera cumpla con todos los reglamentos y normas municipales, regionales y nacionales que sean pertinentes. Si el usuario final o instalador no verifica la conformidad de la escalera con todos los reglamentos y normas pertinentes, pueden producirse lesiones graves o mortales.

3.2 RESTRICCIONES

- El deslizador Saf-T-Grip™ (parte n.º 602-100-003) debe usarse sólo con el riel rígido de North Safety Products Ltd. modelo n.º 526-10X-00X.
- Este deslizador Saf-T-Grip™ no puede usarse con ningún otro sistema de riel rígido.
- El deslizador debe conectarse directamente a la argolla en D del ombligo de un arnés de cuerpo entero Miller aprobado (parte n.º 733-201-001).

ADVERTENCIA

No se valga de ninguna otra articulación para separar aun más el deslizador y la argolla en D del arnés. Usar cualquier otra articulación para separar aun más el deslizador y la argolla en D puede dar lugar a lesiones graves o mortales.

ADVERTENCIA

Las normas CSA Z259.2.1-98, ANSI A14.3 y OSHA 1926.1053 dictan que la longitud máxima de la conexión entre el riel rígido y el punto de unión no debe sobrepasar los 23 cm. Si la conexión entre el riel rígido y el punto de unión sobrepasa los 23 cm, pueden producirse lesiones graves o mortales.

4.0 REQUISITOS DEL SISTEMA

4.1 Compatibilidad de elementos y subsistemas

Honeywell Safety Products ha diseñado el deslizador SAF-T-GRIP™ (parte n.º 602-100-003) de modo que sea compatible sólo con el riel rígido de Honeywell Safety Products (parte n.º 526-10X-00X). Ya que todo reemplazo o intercambio de elementos puede poner en riesgo la compatibilidad del sistema, puede consecuentemente dar lugar a lesiones graves o mortales. Sírvase ponerse en contacto con Honeywell Safety Products si tiene alguna duda acerca de la compatibilidad del equipo.

ADVERTENCIA

No intercambie partes del arnés de torso con otras de diferentes fabricantes. Honeywell Safety Products recomienda usar sólo el arnés SAF-T-CLIMB (parte n.º 733-201-00X) con el deslizador SAF-T-GRIP. Usar cualquier otra parte distinta a los productos Honeywell Safety Products recomendados en la ADVERTENCIA anterior puede dar lugar a lesiones graves o mortales.

5.0 MOSQUETON SAF-T-GRIP™

⚠ ADVERTENCIA

ES NECESARIO LEER Y COMPRENDER TODAS LAS INSTRUCCIONES Y ADVERTENCIAS SIGUIENTES; DE NO SER ASI, PUEDEN PRODUCIRSE LESIONES PERSONALES GRAVES O MORTALES.

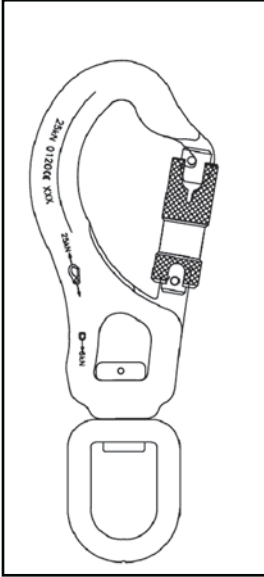


FIGURA 1



FIGURA 2

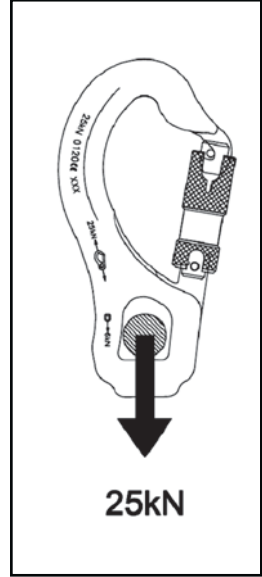


FIGURA 3

⚠ ADVERTENCIA

Es esencial conocer las características de este producto. Si tiene alguna duda sobre el uso de este producto o las restricciones de su diseño, **NO LO USE** hasta que haya aprendido exactamente cómo usarlo. No saber íntegra y exactamente cómo usar este producto puede dar lugar a lesiones personales graves o mortales.

Debe seguir las instrucciones de los demás elementos que se usan en conjunto con este conector. El incumplimiento de todas las instrucciones y advertencias correspondientes al producto y a los demás productos que se usan en conjunto con este producto puede dar lugar a lesiones personales graves o mortales.

Si alguna vez duda de que este producto esté en condiciones plenas de funcionamiento y seguridad, **NO USE ESTE PRODUCTO** hasta que reciba de la persona competente correspondiente su juicio sobre el estado del producto. No determinar la plena funcionalidad y seguridad del producto puede dar lugar a lesiones personales graves o mortales.

Este conector está diseñado para una aplicación específica de protección contra caídas y **NO DEBE** usarse como reemplazo en ninguna otra aplicación general de detención de caídas. Usar este dispositivo en cualquier otra forma contraria a las instrucciones del fabricante puede dar lugar a lesiones personales graves o mortales.

⚠ ADVERTENCIA

Este conector no debe usarse para ningún otro fin distinto al de su diseño. No le haga ninguna modificación a este producto. Hacerle modificaciones a este producto o utilizarlo para cualquier otro fin que no sea aquel para el cual fue diseñado puede dar lugar a lesiones personales graves o mortales.

La capacidad de carga máxima de la clavija giratoria de acero (color dorado) es de 6 kN (611 kg; 1368 lb). La clavija giratoria está diseñada para desconectarse a esta magnitud de carga; una vez desconectada la clavija giratoria, el conector está de más.

⚠ ADVERTENCIA

Si se desconecta la clavija giratoria, no puede usarse de nuevo. Usar la clavija giratoria luego de haberse desconectado del mosquetón puede dar lugar a lesiones personales graves o mortales.

En ningún momento debe usarse la clavija giratoria como conector principal de detención de caída; la clavija giratoria de acero está diseñada para desconectarse a 6 kN. Usar la clavija giratoria como conector principal de detención de caída puede dar lugar a lesiones personales graves o mortales.

El ojillo de (aleación de) aluminio al cual se fija la clavija giratoria (color negra) es la parte principal de apoyo de la carga de este conector. Cuando se carga a lo largo del eje principal de la parte posterior del conector con la abertura completamente cerrada y trabada, el ojillo de aluminio puede sostener una carga mínima de 25 kN (2548 kg; 5708 lb) y está diseñado para funcionar como conector principal de detención de caída (véase la FIG. 3).

⚠ ADVERTENCIA

Si tiene alguna duda, consulte con alguien capacitado y competente que puede ayudarle a usar este producto y todos los productos de protección contra caídas ¡correctamente! Recuerde: no saber exactamente cómo usar los productos de protección contra caídas puede dar lugar a lesiones graves o mortales.

Siempre, inmediatamente antes de usar, inspeccione visual y funcionalmente este conector para verificar que esté en buen estado y que funcione correctamente. Cuando se suelta, la abertura debe cerrarse y trabarse automáticamente (sistema de abertura de cierre automático) sin vacilación (véase Mantenimiento y Servicio). Honeywell Safety Products recomienda que alguien capacitado y competente realice siempre una inspección minuciosa antes y después de usar. Esta inspección debe registrarse en el formulario de inspección provisto como se ha indicado. No inspeccionar visual y funcionalmente el conector para verificar que funcione correctamente antes de usar puede dar lugar a lesiones personales graves o mortales.

Este conector no está diseñado para usarse en todo tipo de condiciones climáticas. Las condiciones como, por ejemplo, escarcha y hielo, pueden afectar su funcionalidad. Antes de usar este producto, verifique con su supervisor de seguridad si las condiciones climáticas pueden afectar el uso correcto y seguro del producto. No tomar en cuenta las condiciones climáticas antes de usar y mientras se usa este producto puede dar lugar a lesiones personales graves o mortales.

⚠ ADVERTENCIA

Si se ha usado este conector para detener una caída, debe discontinuarse su uso y destruirse, aun si permanece intacta la clavija giratoria de acero. No discontinuar el uso de este conector luego de haberse usado para detener una caída puede dar lugar a lesiones personales graves o mortales.

No permita que este producto haga contacto con sustancias químicas ni ningún otro tipo de agente corrosivo. Las sustancias químicas y demás agentes corrosivos pueden deteriorar la banda de este producto y reducir así su resistencia, lo cual puede, a su vez, hacer que fallen las partes del producto y se produzcan lesiones graves o mortales.

Nunca use el deslizador en un riel sin ranura que esté instalado en posición vertical. Es posible que el deslizador no se sujete del riel sin ranura ni detenga la caída, lo cual podría dar lugar a lesiones o la muerte.

1. **NUNCA ASCIENDA NI DESCienda ESCALERAS SOLO.** Siempre debe tener algún compañero a una distancia desde la que pueda verle y escucharle. Su compañero debe tener a la mano sus propios DESLIZADOR SAF-T-GRIP™ y ARNES COMFORT FIT SAF-T-CLIMB de modo que pueda ponérselos de inmediato en caso de que fuera necesario rescatarle.
2. Por si acaso fuera necesario DESCENDER POR UN AGUJERO EN EL SUELO hacia un espacio cerrado o intentar rescatar al escalador desde un punto más elevado, el ARNES COMFORT FIT SAF-T-CLIMB cuenta con argollas en las correas de los hombros para facilitar el rescate.

EL INCUMPLIMIENTO DE ESTAS INSTRUCCIONES, QUE DICTAN NUNCA ASCENDER NI DESCENDER SOLO Y SIEMPRE TOMAR PRECAUCIONES CUANDO SE DESCENDE POR AGUJEROS EN EL SUELO HACIA ESPACIOS CERRADOS, PUEDE DAR LUGAR A LESIONES GRAVES O MORTALES.

6.0 FUNCIONAMIENTO Y USO

Siempre que resulta práctico, se suele conectar primero el deslizador al anillo en D del ombligo del arnés de cuerpo entero. El segundo paso es conectar el deslizador al sistema de escalera.

7.0 PRUEBA PRELIMINAR

1. El ARNES COMFORT FIT SAF-T-CLIMB junto con el ANILLO SAF-T-CLIMB deben fijarse ajustadamente alrededor de la cintura, **NO ALREDEDOR DE LAS CADERAS NI LA PELVIS.**

⚠ ADVERTENCIA

Fijar el arnés alrededor de las caderas o la pelvis es incorrecto; puede quedar flojo y dar lugar a lesiones graves o mortales.

⚠ ADVERTENCIA

Abróchese firmemente todas las hebillas. No perforo ni recorte agujeros adicionales en las correas del arnés. Si no se ajusta correctamente, reemplácelo con uno que sí lo haga. Si el arnés no queda ajustado de forma correcta y segura, pueden producirse lesiones graves o mortales.

2. Verifique que el deslizador SAF-T-GRIP™ apunte hacia ARRIBA y, entonces, deslícelo sobre el riel, fijándolo entre las dos ranuras. Déjelo colgar. Verifique que el DESLIZADOR SAF-T-GRIP™ funcione correctamente.

⚠ ADVERTENCIA

Si el deslizador se desliza por sí solo hasta la parte inferior del riel cuando usted lo suelta, ¡ESTA AL REVES! Vuelva a instalar el deslizador con la flecha hacia arriba. No volver a instalar el deslizador puede dar lugar a lesiones graves o mortales.

3. Tome el deslizador por el mosquetón y tire hacia abajo. El deslizador hará contacto con el riel y se fijará a él. El deslizador debe caer en la primera ranura y quedar trabado en su lugar. Entonces, tire del mosquetón para separar del riel a un ángulo de 90° y verifique que el deslizador suba y baje sin problema.

⚠ ADVERTENCIA

El deslizador Saf-T-Grip™ debe instalarse siempre en el riel transportador con la flecha hacia arriba. Si el deslizador se instala en el riel al revés (con la flecha hacia abajo), posiblemente no se trabará ni pueda detener una caída, lo cual daría lugar a lesiones graves o mortales.

8.0 CONEXION DEL DESLIZADOR AL ARNES DE CUERPO ENTERO

⚠ ADVERTENCIA

Conecte el deslizador al arnés de cuerpo entero North diseñado para ascender por escaleras mediante el sistema Saf-T-Climb®. Al conectar el deslizador al arnés, verifique que el conector sea compatible en tamaño, forma y resistencia. No reemplace con otros conectores. No use otros dispositivos de conexión como, por ejemplo, cuerdas cortas, cadenas, articulaciones u horquillas. Siempre que sea posible, el deslizador y el arnés de cuerpo entero deben conectarse antes de instalar el deslizador en el riel transportador. Al hacer la conexión, verifique que la abertura del mosquetón esté completamente cerrada y trabada. El incumplimiento de todas o cualquiera de estas instrucciones puede dar lugar a lesiones graves o mortales.

9.0 COMO ASCENDER POR EL RIEL

Paso 1

Verifique que el deslizador esté posicionado hacia arriba. Coloque la chapa superior del deslizador alrededor de la sección del riel (véase la FIGURA 4).

Paso 2

Alinee la chapa inferior del deslizador sobre el riel asegurándose de que tanto la chapa superior del deslizador como la inferior queden instaladas en el riel (FIGURA 5).

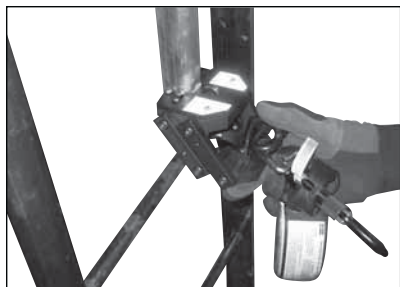


FIGURA 4

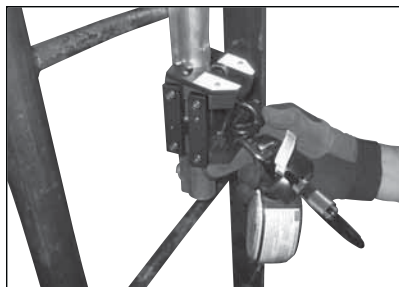


FIGURA 5

9.1 Ascender (subir hacia la parte superior del sistema de riel):

Para ascender por la escalera, suba aplicando algo de fuerza hacia afuera, de modo de tirar del mosquetón y alejarlo del riel. El deslizador debe seguir al escalador en su ascenso por el riel.

⚠ ADVERTENCIA

No se desconecte del deslizador en ningún momento mientras asciende por el riel, a menos que el escalador esté libre de cualquier peligro o conectado a un sistema de detención de caídas secundario (es decir, una cuerda que amortigüe el impacto). Si el deslizador se traba, baje y aléjese del riel para recuperar la movilidad del deslizador. Continúe ascendiendo según se ha indicado. Desconectarse del deslizador mientras se asciende por el riel puede dar lugar a lesiones personales graves o mortales.

9.2 Descender (alejarse de la parte superior del sistema de riel):

Para descender por la escalera, baje gradualmente aplicando algo de fuerza en dirección al riel. Deje que el deslizador “dirija” al escalador en el descenso. Descender fuera de posición (inclinándose demasiado hacia atrás) hará que se trabe el deslizador en el riel. Si se traba el deslizador, suba un poco inclinándose hacia el riel para soltar el deslizador, y continúe descendiendo por la escalera.

9.3 COMO SOLTARSE DEL SISTEMA:

Uno de los aspectos más arriesgados del ascenso es bajarse de la parte superior de la escalera. El SISTEMA SAF-T-CLIMB® incluye una SECCION SAF-T-PIVOT en su parte superior. Esta sección le permite girar sin riesgos hasta alcanzar una superficie segura ANTES de soltarse del SISTEMA SAF-T-CLIMB®.

⚠ ADVERTENCIA

BYa que bajarse de la parte superior de una escalera puede ser tan peligroso, es esencial que el usuario no inicie ni intente el ascenso hasta que tenga y sepa usar la SECCION SAF-T-PIVOT. Si el escalador trata de bajarse de la parte superior de una escalera sin usar la SECCION SAF-T-PIVOT o sin tener una cuerda de seguridad y su propia cuerda atadas a un punto de amarre adecuado, puede sufrir lesiones personales graves o mortales. Escoja cuidadosamente el punto de amarre; debe ser seguro e independiente de otros puntos de amarre. El reglamento OSHA 29 CFR 1926.104 exige que el punto de amarre tenga la capacidad de sostener un peso muerto mínimo de 2449.40 kg.

Si el ascenso no termina en esta sección de pivote y usted no logra apoyar firmemente los pies antes de quitarse el deslizador del arnés, consulte con North sobre cómo instalar la SECCION SAF-T-PIVOT.

1. Cuando llegue al final del ascenso, gire por la escalera o por encima de la barandilla o la pared ANTES de soltarse del sistema.

ADVERTENCIA

Asegúrese de girar por la escalera o por encima de la barandilla antes de soltarse del sistema. No hacerlo puede dar lugar a lesiones graves o mortales.

La sección Saf-T-Pivot al final del ascenso, por encima de la superficie de llegada, está diseñada para permitir que el escalador y el deslizador giren completamente en torno al riel. Debe haber apoyado firmemente los pies antes de soltarse del SISTEMA SAF-T-CLIMB®

ADVERTENCIA

Es absolutamente necesario soltarse del SISTEMA SAF-T-CLIMB® antes de bajarse de la escalera; válgase de una cuerda para atarse a un punto de amarre seguro ANTES de quitarse el deslizador del arnés. No usar una cuerda para atarse a un punto de amarre seguro antes de quitarse el deslizador del arnés puede dar lugar a lesiones graves o mortales. Escoja cuidadosamente el punto de amarre; debe ser seguro e independiente de otros puntos de amarre. El reglamento OSHA 29 CFR 1926.104 exige que el punto de amarre tenga la capacidad de sostener un peso muerto mínimo de 2449.40 kg.

La posición y ubicación del punto de amarre es esencial para cualquier sistema de protección contra caídas. El incumplimiento de las directrices de OSHA 29 CFR 1926.104 puede dar lugar a lesiones graves o mortales.

Cuando vuelva a subirse a la escalera para descender, coloque antes el deslizador en la SECCION SAF-T-PIVOT. Luego, instale el deslizador en el arnés ANTES de girar hacia atrás para montarse en la escalera. Girar hacia atrás para montarse en la escalera sin instalar antes el deslizador en el arnés puede dar lugar a lesiones graves o mortales.

10.0 USO DE ACCESORIOS ESPECIALES

10.1 Seccion SAF-T-MOUNT:

Puede ser necesaria para subirse o bajarse de una escalera en un balcón, una plataforma de trabajo u otros varios puntos a lo largo del ascenso. Estos puntos deben contar con una SECCION SAF-T-MOUNT instalada en el riel transportador.

ADVERTENCIA

Para subirse sin riesgos al riel transportador en una SECCION SAF-T-MOUNT, verifique que la flecha del deslizador apunte hacia ARRIBA. No verificar que la flecha del deslizador apunte hacia ARRIBA puede dar lugar a lesiones graves o mortales.

1. Instale manualmente la chapa superior y, luego, la chapa inferior en la parte ranurada del riel con la SECCION SAF-T-MOUNT por uno de los lados. Gire el deslizador 90° y deslícelo hacia arriba sobre la parte sólida del riel hasta trabarlo en su lugar.

2. Lleve el deslizador hasta nivelarlo al anillo en D del ombligo, justo por encima o por debajo de la SECCION SAF-T-MOUNT (por encima, si va a continuar ascendiendo por la escalera, y por debajo, si va a descender por la escalera). Conecte el mosquetón al centro del anillo SAF-T-CLIMB del ARNES COMFORT FIT SAF-T-CLIMB. Ya está preparado para continuar ascendiendo o descendiendo según se ha descrito.

3. Cuando sea necesario bajarse de la escalera en una SECCION SAF-T-MOUNT, gire primero alrededor de la escalera hasta apoyar los pies en una superficie firme. Desconecte el deslizador del ARNES COMFORT FIT SAF-T-CLIMB. Para quitar el deslizador del riel, llévelo a la Sección SAF-T-MOUNT girándolo 90° y separándolo del riel.

10.2 Equipo de extensión desmontable:

Puede ser necesario hacer que un escalador descienda por un agujero en el suelo tipo escotilla como, por ejemplo, un agujero de acceso. Para todos los descensos de este tipo, se debe contar con un equipo de extensión desmontable. A cada escalera se le debe instalar permanentemente un mandril en la parte superior del riel transportador.

1. Antes de instalar la extensión en el mandril para hacer el descenso, cerciórese de que la flecha del DESLIZADOR SAF-T-GRIP™ apunte hacia ARRIBA, y deslice el deslizador sobre el riel de extensión desmontable desde la parte inferior. Deslice el deslizador hasta la parte superior de la extensión, gírelo de manera que calce en una ranura y verifique que permanezca suspendido en su lugar por sí solo.

ADVERTENCIA

Si el deslizador se desliza por sí solo hasta la parte inferior del riel cuando usted lo suelta, ¡ESTA AL REVES! Vuelva a instalar el deslizador con la flecha hacia arriba. No volver a instalar el deslizador con la flecha hacia arriba puede dar lugar a lesiones graves o mortales.

ADVERTENCIA

El DESLIZADOR SAF-T-GRIP™ debe instalarse siempre en el riel transportador con la flecha hacia arriba. Si el deslizador se instala en el riel al revés (con la flecha hacia abajo), no se trabará ni podrá detener una caída, lo cual pudiera dar lugar a lesiones graves o mortales.

2. Coloque el riel de extensión sobre el mandril. Deslice la barra de sujeción por el riel de extensión y fije el riel en su lugar enroscando la barra de sujeción en la parte superior del mandril.

3. Luego de haber fijado firmemente la extensión al riel transportador, conecte el deslizador al ARNES COMFORT FIT SAF-T-CLIMB como se ha descrito, gire alrededor de la extensión y móntese con cuidado en la escalera.

11.0 COMO ASCENDER POR SECCIONES DE RIEL HORIZONTALES

11.1 ASCENSO:

Para ascender por un riel horizontal, debe capacitarse al escalador y garantizar que sepa cambiar sin problema a una sección de riel horizontal. El procedimiento de ascenso hacia el tope de la escalera es igual al de ascenso por una sección de riel vertical. Si en algún momento se traba el deslizador en el riel, baje y sepárese ligeramente para soltar el deslizador y continúe ascendiendo por la escalera.

11.2 Descenso:

Al descender por un sistema posicionado horizontalmente, el escalador debe asegurarse que el viajero permanezca paralelo. El operador debe inclinarse en dirección al riel y usar el mosquetón para presionar el deslizador hacia abajo. Si en algún momento se traba el deslizador en el riel, suba y acérquese ligeramente para soltar el deslizador y continúe descendiendo por la escalera. El usuario debe mantener tres puntos de contacto con la escalera.

ADVERTENCIA

El usuario o el supervisor tienen a su cargo garantizar que todos los usuarios de cualquier sistema de protección contra caídas reciban la capacitación adecuada. La capacitación debe abarcar el uso, cuidado, restricciones, mantenimiento e inspección del equipo. Debe también designar al responsable de la supervisión y capacitación globales. Finalmente, debe abarcar todos los procedimientos y garantizar que el usuario alcance un entendimiento del equipo y de la tarea planteada. No proporcionarles al usuario la capacitación y supervisión adecuadas puede dar lugar a lesiones graves o mortales.

12.0 FRECUENCIA DE LA INSPECCION

ADVERTENCIA

Siempre antes de usar, el usuario debe inspeccionar el deslizador de acuerdo con las siguientes directrices.

Inspección formal: Una persona competente debe inspeccionar formalmente el deslizador al menos una vez al año (según lo define la OSHA). La inspección formal puede llevarse a cabo más a menudo dependiendo del uso, del entorno o de la experiencia del usuario. La persona competente debe establecer la frecuencia de la inspección formal. La inspección debe llevarse a cabo de acuerdo con las siguientes directrices. Si es necesario dar mantenimiento al deslizador, póngase en contacto con Honeywell Safety Products y solicite detalles del servicio.

Después de una caída: Debe discontinuarse el uso del deslizador inmediatamente y reemplazarse por uno nuevo. Sírvase ponerse en contacto con Honeywell Safety Products y solicitar detalles del servicio, si corresponde.

EL INCUMPLIMIENTO DE LOS CRITERIOS INDICADOS PARA LA INSPECCION PREVIA AL USO, EL USO NORMAL Y LA INSPECCION POSTERIOR A UNA CAIDA PUEDE DAR LUGAR A LESIONES GRAVES O MORTALES.

12.1 Directrices de inspeccion del deslizador SAF-T-GRIP™

- Verifique que los dos resortes de retorno situados en las patas laterales estén en buen estado y que devuelvan el deslizador a la posición de traba cuando esté paralelo al suelo
- Inspeccione todo el deslizador para detectar si está agrietado, doblado, deformado o excesivamente desgastado
- Verifique que todos los sujetadores estén firmes y sin signos de corrosión. Verifique que el amortiguador de energía tenga limpia la cubierta protectora que esté intacto y sin daños

- Verifique que el amortiguador de energía no se haya activado, cortado, quemado, deteriorado por acción de los rayos UV ni deformado en ninguna otra forma. Verifique que todas las costuras estén aún intactas y que las almohadillas de desgaste no estén perforadas
- Verifique que la abertura del mosquetón se abra, cierre y trabe correctamente
- Revise los resortes de las ruedas cargadas por resorte de la chapa superior. Verifique que los resortes hagan mover las ruedas en dirección al riel
- Verifique que todas las ruedas (rueda de fricción y cojinete) giren libremente
- Verifique que el dispositivo de bloqueo de orientación funcione y no tenga residuos
- Verifique que ningún diente o superficie de apriete tenga signos de desgaste excesivo
- Verifique que el mosquetón no se haya activado y esté intacto'

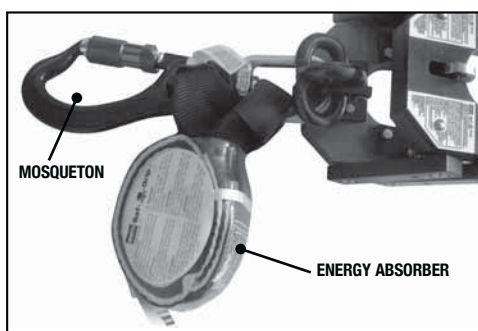


FIGURA 6



FIGURA 7

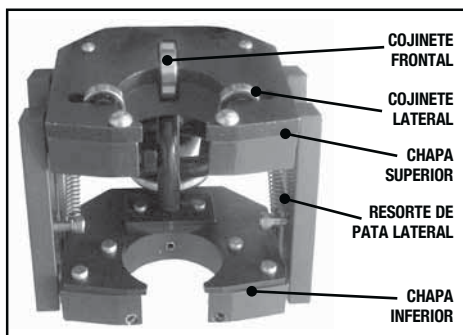


FIGURA 8

⚠ ADVERTENCIA

El incumplimiento de todas de las directrices de inspección anteriores correspondientes al DESLIZADOR SAF-T-GRIP™ puede dar lugar a lesiones graves o mortales.

⚠ ADVERTENCIA

El RIEL SAF-T-NOTCH debe inspeccionarse anualmente en toda su longitud. Es absolutamente esencial que las ranuras de todas las secciones del riel apunten hacia arriba (véase la ilustración). No inspeccionar anualmente y verificar que las ranuras del RIEL SAF-T-NOTCH apunten hacia arriba puede dar lugar a lesiones graves o mortales.

13.0 INSPECCION DEL RIEL SAF-T-NOTCH

13.1 Riel SAF-T-NOTCH

ES POSIBLE QUE EL DESLIZADOR SAF-T-GRIP™ NO SE TRABE DURANTE UNA CAIDA SI LAS RANURAS ESTAN POSICIONADAS INCORRECTAMENTE (o están llenas de cuerpos extraños).

1. El riel debe situarse verticalmente por el centro de los peldaños de la escalera, de modo que haya espacio a cada lado donde el escalador pueda apoyar los pies mientras asciende. Para instalar correctamente, se necesitan guías de alineación internas y barretas de conexión en cada junta del riel.

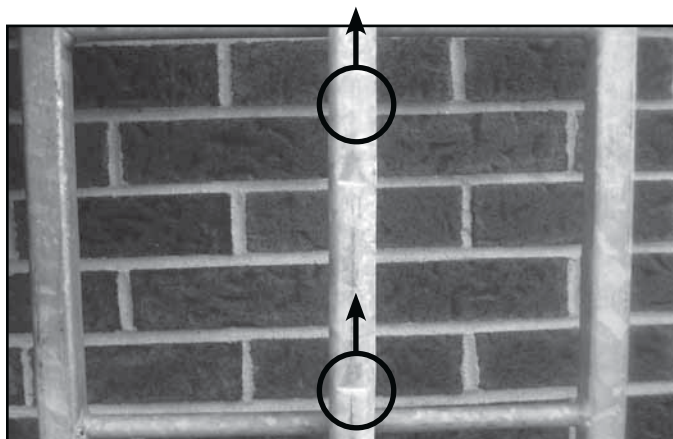


FIGURA 9: RANURAS INSTALADAS CORRECTAMENTE (APUNTAN HACIA ARRIBA)

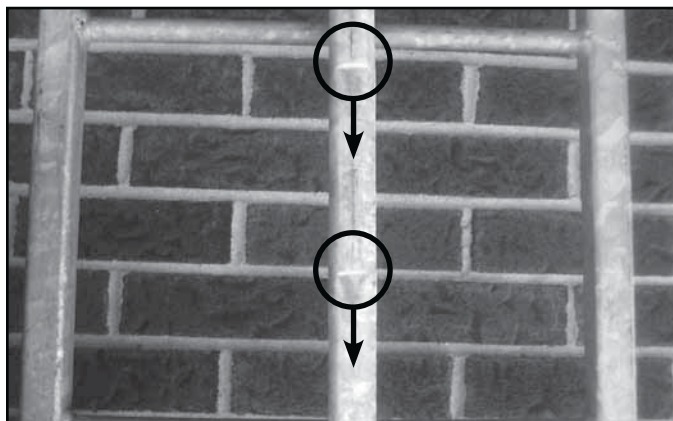


FIGURA 10: RANURAS INSTALADAS INCORRECTAMENTE (APUNTAN HACIA ABAJO)

- Las ranuras deben apuntar hacia la parte superior de la escalera. El DESLIZADOR SAF-T-GRIP™ no se activará durante una caída si las ranuras apuntan en otra dirección (véase la Figura 9 y 10).
- No debe haber grasa, pintura, hielo ni ninguna otra sustancia en las ranuras que pueda impedir la acción de traba del trinquete.
- Al menos anualmente, debe inspeccionarse todo el riel, incluida toda la tornillería de sujeción. Inspeccione las juntas para verificar que ajusten bien entre sí todas las secciones de riel y que estén presentes todas las barretas de conexión. Debe apretarse todas las tuercas y pernos que estén flojos. Si es necesario, debe corregirse la alineación del riel. Debe reemplazarse todo riel que esté dañado. Se considera dañado si tiene: mellas o agujeros evidentes, inflexiones o deformaciones, ranuras rotas y pasadores pelados.
- Verifique que esté correctamente instalada la tornillería (la Figura 9 muestra un riel galvanizado y la Figura 10 muestra rieles de acero inoxidable y de aluminio).

Si la inspección revela alguna condición de inseguridad o defecto, descontinúe el uso del deslizador y póngase en contacto con Honeywell Safety Products.

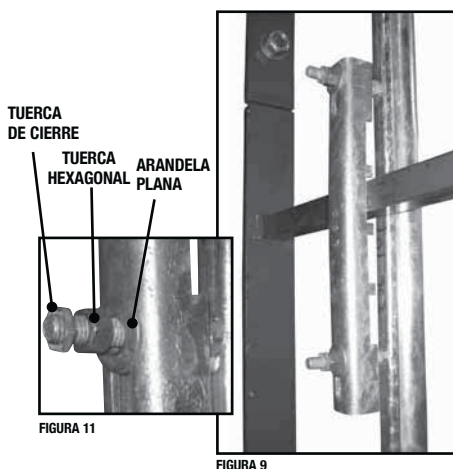


FIGURA 9

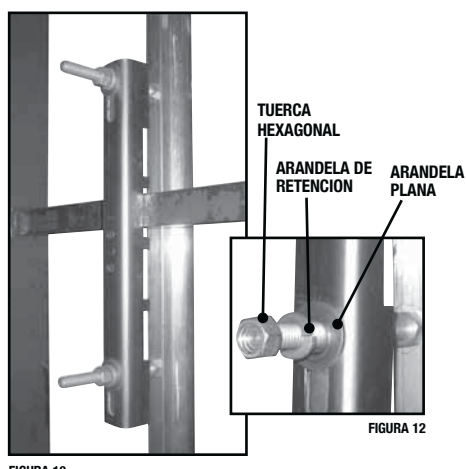


FIGURA 10

FIGURA 12

⚠ ADVERTENCIA

No debe usarse rieles que tengan ninguno de los defectos descritos hasta que se hayan corregido. Toda pieza del riel que haya formado parte de una caída o una prueba de caída debe reemplazarse de inmediato por una nueva. Los esfuerzos que se aplican en estas situaciones pueden hacer que resulte inseguro utilizar el riel. Debe inspeccionarse minuciosamente el riel en toda su longitud para determinar si se ha aflojado la tornillería de sujeción como consecuencia de la caída. El incumplimiento de cualquiera de estas instrucciones puede dar lugar a lesiones graves o mortales.

14.0 MANTENIMIENTO Y CUIDADO

Guarde siempre el equipo en un entorno limpio, seco, libre de agentes corrosivos y vapores nocivos, y fuera de la radiación directa del sol.

14.1 Mosqueton SAF-T-GRIP™

Honeywell Safety Products recomienda limpiar el equipo de seguridad periódicamente. La limpieza debe efectuarse conjuntamente con las inspecciones de verificación.

Está a disposición de los usuarios una caja de almacenamiento a prueba de intemperie para los equipos. Sírvase ponerse en contacto con Honeywell Safety Products y solicitar más información.

⚠ ADVERTENCIA

Limpieza: Si está sucio, lave con agua tibia de uso doméstico (a una temperatura máxima de 400°C) y un detergente suave diluido adecuadamente (margen de pH entre 5.5 y 8.5). Deje secar en forma natural, alejado de fuentes de calor. No limpiar correctamente el mosquetón puede producirle desperfectos que, a su vez, pueden dar lugar a lesiones graves o mortales.

Lubricación: Utilice sólo un lubricante silicónico para lubricar la abertura y el mecanismo de giro. La lubricación debe efectuarse luego de la limpieza. Asegúrese que el lubricante no haga contacto con ninguno de los elementos de cinta o banda del sistema a los que se fije el conector. La lubricación incorrecta del mosquetón puede producirle desperfectos que pueden dar lugar a lesiones graves o mortales.

La limpieza y la lubricación pueden corregir defectos de accionamiento del mecanismo de la abertura. Si no es así, reemplace el conector inmediatamente. Un defecto en el accionamiento del mecanismo de la abertura puede hacer inseguro el uso de este producto. No reemplazar inmediatamente el conector si la abertura no funciona correctamente puede dar lugar a lesiones personales graves o mortales.

Desinfección: Desinfecte con un desinfectante que contenga compuestos de amonio cuaternario reforzados con clorohexidina (p. ej., Savlon) en cantidad suficiente para lograr su efecto. Remoje el producto 1 hora en la solución recomendada por el fabricante del desinfectante para uso general usando agua limpia cuya temperatura no sobrepase de 200°C y, luego, enjuague totalmente. No limpiar ni desinfectar correctamente los elementos del producto puede hacer que se deterioren, lo que, a su vez, puede dar lugar a lesiones graves o mortales.

Almacenamiento: Luego de la limpieza de rigor, guarde fuera de su empaque en un lugar fresco, seco y oscuro en un entorno químicamente neutro y alejado de calor excesivo o fuentes de calor, mucha humedad, aristas cortantes, agentes corrosivos y cualquier otra causa de deterioro. No guarde mojado. Guardar este producto mojado o húmedo o en un entorno húmedo puede producirle desperfectos que, a su vez, pueden dar lugar a lesiones graves o mortales.

Es importante eliminar la suciedad y la mugre superficiales del producto, ya que la suciedad acumulada puede ocultar daños y reducir la duración del deslizador. No eliminar la suciedad y la mugre superficiales puede producir desperfectos en los elementos de este producto que, a su vez, pueden dar lugar a lesiones graves o mortales.



by Honeywell

Registro de Inspección del Sistema de Prevención de Caídas Saf-T-Climb®



Siempre lea el manual de instrucciones antes de usar. Todas las inspecciones deben ser realizadas por personas competentes de acuerdo con OSHA. Igualmente, las escaleras deben inspeccionarse de acuerdo con OSHA y las inspecciones anuales deben realizarse según se indica. El incumplimiento de estas normas puede dar lugar a lesiones personales graves o mortales.

FECHA DE INSPECCION: _____

FECHA DE INSTALACION: _____

ELEMENTOS QUE INSPECCIONAR	INSPECCIONADO POR	APROBADO/ REPROBADO	DEFICIENCIAS OBSERVADAS	MEDIDA CORRECTIVA	MANTENIMIENTO REALIZADO	FECHA DE REALIZACION DEL MANTENIMIENTO	NOTAS:
Posición del riel en la escalera							
Orientación de las ranuras del riel							
Sustancias dentro de las ranuras							
Alineación del riel en las juntas							
Pernos y tuercas flojos							
Daños en las ranuras o el riel*							
Espacio entre las abrazaderas de los pedales**							
Anchura de pedaleo designada*							
Pasadores doblados en las abrazaderas							
Contratuercas en los pasadores (sobre abrazaderas de pedaleo galvanizadas)							

*Hace referencia a los detalles de los procedimientos de inspección en el manual de instrucciones (p. 88)

**Hace referencia a las instrucciones de instalación del sistema de prevención de caídas Saf-T-Climb (p. 1)



by Honeywell

Registro de Inspección del Sistema de Prevención de Caídas Saf-T-Climb®



Siempre lea el manual de instrucciones antes de usar. Todas las inspecciones deben ser realizadas por personas competentes de acuerdo con OSHA. Igualmente, las escaleras deben inspeccionarse de acuerdo con OSHA y las inspecciones anuales deben realizarse según se indica. El incumplimiento de estas normas puede dar lugar a lesiones personales graves o mortales.

FECHA DE INSPECCIÓN: _____

FECHA DE INSTALACIÓN: _____

ELEMENTOS QUE INSPECCIONAR	INSPECCIONADO POR	APROBADO/ REPROBADO	DEFICIENCIAS OBSERVADAS	MEDIDA CORRECTIVA	MANTENIMIENTO REALIZADO	FECHA DE REALIZACIÓN DEL MANTENIMIENTO	NOTAS:
Chapa superior							
Chapa inferior							
Resortes de retorno							
Patas laterales							
Todos los reguladores (comanches, pasadores de resorte, tornillos)							
Amortiguador de choque							
Mosquetón							
Todos los cojinetes (5)							
Resortes de la chapa superior							
Todos los dientes (4)							
Superficies de apriete							
Cinturón en U							

*Hacer referencia a los detalles de los procedimientos de inspección en el manual de instrucciones (p. 88)

**Hacer referencia a las instrucciones de instalación del sistema de prevención de caídas Saf-T-Climb (p. 1)



by Honeywell

Registro de Inspección del Sistema de Prevención de Caídas Saf-T-Climb®



Siempre lea el manual de instrucciones antes de usar. Todas las inspecciones deben ser realizadas por personas competentes de acuerdo con OSHA. Igualmente, las escaleras deben inspeccionarse de acuerdo con OSHA y las inspecciones anuales deben realizarse según se indica. El incumplimiento de estas normas puede dar lugar a lesiones personales graves o mortales.

FECHA DE INSPECCIÓN: _____
FECHA DE INSTALACIÓN: _____

SAF-T-MOUNTING (S) CHEREPONDIE	INSPECCIONADO POR	APROBADO/ REPROBADO	DEFICIENCIAS OBSERVADAS	MEDIDA CORRECTIVA	MANTENIMIENTO REALIZADO	FECHA DE REALIZACIÓN DEL MANTENIMIENTO	NOTAS
Verifique si se ha agrietado o dañado el para toldos							
El rol está alineado respecto al SAF-T-Mount							
La ranura no se ha dañado ni deformado							
PIVOTE	INSPECCIONADO POR	APROBADO/ REPROBADO	DEFICIENCIAS OBSERVADAS	MEDIDA CORRECTIVA	MANTENIMIENTO REALIZADO	FECHA DE REALIZACIÓN DEL MANTENIMIENTO	NOTAS
Alineación del rol en los pivotes							
Daños en las ranuras o el rol							
Las abrazaderas de los pedálos están instaladas correctamente**							
Los pasadores de seasonen /apda funcionan correctamente							
Alineación del rol en los pivotes	INSPECCIONADO POR	APROBADO/ REPROBADO	DEFICIENCIAS OBSERVADAS	MEDIDA CORRECTIVA	MANTENIMIENTO REALIZADO	FECHA DE REALIZACIÓN DEL MANTENIMIENTO	NOTAS
Daños en las ranuras o el rol							
Las abrazaderas de los pedálos están instaladas correctamente**							
Los pasadores de seasonen /apda funcionan correctamente							
No se han dañado ni la guía de alineación ni el manufi							
La barra de sujeción está funcionando							

**Hacer referencia a los detalles de los procedimientos de inspección en el manual de instrucciones (p. 89)

**Hacer referencia a las instrucciones de instalación del sistema de prevención de caídas Saf-T-Climb (p. 1)

16.0 NORMAS VARIAS DE ASCENSO SEGURO

⚠ ADVERTENCIA

1. Informe inmediatamente de cualquier pieza de tornillería floja que observe.
2. Nunca intente simular o ejemplificar una caída con un sujeto humano.
3. Debe discontinuarse inmediata y permanentemente el uso de todo arnés, cuerda o deslizador que haya recibido el impacto de una caída o se haya usado en una prueba de caída.
4. Toda pieza del RIEL SAF-T-NOTCH que haya formado parte de una caída debe considerarse insegura y reemplazarse inmediatamente, ya sea que muestre o no signos de haberse forzado durante la caída. Debe verificarse que no hayan sufrido daños las demás secciones del riel y la tornillería.
5. NUNCA debe someterse a pruebas de caída y tracción los equipos que vayan a utilizarse. Los esfuerzos a que se someten los equipos durante estas destructivas pruebas hacen que sea inseguro usarlos posteriormente. El equipo SAF-T-CLIMB® está certificado por CSA y cumple o sobrepasa las normas ANSI y OSHA correspondientes a equipos de prevención de caídas. Sin embargo, si desea realizar otras pruebas además de las que se practican en fábrica, sírvase ponerse en contacto con nosotros. Podemos probar el equipo de acuerdo con sus especificaciones. Debe discontinuarse inmediata y permanentemente el uso de toda parte del sistema que se haya utilizado en una prueba de caída.
6. Todos los equipos de seguridad no diseñados para ser instalados permanentemente deben guardarse en espacios frescos y secos alejados de una radiación solar excesiva. La exposición a la luz solar o al calor durante tiempo prolongado causa daños en los arneses y cuerdas.

El incumplimiento de todas o cualquiera de estas instrucciones y advertencias puede dar lugar a lesiones graves o mortales.

⚠ ADVERTENCIA

El deslizador SAF-T-GRIP™ debe instalarse siempre en el riel transportador con la flecha hacia ARRIBA. Si el deslizador se instala en el riel al revés (con la flecha hacia abajo), el trinquete no se trabará ni podrá detener una caída, lo cual puede dar lugar a lesiones graves o mortales.

17.0 GARANTIA

HONEYWELL SAFETY PRODUCTS GARANTIZA QUE LOS SISTEMAS DE PREVENCIÓN DE CAÍDAS SAF-T-CLIMB® NO PRESENTAN DEFECTOS DE MATERIALES O FABRICACIÓN. DE ACUERDO CON ESTA GARANTÍA, LA ÚNICA OBLIGACIÓN DE NORTH, A SU DISCRECIÓN EXCLUSIVA, ES REPARAR, REEMPLAZAR O REEMBOLSAR EL PRECIO DE VENTA DE TODA PIEZA NORTH QUE NORTH ENCUENTRE DEFECTUOSA, SIEMPRE Y CUANDO LA PIEZA SE DEVUELVA A HONEYWELL SAFETY PRODUCTS (26 DANSK COURT, TORONTO, ONTARIO, M9W 5V8) CON FLETE PAGADO POR ANTICIPADO. EL COMPRADOR SE RESPONSABILIZA A INSTALAR, MANTENER Y USAR CORRECTAMENTE EL SISTEMA, VERIFICAR LA COMPATIBILIDAD Y FIABILIDAD DE TODAS LAS PIEZAS NO FABRICADAS NI SUMINISTRADAS POR NORTH Y CORRER CON CUALQUIER OTRO RIESGO, SI LO HUBIERA, COMO, POR EJEMPLO, EL RIESGO DE CUALQUIER DAÑO DIRECTO, INDIRECTO O EMERGENTE QUE SEA CONSECUENCIA DEL USO, O DE LA INCAPACIDAD DE USAR, EL SISTEMA O CUALQUIERA DE SUS ELEMENTOS. ESTA GARANTÍA SUSTITUYE LAS GARANTÍAS IMPLÍCITAS DE COMERCIABILIDAD E IDONEIDAD PARA UN FIN PARTICULAR ASÍ COMO CUALQUIER OTRA GARANTÍA, EXPLÍCITA O IMPLÍCITA, Y NO PUEDE MODIFICARSE NI EXTENDERSE, A MENOS QUE LO HAGA POR ESCRITO UN EJECUTIVO AUTORIZADO DE NORTH.

Technical Service Numbers

Nombres service technique / Números Servicio Técnico

North and South America

Du Nord et Amérique du Sud / América del Norte y América del Sur
1-800-873-5242

Europe

Europe / Europa
+31 (0)118 656400

Manufacturing Facilities

Installations de fabrication / Fábricas

North and South America

Du Nord et Amérique du Sud / América del Norte y América del Sur

1345 15th Street
Franklin, PA 16323
USA
1-800-873-5242

Europe

Europe / Europa
Anodeweg 1
4338 RA Middelburg
The Netherlands
+31 (0)118 656400

Tijuana

Blv. Insurgentes No. 20551
Parque Industrial El Florido
C.P. 22244 Tijuana B.C. Mexico
1-800-873-5242



by Honeywell

www.millerfallprotection.com